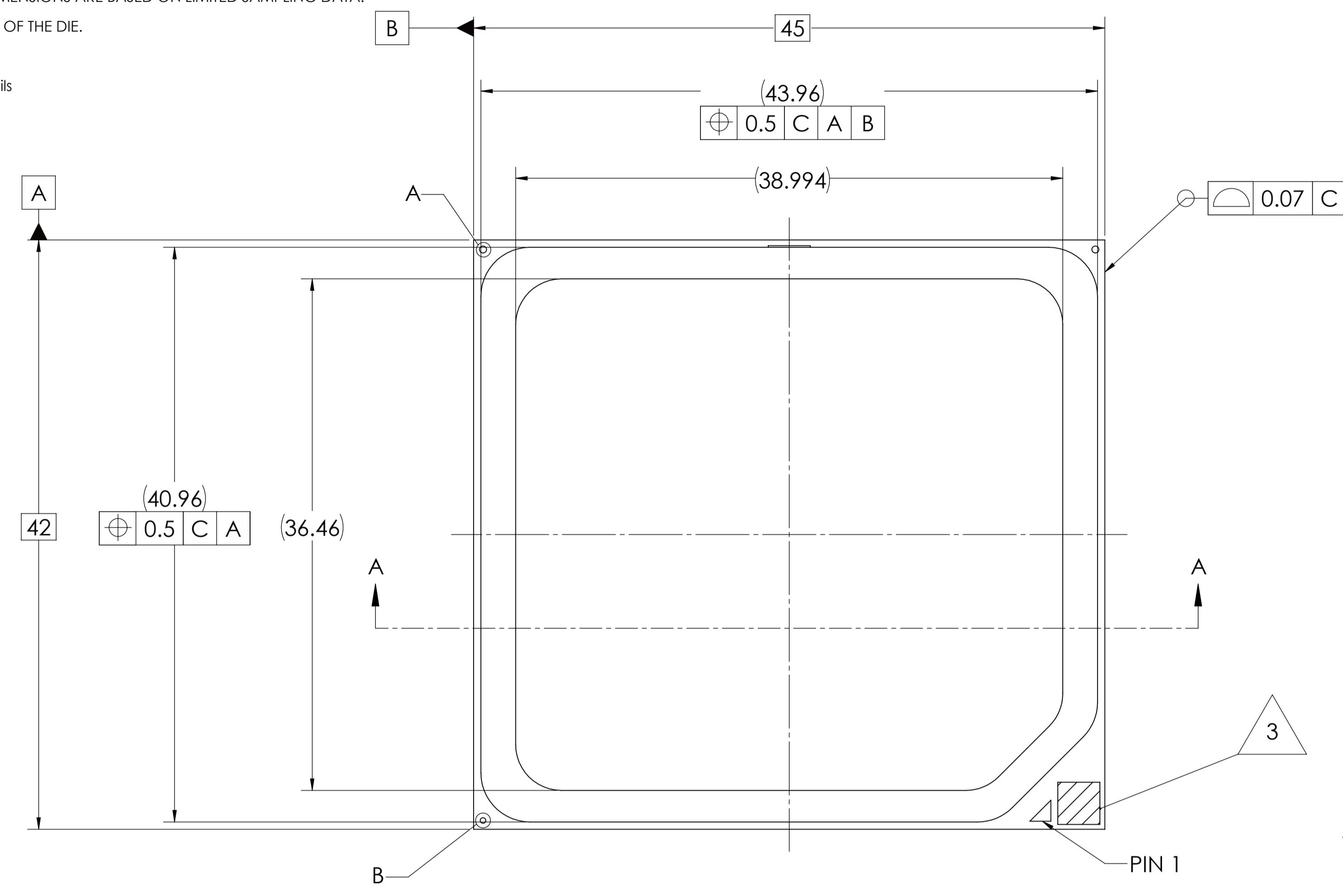
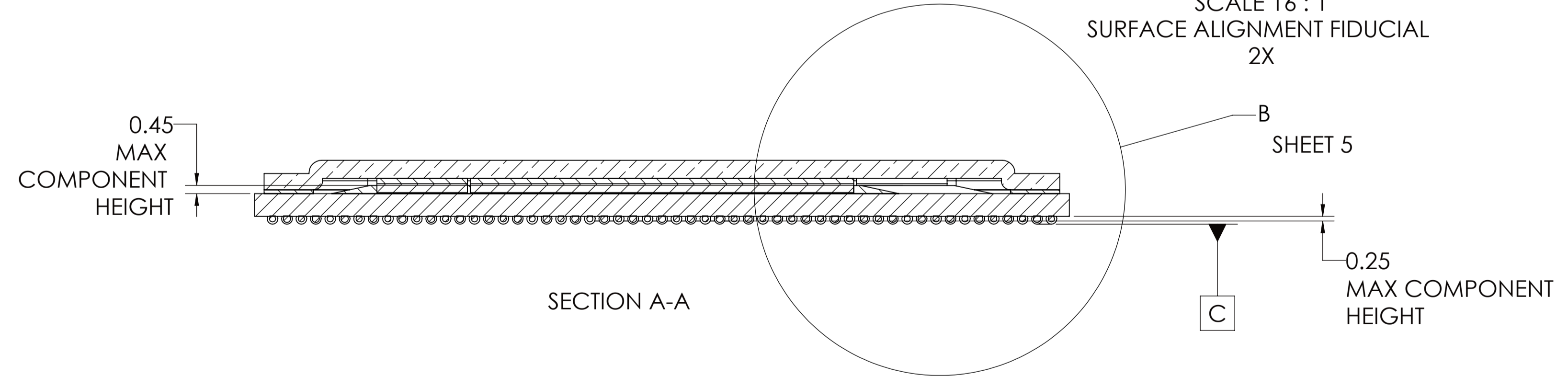


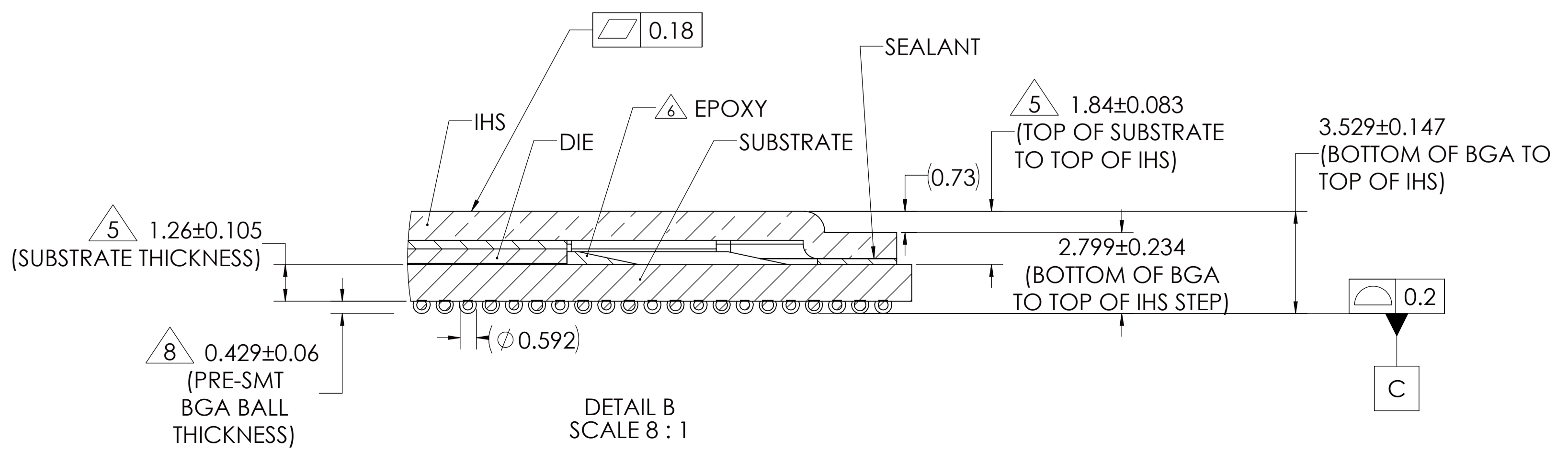
- NOTES:
1. ALL TOLERANCES ARE RSS (4 SIGMA).
 2. ALL Z STACK UP HEIGHT ESTIMATES ARE BASED ON PRE SMT BALL HEIGHT.
 3. MARK KOZ, NO COMPONENTS ALLOWED.
 4. NOMINAL PACKAGE MASS ESTIMATE = 24.471 GRAMS. ACTUAL WEIGHT MAY VARY DUE TO MANUFACTURING PROCESS.
 5. ALL Z-HEIGHT RELATED DIMENSIONS ARE BASED ON LIMITED SAMPLING DATA.
 6. EPOXY IS BELOW THE TOP OF THE DIE.
 7. LSC KIZ.
 8. INCOMNG BALL SIZE 22mils



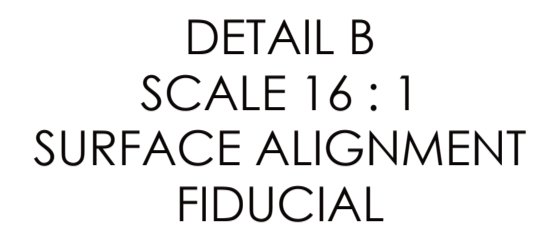
TOP VIEW



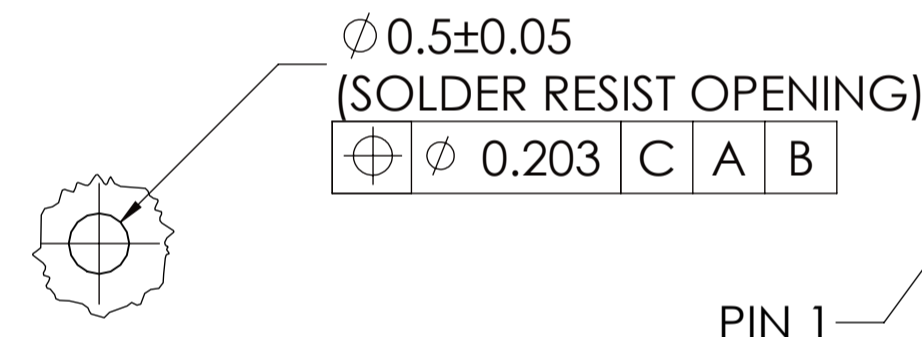
SECTION A-A



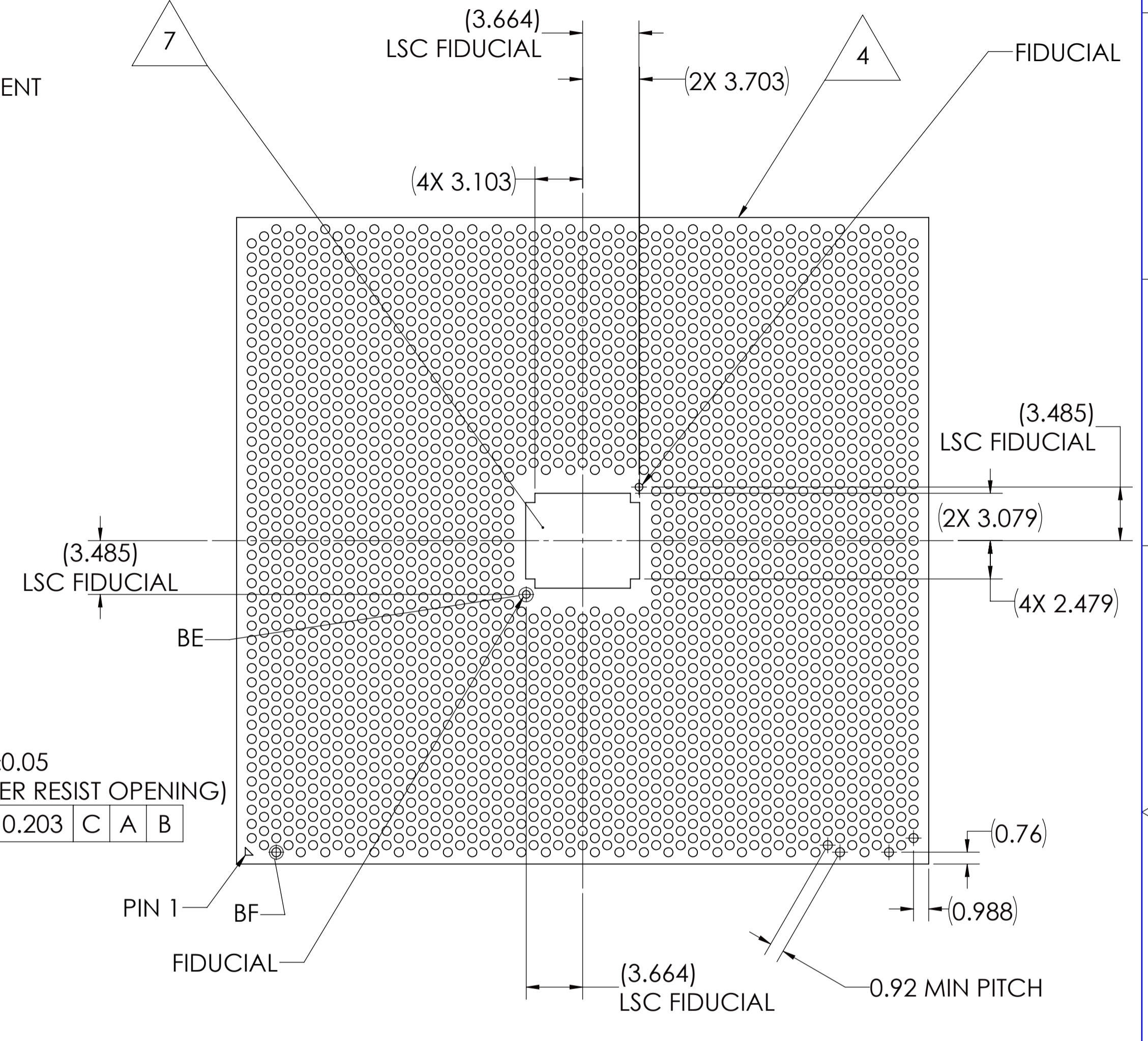
DETAIL B SCALE 8 : 1



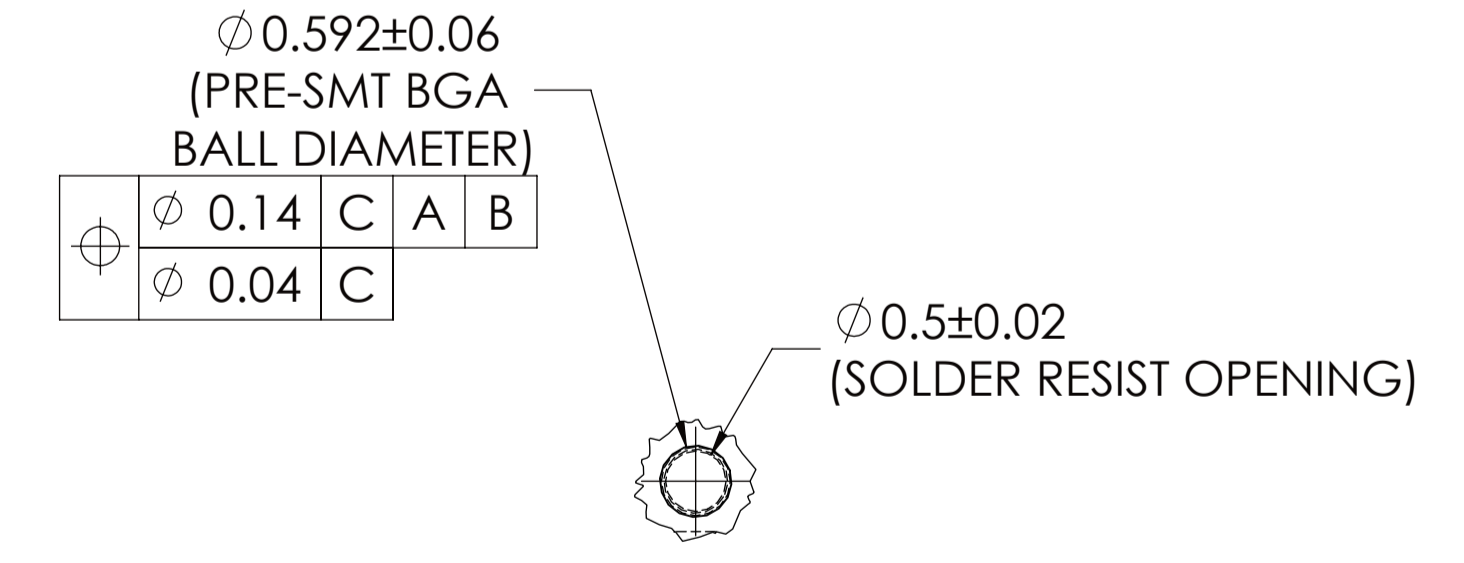
DETAIL B SCALE 16 : 1 SURFACE ALIGNMENT FIDUCIAL



DETAIL A SCALE 16 : 1 SURFACE ALIGNMENT FIDUCIAL 2X



BOTTOM VIEW



DETAIL BF SCALE 16 : 1 2340X

UNLESS OTHERWISE SPECIFIED: DIMENSIONS ARE IN MILLIMETERS. INTERPRET DIMENSIONS AND TOLERANCES PER ASME Y14.5-2009.	DESIGNED BY	DATE	DEPARTMENT	 2200 MISSION COLLEGE BLVD. P.O. BOX 58119 SANTA CLARA, CA 95052-8119
	DRAWN BY	DATE	TITLE	
	CHECKED BY	DATE	PACKAGE MECHANICAL DRAWING	
	APPROVED BY	DATE	45mm X 42mm, 5-2-5 12 LAYER STACKUP, 2340 BGA	
MATERIAL:	THIRD ANGLE PROJECTION			SIZE
FINISH: SEE NOTES				DRAWING NUMBER
				A1
				M71938
				REV 03
				SCALE: 4:1 DO NOT SCALE DRAWING SHEET 1 OF 2

ZONE	REV	DESCRIPTION	DATE	APPR.
-	1	PRELIMINARY RELEASE	01/14/2022	C JAVIER
SH1 A4	2	UPDATED COPLANARITY TO 0.20mm	8/3/2022	S MCKINNEY
-	3	REMOVE PRELIMINARY NOTE	2/15/2023	A DEB