



Transceiver Signal Integrity Development Kit

Stratix V GX Edition Reference Manual



101 Innovation Drive
San Jose, CA 95134
www.altera.com

MNL-01064-1.1



Subscribe

© 2012 Altera Corporation. All rights reserved. ALTERA, ARRIA, CYCLONE, HARDCOPY, MAX, MEGACORE, NIOS, QUARTUS and STRATIX words and logos are trademarks of Altera Corporation and registered in the U.S. Patent and Trademark Office and in other countries. All other words and logos identified as trademarks or service marks are the property of their respective holders as described at www.altera.com/common/legal.html. Altera warrants performance of its semiconductor products to current specifications in accordance with Altera's standard warranty, but reserves the right to make changes to any products and services at any time without notice. Altera assumes no responsibility or liability arising out of the application or use of any information, product, or service described herein except as expressly agreed to in writing by Altera. Altera customers are advised to obtain the latest version of device specifications before relying on any published information and before placing orders for products or services.



Chapter 1. Overview

General Description	1-1
Board Component Blocks	1-1
Development Board Block Diagram	1-4
Handling the Board	1-4

Chapter 2. Board Components

Introduction	2-1
Board Overview	2-2
Featured Device: Stratix V GX	2-6
I/O Resources	2-6
MAX II CPLD System Controller	2-9
Configuration, Status, and Setup Elements	2-14
Configuration	2-14
FPGA Programming over Embedded USB-Blaster	2-14
FPGA Programming from Flash Memory	2-15
FPGA Programming over External USB-Blaster	2-17
JTAG Header	2-17
Status Elements	2-18
Status LEDs	2-18
Setup Elements	2-19
FPP Configuration/MAX II Bypass DIP Switch	2-19
Program Select Jumper	2-20
Reset Push Button	2-20
CPU Reset Push Button	2-20
Clock Circuitry	2-21
Dedicated Transceiver Clocks	2-21
General-Purpose Clocks	2-22
Embedded USB-Blaster Clocks	2-23
Transceiver Channels	2-23
SMA Connectors	2-25
Backplane Connectors	2-26
General User Input/Output	2-29
User-Defined Push Buttons	2-29
User-Defined DIP Switch	2-30
User-Defined LEDs	2-30
Character LCD	2-31
Components and Interfaces	2-33
10/100/1000 Ethernet	2-33
Transceiver Interfaces	2-35
XFP Interface	2-35
SFP+ Interface	2-36
Flash Memory	2-37
Power Supply	2-39
Power Measurement	2-40
Power Distribution System	2-42
Temperature Sense	2-42
Statement of China-RoHS Compliance	2-43

Appendix A. Board Revision History

Engineering Silicon Version Differences	A-2
Power Supply	A-2
Power Measurement	A-3


Additional Information

Document Revision History	1-1
How to Contact Altera	1-1
Typographic Conventions	1-2

This document describes the hardware features of the Stratix® V GX transceiver signal integrity development board, including the detailed pin-out and component reference information required to create custom FPGA designs that interface with all components of the board.

General Description

The Transceiver Signal Integrity Development Kit, Stratix V GX Edition, allows you to evaluate the performance the Stratix V GX FPGA which is optimized for high-performance and high-bandwidth applications with integrated transceivers supporting backplane, chip-to-chip, and chip-to-module operation.

 For more information on the following topics, refer to the respective documents:

- Setting up the development board and using the included software, refer to the *Transceiver Signal Integrity Development Kit, Stratix V GX Edition User Guide*.
- Stratix V device family, refer to the *Stratix V Device Handbook*.

Board Component Blocks

The Stratix V GX transceiver signal integrity development board provides a hardware platform for evaluating the performance and signal integrity features of the Altera® Stratix V GX device. The development board features the following major component blocks:

- Altera Stratix V GX FPGA (5SGXEA7N2F40C2N) in a 1517-pin FineLine BGA Package (migratable to Stratix V GT FPGA 5SGTMC7K3F40C2)
 - 622,000 LEs
 - 358,500 adaptive logic modules (ALMs)
 - 50-Mbits embedded memory
 - 512 18x18-bit multipliers
 - 32 transceivers (12.5 Gbps)
 - 174 LVDS transmit channels
 - 28 phase locked loops (PLLs)
 - 696 user I/Os
 - 850-mV core voltage

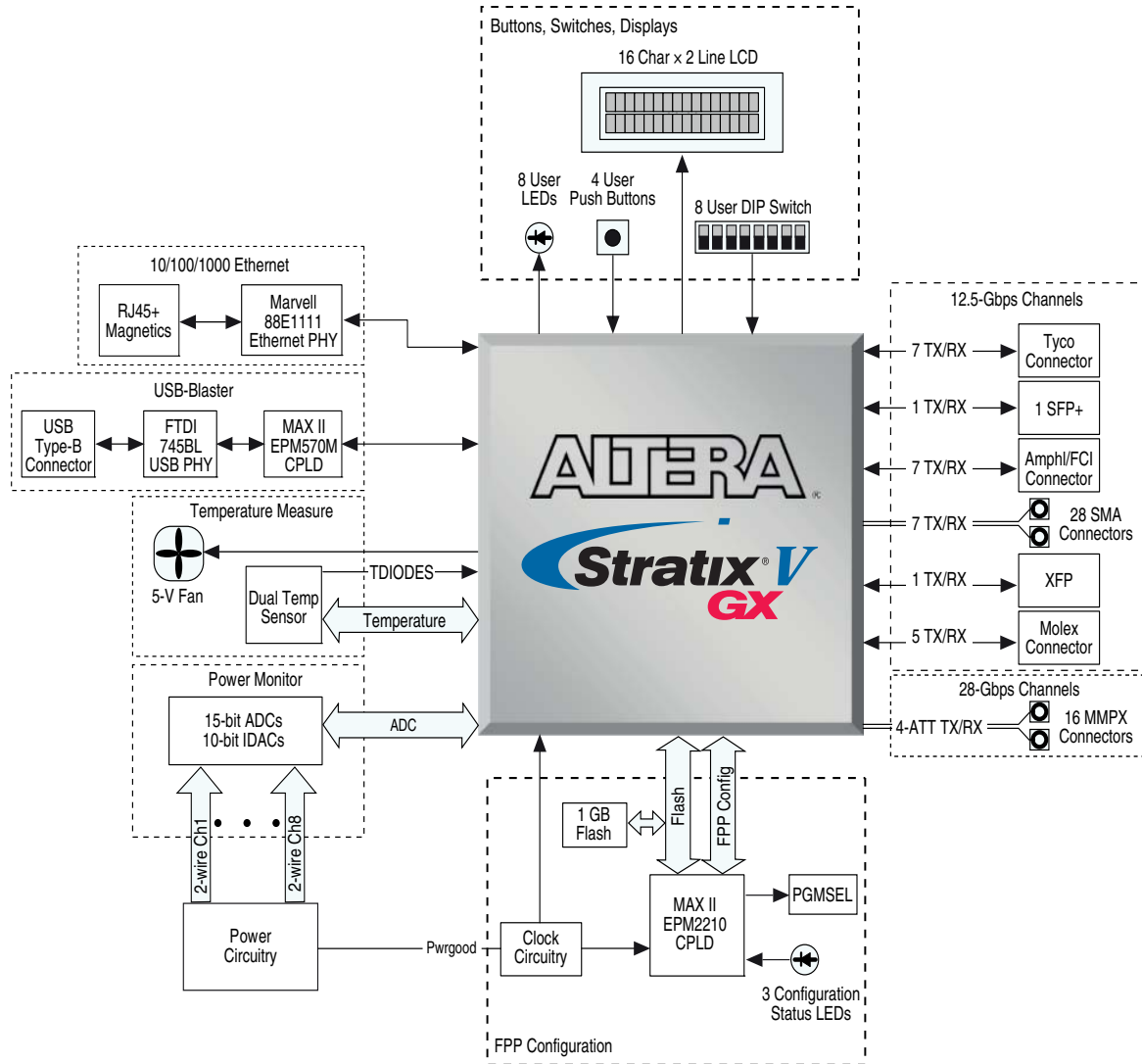
- FPGA configuration circuitry
 - MAX[®] II CPLD (EPM2210F256C3N) and flash Fast Passive Parallel (FPP) configuration
 - MAX II CPLD (EPM570M100C4N) for on-board USB-Blaster[™] to use with the Quartus[®] II Programmer
 - JTAG header for external USB-Blaster
 - Flash storage for two configuration images (factory and user)
- On-board clocking circuitry
 - 625-MHz, 644.53125-MHz, 706.25-MHz, and 875-MHz programmable oscillators for the high-speed transceiver reference clocks
 - 25/100/125/200 MHz jumper-selectable oscillator to the FPGA
 - 50-MHz general-purpose oscillator to the FPGA
 - One differential SMA clock input to the FPGA
 - Four differential SMA clock input to the transceivers
 - Spread spectrum clock input
 - Four clock trigger outputs
- Transceiver interfaces
 - Four 28-Gbps TX/RX channels to MMPX connectors (for Stratix V GT FPGA only)
 - Seven 12.5-Gbps TX/RX channels to SMA connectors
 - One 12.5-Gbps TX/RX channel to SFP+ cage
 - One 12.5-Gbps TX/RX channel to XFP cage
 - Five 12.5-Gbps TX/RX channels to Molex backplane connectors
 - Seven 12.5-Gbps TX/RX channels to Amphenol backplane connectors
 - Seven 12.5-Gbps TX/RX channels to Tyco backplane connectors
- Memory devices
 - One 1-Gbyte (GB) synchronous flash with a 16-bit data bus
- Communication ports
 - USB type-B connector
 - Gigabit Ethernet port and RJ-45 jack
 - LCD header
- General user I/O
 - 8 user LEDs
 - Three configuration status LEDs (factory, user, error)
 - Six Ethernet LEDs
 - One 16-character × 2-line character LCD display

- Push buttons and DIP switches
 - One CPU reset push button
 - One configuration reset push button
 - Four general user push buttons
 - One 8-position user DIP switch
 - One 6-position MSEL control DIP switch
 - One 4-position frequency select and spread spectrum select DIP switch
 - One 4-position transceiver clock input select DIP switch
 - Two 4-position power sequence enable select DIP switches
 - One 4-position VCCRT_GXB/VCCA_GXB voltage select DIP switch
- Heat sink and fan
 - 40-mm heat sink and fan combo
 - One over-temperature warning indicator LED
- Power
 - 14-V – 20-V (laptop) DC input
 - One power-on LED
 - One on/off slide power switch
 - Power monitor and trim capability
 - Power sequence capability
- System monitoring
 - Temperature—FPGA die
- Mechanical
 - 7.5" x 10.5" board dimension

Development Board Block Diagram

Figure 1-1 shows the block diagram of the Stratix V GX transceiver signal integrity development board.

Figure 1-1. Stratix V GX Transceiver Signal Integrity Development Board Block Diagram



Handling the Board

When handling the board, it is important to observe the following static discharge precaution:



Without proper anti-static handling, the board can be damaged. Therefore, use anti-static handling precautions when touching the board.

The Stratix V GX transceiver signal integrity development board must be stored between -40°C and 100°C . The recommended operating temperature is between 0°C and 55°C .

Introduction

This chapter introduces all the important components on the Stratix V GX transceiver signal integrity development board. [Figure 2-1](#) illustrates major component locations and [Table 2-1](#) provides a brief description of all features of the board.



A complete set of schematics, a physical layout database, and GERBER files for the development board reside in the Stratix V GX development kit documents directory.



For information about powering up the board and installing the demo software, refer to the *Transceiver Signal Integrity Development Kit, Stratix V GX Edition User Guide*.

This chapter consists of the following sections:

- “Board Overview”
- “Featured Device: Stratix V GX” on page 2-6
- “MAX II CPLD System Controller” on page 2-9
- “Configuration, Status, and Setup Elements” on page 2-14
- “Clock Circuitry” on page 2-21
- “General User Input/Output” on page 2-29
- “Components and Interfaces” on page 2-33
- “Flash Memory” on page 2-37
- “Power Supply” on page 2-39
- “Statement of China-RoHS Compliance” on page 2-43

Board Overview

This section provides an overview of the Stratix V GX transceiver signal integrity development board, including an annotated board image and component descriptions. Figure 2-1 provides an overview of the development board features.

Figure 2-1. Overview of the Stratix V GX Transceiver Signal Integrity Development Board Features

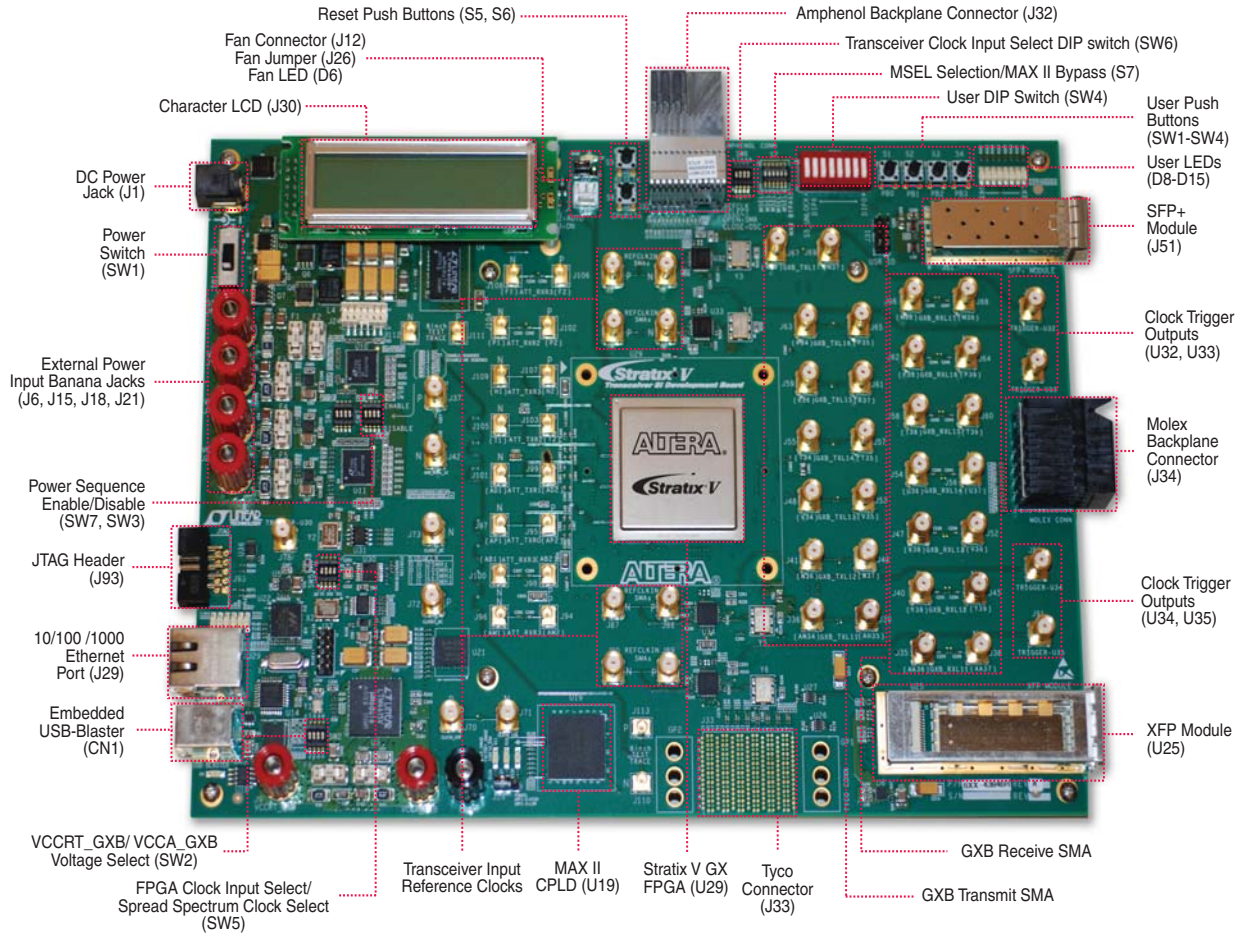


Table 2-1 describes the components and lists their corresponding board references.

Table 2-1. Transceiver Signal Integrity Development Kit Components (Part 1 of 4)

Board Reference	Type	Description
Featured Devices		
U29	FPGA	Stratix V GX FPGA (5SGXEA7N2F40C2N), 1517-pin BGA.
U19	CPLD	MAX II CPLD (EPM2210F256C3N), 256-pin BGA.
Configuration, Status, and Setup Elements		
S7 (pin 6-7)	MAX II bypass switch	Enables or disables the MAX II CPLD in the JTAG chain. The MAX II CPLD is disabled by default.

Table 2-1. Transceiver Signal Integrity Development Kit Components (Part 2 of 4)

Board Reference	Type	Description
J28	Program select jumper	Toggles the program LEDs to select which FPGA image to load on power-up; 0 selects factory image and 1 selects user-defined image.
S7	FPP configuration/MAX II bypass DIP switch	Select the configuration mode from the MAX II CPLD.
SW5	Spread spectrum clock settings DIP switch	DIP switch to set the spread spectrum output clock frequency and down-spread percentages.
SW2 (pin2-7)	VCCA_GXB voltage selection jumper	Jumper to select V_{CCA} voltage to the FPGA. When the jumper is set to close position, the V_{CCA} voltage is 3.0 V (default). When set to open position, the V_{CCA} voltage is 2.5 V.
SW2 (pin 1-8)	VCCRT voltage selection jumper	Jumper to select V_{CCRT} voltage to the FPGA. When the jumper is set to close position, the V_{CCRT} voltage is 1.0 V (default). When set to open position, the V_{CCRT} voltage is 0.85 V.
J26	Fan control jumper	Jumper to select whether the fan is always on or the FPGA automatically controls the fan. To set it to its default setting of always on, connect jumper pin 2-3. Connect jumper pin pin 1-2 to set the fan in auto mode.
D7	Fan LED	Indicates an over-temperature condition in the FPGA and a fan should be attached to the FPGA and running.
D8	Load LED	Illuminates during embedded USB-Blaster data transfers.
D9	Error LED	Illuminates when the FPGA configuration from flash fails.
D3	Power LED	Illuminates when 14-V power is present.
D12-D17	Ethernet LEDs	Shows the connection speed as well as transmit or receive activity.
Clock Circuitry		
Y3	Programmable oscillator	Feeds even-numbered REFCLKs on left side of the Stratix V GX device and trigger an output at board reference J81. The external input is available at board reference J79 and J80. The default frequency is 644.53125 MHz.
Y4	Programmable oscillator	Feeds odd-numbered REFCLKs on left side of the Stratix V GX device and trigger an output at board reference J85. The external input is available at board reference J83 and J84. The default frequency is 706.25 MHz.
Y5	Programmable oscillator	Feeds even-numbered REFCLKs on right side of the Stratix V GX device and trigger an output at board reference J88. The external input is available at board reference J86 and J87. The default frequency is 625 MHz.
Y6	Programmable oscillator	Feeds odd-numbered REFCLKs on right side of the Stratix V GX device and trigger an output at board reference J91. The external input is available at board reference J89 and J90. The default frequency is 875 MHz.
SW6	Transceiver clock input select DIP switch	DIP switch to select the SMA or oscillator as the clock input.
Y2	50-MHz oscillator	50.000-MHz crystal oscillator for general purpose logic.
X3	25/100/125/200-MHz core clock selectable oscillator	Selects the core clock frequency. The default frequency is 100 MHz.
SW5	Spread spectrum selection switch	Select either the core or spread spectrum clock. Pin 1-2 selects S0 and S1 while pin 3-4 selects SS0 and SS1.

Table 2-1. Transceiver Signal Integrity Development Kit Components (Part 3 of 4)

Board Reference	Type	Description
J70 and J71	External core clock input	SMA external input at CLK10 p/n.
J72 and J73	External core clock output	SMA external output at FPLL/IO4D.
Transceiver Interfaces		
J36, J39, J41, J46, J48, J53, J55, J57, J59, J61, J63, J65, J67, J69	GXB transmit channel	Transceiver GXB transmit channels connected to SMA.
J35, J37, J38, J40, J42, J45, J47, J52, J54, J56, J58, J60, J62, J64, J66, J68	GXB receive channel	Transceiver GXB receive channels connected to SMA.
J51	Transceiver optical interface	Transceiver receive and transmit channel connected to the Small Form-Factor Pluggable (SFP+) module.
U25	Transceiver optical interface	Transceiver receive and transmit channel connected to the XFP module.
Transceiver Interfaces – Backplane Connectors		
J33	10Gbase-KR reference backplane	7 transceiver-channel pairs, right angle receptacle for Tyco backplane connector.
J34	10Gbase-KR reference backplane	5 transceiver-channel pairs, right angle receptacle for Molex Impact backplane connector.
J32	10Gbase-KR reference backplane	7 transceiver-channel pairs, right angle receptacle for Amphenol backplane connector.
Transceiver Interfaces – Stratix V GT		
J94, J96, J98, J100, J102, J104, J106, J108	Advanced transceiver interface	Transceiver GTB receive channels connected to the MMPX connectors.
J95, J97, J99, J101, J103, J105, J107, J109	Advanced transceiver interface	Transceiver GTB transmit channels connected to the MMPX connectors.
J110, J111, J112, J113	Transceiver test trace	Transceiver GTB receive and transmit channels connected to the MMPX connectors with an eight inch test trace.
General User Input and Output		
D18-D25	User LEDs	8 user LEDs. Illuminates when driven low.
SW4	User DIP switch	Octal user DIP switches. When the switch is open, a logic 0 is selected.
S5	Configuration reset push button	The default reset for the MAX II CPLD System Controller.
S6	CPU reset push button	The default reset for the FPGA logic.
S1-S4	General user push buttons	Four user push buttons. Driven low when pressed .
J30	Character LCD header	A single 14-pin 0.1" pitch dual-row header which interfaces to the 16 character × 2 line LCD module.

Table 2–1. Transceiver Signal Integrity Development Kit Components (Part 4 of 4)

Board Reference	Type	Description
Memory Devices		
U21	Flash memory	Micron PC28F00AP30BF, 1-GB CFI NOR flash memory.
U17	EEPROM	Microchip Technology Inc. 93LC46B/SNG-ND, 64x16 EEPROM SO.
Communication Ports		
J29	Gigabit Ethernet port	RJ-45 connector which provides a 10/100/1000 Ethernet connection through a Marvell 88E1111 PHY and the FPGA-based Altera Triple Speed Ethernet MAC MegaCore function in SGMII mode.
J93	JTAG header	JTAG header for connecting an Altera USB-Blaster dongle to program the FPGA and MAX II CPLD devices. The embedded USB-Blaster is disabled when you connect the USB-Blaster to the JTAG header.
CN1	USB Type-B connector	Connects a type-B USB cable to enable the JTAG embedded USB-Blaster to program the FPGA and MAX II CPLD devices.
Power Supply		
J1	DC input jack	14-V – 20-V DC female input power jack. Accepts a 2.5-mm male center-positive barrel from 14-V DC power supply.
SW1	Power switch	Switch to power on/off the board.
J6	S5GX_VCC (0.85 V/0.9 V) banana jack	Banana jack for supplying external V_{CC} power to the FPGA. Fuses F1 and F2 must be removed prior to supplying external power to this banana jack.
J12	VCCA_GXB (2.5 V/3.3 V) banana jack	Banana jack for supplying external V_{CCA} power to the FPGA. Fuse F7 must be removed prior to supplying external power to this banana jack.
J9	VCCRT_GXB (0.85 V/1.0 V) banana jack	Banana jack for supplying external V_{CCRT_GXB} power to the FPGA. Fuse F6 must be removed prior to supplying external power to this banana jack.
J15	VCCR_GTB (1.0 V) banana jack	Banana jack for supplying external V_{CCR_GTB} power to the FPGA. Fuse F3 must be removed prior to supplying external power to this banana jack.
J21	VCCL_GTB (1.0 V) banana jack	Banana jack for supplying external V_{CCL_GTB} power to the FPGA. Fuse F5 must be removed prior to supplying external power to this banana jack.
J18	VCCT_GTB (1.0 V) banana jack	Banana jack for supplying external V_{CCT_GTB} power to the FPGA. Fuse F4 must be removed prior to supplying external power to this banana jack.
J3	Ground banana jack	Banana jack connected to ground.
U10 and U11	Power monitor devices	Linear Technology LTC2978, octal PMBus power supply monitor and controller.

Featured Device: Stratix V GX

The Stratix V GX development board features the Stratix V GX 5SGXEA7N2F40C2N device (U29) in a 1517-pin FineLine BGA package.

 For more information about the Stratix V device family, refer to the *Stratix V Device Handbook*.

Table 2-2 describes the features of the Stratix V GX 5SGXEA7N2F40C2N device.

Table 2-2. Stratix V GX 5SGXEA7N2F40C2N Features

ALMs	Equivalent LEs	Registers	M20K Blocks	MLAB Blocks (Mb)	18-bit × 18-bit Multipliers	PLLs	Transceiver Channels (12.5 Gbps)	Package Type
358,500	622,000	939,000	2,560	7.16	512	28	36	1517-pin FineLine BGA

Table 2-3 lists the Stratix V GX component reference and manufacturing information.

Table 2-3. Stratix V GX Component Reference and Manufacturing Information

Board Reference	Description	Manufacturer	Manufacturing Part Number	Manufacturer Website
U29	FPGA, Stratix V GX F1517, 622K LEs, lead-free	Altera Corporation	5SGXEA7N2F40C2N	www.altera.com

I/O Resources

Table 2-4 summarizes the FPGA I/O usage by function on the Stratix V GX transceiver signal integrity development board.

Table 2-4. Stratix V GX I/O Usage Summary (Part 1 of 3)

Function	I/O Type	I/O Count	Description
FPGA Transceiver Clocks			
Programmable differential clock	LVDS input	4	Differential REFCLK input to feed the even-numbered channels on the left side of the Stratix V GX device.
Programmable differential clock	LVDS input	4	Differential REFCLK input to feed the odd-numbered channels on the left side of the Stratix V GX device.
Programmable differential clock	LVDS input	4	Differential REFCLK input to feed the even-numbered channels on the right side of the Stratix V GX device.
Programmable differential clock	LVDS input	4	Differential REFCLK input to feed the odd-numbered channels on the right side of the Stratix V GX device.
External differential clock inputs	LVDS input	4 pairs	Differential REFCLK input for one SMA pair per clock buffer.
FPGA Global Clocks			
50-MHz clock	2.5-V CMOS input	1	Global clock input.

Table 2–4. Stratix V GX I/O Usage Summary (Part 2 of 3)

Function	I/O Type	I/O Count	Description
Spread Spectrum clock	2.5-V CMOS input	2	Differential global clock.
SMA differential clock input	LVDS input	2	Differential global clock.
Temperature Monitor			
Temperature sense diodes	Analog	2	Stratix V GX internal sense diode.
Power Monitor Devices			
LTC2978 controller	2.5-V CMOS	24	Octal PMBus power supply monitor and controller.
Temperature Measure			
MAX1619 interface	2.5V CMOS	4	Die and ambient temperature sense.
Fan			
FAN_On	2.5-V CMOS output	1	Fan control
FAN_LED	2.5-V CMOS output	1	Fan LED
USB-Blaster			
JTAG USB-Blaster or JTAG header	2.5-V CMOS	4	Built-in USB-Blaster or JTAG 0.1-mm header for debugging
FPP Configuration			
FPGA Dclk	2.5-V CMOS input	1	FPP Dclk
FPGA D[15:0]	2.5V CMOS	16	FPP data bus
MSEL [4:0]	2.5V CMOS	5	Dedicated configuration pins
NCONFIG	2.5V CMOS	1	Dedicated configuration pins
NSTATUS	2.5V CMOS	1	Dedicated configuration pins
NCE	2.5V CMOS	1	Dedicated configuration pins
CONFIG_DONE	2.5V CMOS	1	Dedicated configuration pins
Flash Memory			
ADDR[26:1]	1.8-V CMOS output	26	Flash address bus
DATA[15:0]	1.8-V CMOS input/output	16	Flash data bus
FLASH_CEn	1.8-V CMOS output	1	Flash chip enable
FLASH_OEn	1.8-V CMOS output	1	Flash read strobe
FLASH_WEn	1.8-V CMOS output	1	Flash write strobe
FLASH_WAIT	1.8-V CMOS input	1	Flash ready or busy
FLASH_CLK	1.8-V CMOS output	1	Flash clock
FLASH_RSTn	1.8-V CMOS output	1	Flash reset
FLASH_ADVn	1.8-V CMOS output	1	Flash address valid
FLASH_WPn	1.8-V CMOS output	1	Flash write protect
Reset			
CPU_RESEn	2.5-V CMOS input	1	Nios® II CPU reset
Switches, Buttons, LEDs			
User push buttons	2.5-V CMOS input	4	4 user push buttons

Table 2-4. Stratix V GX I/O Usage Summary (Part 3 of 3)

Function	I/O Type	I/O Count	Description
User DIP switches	2.5-V CMOS input	8	8 user DIP switches
User LEDs	2.5-V CMOS output	8	8 user LEDs (green)
LCD			
16 Character × 2 Line LCD	5.0-V LVTTTL output	11	LCD
Ethernet			
TXD[3:0]	2.5-V CMOS output	4	Ethernet transmit RGMII data bus
TXEN	2.5-V CMOS output	1	Ethernet transmit enable
GTXCLK	2.5-V CMOS output	1	Ethernet transmit clock
RXD[3:0]	2.5-V CMOS input	4	Ethernet receive RGMII data bus
RXDV	2.5-V CMOS input	1	Receive data valid
RXCLK	2.5-V CMOS input	1	Receive clock
MDC	2.5-V CMOS input	1	Ethernet MII clock
MDIO	2.5-V CMOS inout	1	Ethernet MII data
ENET_SGMII_TXP/N	LVDS output	2	Ethernet SGMII transmit data positive/negative
ENET_SGMII_RXP/N	LVDS input	2	Ethernet SGMII receive data positive/negative
Transceivers			
28G channels to MMPX	1.4-V PCML	16	Transceiver channel
12.5G channels to Tyco backplane connector	1.4-V PCML	28	Transceiver channel
12.5G channels to Amphenol backplane connector	1.4-V PCML	28	Transceiver channel
12.5G channels to Molex backplane connector	1.4-V PCML	28	Transceiver channel
12.5G channels to SMA	1.4-V PCML	28	Transceiver channel
12.5G channels to a SFP+ cage	1.4-V PCML	4	Transceiver channel
12.5G channels to XFP cage	1.4-V PCML	4	Transceiver channel
Spares			
Spare[7:0]	2.5-V CMOS	8	Spare signals to the MAX II CPLD
Device I/O Total:		304	

MAX II CPLD System Controller

The board utilizes the EPM2210F256C3N System Controller, an Altera MAX II CPLD, for the following purposes:

- FPGA configuration from flash memory
- Temperature monitoring
- Fan control
- Virtual JTAG interface for PC-based power and temperature GUI
- Control registers for clocks
- Control registers for Remote System Update
- Register with CPLD design revision and board information (read-only)

Figure 2-2 illustrates the MAX II CPLD System Controller's functionality and external circuit connections as a block diagram.

Figure 2-2. MAX II CPLD System Controller Block Diagram

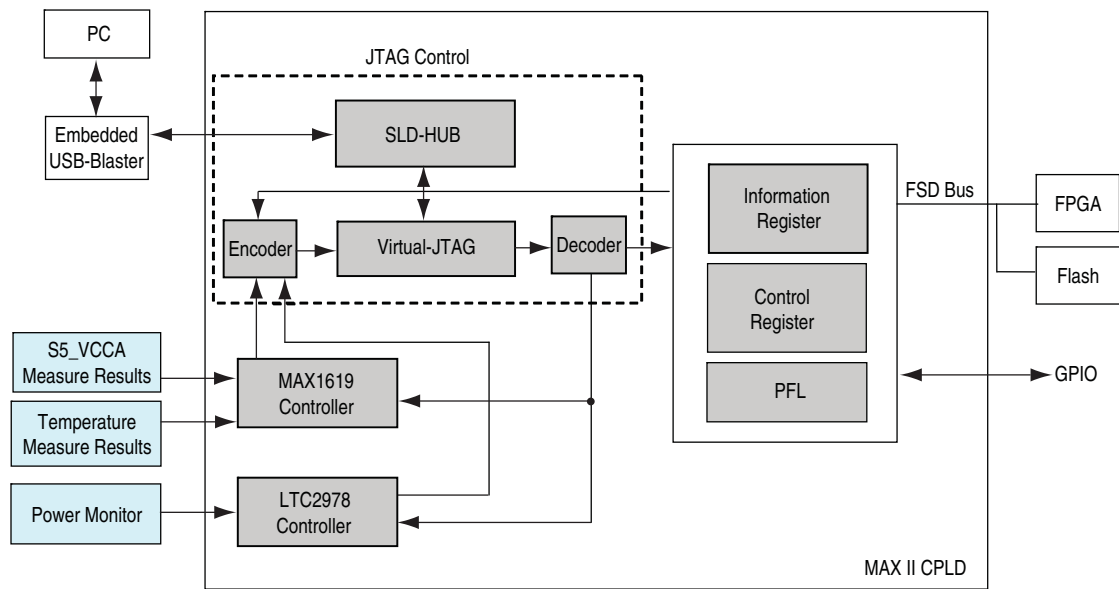


Table 2-5 lists the I/O signals present on the MAX II CPLD System Controller. The signal names and functions are relative to the MAX II device (U19).

Table 2-5. MAX II CPLD System Controller Device Pin-Out (Part 1 of 5)

Schematic Signal Name	MAX II CPLD Pin Number	Stratix V GX Pin Number	i/O Standard	Description
50MHZ_MAXLL_CLK	H5	—	2.5-V	50 MHz clock input
ALERTn	D2	E8	2.5-V	Temperature monitor alert
CONF_DONE	T13	AB12	2.5-V	Configuration done
CONFIG_D0	T11	AR33	2.5-V	Configuration data
CONFIG_D1	T10	AU32	2.5-V	Configuration data

Table 2-5. MAX II CPLD System Controller Device Pin-Out (Part 2 of 5)

Schematic Signal Name	MAX II CPLD Pin Number	Stratix V GX Pin Number	i/O Standard	Description
CONFIG_D2	P12	AT32	2.5-V	Configuration data
CONFIG_D3	P11	AW32	2.5-V	Configuration data
CONFIG_D4	R11	AV32	2.5-V	Configuration data
CONFIG_D5	R10	AM32	2.5-V	Configuration data
CONFIG_D6	N12	AL31	2.5-V	Configuration data
CONFIG_D7	P10	AN32	2.5-V	Configuration data
CONFIG_D8	H4	AN31	2.5-V	Configuration data
CONFIG_D9	J4	AM31	2.5-V	Configuration data
CONFIG_D10	J3	AL30	2.5-V	Configuration data
CONFIG_D11	K2	AK30	2.5-V	Configuration data
CONFIG_D12	K5	AJ30	2.5-V	Configuration data
CONFIG_D13	K4	AJ29	2.5-V	Configuration data
CONFIG_D14	K3	AJ28	2.5-V	Configuration data
CONFIG_D15	L5	AM29	2.5-V	Configuration data
CONFIG_ERR	R9	—	2.5-V	Configuration error
DCLK	T8	U28	2.5-V	Configuration clock
ENET_RSTn	A15	AT6	2.5-V	Ethernet LED
F_AD1	M16	AE14	2.5-V	Flash address bus
F_AD2	M15	AD14	2.5-V	Flash address bus
F_AD3	M14	AC13	2.5-V	Flash address bus
F_AD4	N16	AC12	2.5-V	Flash address bus
F_AD5	N15	AG14	2.5-V	Flash address bus
F_AD6	J16	AF14	2.5-V	Flash address bus
F_AD7	N13	AD11	2.5-V	Flash address bus
F_AD8	N14	AC11	2.5-V	Flash address bus
F_AD9	C14	AF11	2.5-V	Flash address bus
F_AD10	B12	AE11	2.5-V	Flash address bus
F_AD11	F15	AE13	2.5-V	Flash address bus
F_AD12	F16	AE12	2.5-V	Flash address bus
F_AD13	D16	AJ14	2.5-V	Flash address bus
F_AD14	A11	AH13	2.5-V	Flash address bus
F_AD15	A12	AG13	2.5-V	Flash address bus
F_AD16	B13	AF13	2.5-V	Flash address bus
F_AD17	E15	AJ13	2.5-V	Flash address bus
F_AD18	L14	AJ12	2.5-V	Flash address bus
F_AD19	J15	AH12	2.5-V	Flash address bus
F_AD20	D14	AG11	2.5-V	Flash address bus
F_AD21	K14	AK12	2.5-V	Flash address bus
F_AD22	D15	AK11	2.5-V	Flash address bus

Table 2-5. MAX II CPLD System Controller Device Pin-Out (Part 3 of 5)

Schematic Signal Name	MAX II CPLD Pin Number	Stratix V GX Pin Number	i/O Standard	Description
F_AD23	A13	AL12	2.5-V	Flash address bus
F_AD24	B14	AL11	2.5-V	Flash address bus
F_AD25	C13	AM13	2.5-V	Flash address bus
F_AD26	B16	AL13	2.5-V	Flash address bus
F_ADVn	P13	AP7	2.5-V	Flash address valid
F_BSYn	J14	AR7	2.5-V	Flash chip busy
F_CEn	P14	AP9	2.5-V	Flash chip enable
F_CLK	R16	AN6	2.5-V	Flash clock
F_D0	L15	AN11	2.5-V	Flash data bus
F_D1	L16	AM11	2.5-V	Flash data bus
F_D2	K15	AP12	2.5-V	Flash data bus
F_D3	K16	AN12	2.5-V	Flash data bus
F_D4	H16	AN10	2.5-V	Flash data bus
F_D5	H15	AM10	2.5-V	Flash data bus
F_D6	G16	AR11	2.5-V	Flash data bus
F_D7	G15	AR10	2.5-V	Flash data bus
F_D8	M13	AT12	2.5-V	Flash data bus
F_D9	L13	AU13	2.5-V	Flash data bus
F_D10	J13	AU12	2.5-V	Flash data bus
F_D11	H13	AU11	2.5-V	Flash data bus
F_D12	G13	AT11	2.5-V	Flash data bus
F_D13	F13	AW13	2.5-V	Flash data bus
F_D14	F14	AV13	2.5-V	Flash data bus
F_D15	E14	AW11	2.5-V	Flash data bus
F_OEn	P15	AN9	2.5-V	Flash output enable
F_RSTn	H14	AL8	2.5-V	Flash reset
F_WEn	G14	AM8	2.5-V	Flash write enable
F_WPn	T12	AP6	2.5-V	Flash write protect
FACTORY_IMAGE	R8	—	2.5-V	Factory image for configuration
FAN_CTRL	E3	D6	2.5-V	Fan control
FAN_LED	C3	C6	2.5-V	Fan LED
INIT_DONE	R13	AN33	2.5-V	FPGA initialization done.
JTAG_TCK	P3	AV34	2.5-V	JTAG chain clock
JTAG_TMS	N4	AU34	2.5-V	JTAG chain mode
MAX_2_MAX_INITDONE	H2	—	2.5-V	Control signal between the MAX II System Controller and the MAX II embedded USB-Blaster to indicate that initialization is done.
MAX_FPP_TDI	L6	—	2.5-V	Fast Passive Parallel (FPP) programming data in
MAX_FPP_TDO	M5	—	2.5-V	FPP programming data out

Table 2-5. MAX II CPLD System Controller Device Pin-Out (Part 4 of 5)

Schematic Signal Name	MAX II CPLD Pin Number	Stratix V GX Pin Number	i/O Standard	Description
MAXLL_BEN0	F5	AN15	2.5-V	Flash bus MAX II byte enable 0
MAXLL_BEN1	F2	AN14	2.5-V	Flash bus MAX II byte enable 1
MAXLL_BEN2	F6	AM14	2.5-V	Flash bus MAX II byte enable 2
MAXLL_BEN3	F1	AR14	2.5-V	Flash bus MAX II byte enable 3
MAXLL_CLK	G3	AR13	2.5-V	Flash bus MAX II clock
MAXLL_CS _n	G2	AR15	2.5-V	Flash bus MAX II chip select
MAXLL_OEn	G4	AP15	2.5-V	Flash bus MAX II output enable
MAXLL_WEn	G1	AT15	2.5-V	Flash bus MAX II write enable
MSEL0	D13	W12	2.5-V	DIP - FPGA mode select 0
MSEL1	K12	Y11	2.5-V	DIP - FPGA mode select 1
MSEL2	K13	AA12	2.5-V	DIP - FPGA mode select 2
MSEL3	L11	AA11	2.5-V	DIP - FPGA mode select 3
MSEL4	L12	W11	2.5-V	DIP - FPGA mode select 4
NCONFIG	R14	U26	2.5-V	FPGA configuration active LED
NSTATUS	R12	AL10	2.5-V	FPGA configuration ready status LED
OVERTEMP _n	E4	E7	2.5-V	Temperature monitor over-temperature indicator LED
PFL_STATUS	P4	—	2.5-V	Parallel Flash Loader (PFL) programming status
PGM0	T6	AW10	2.5-V	Flash memory PGM select indicator 0
PGM1	T5	AV10	2.5-V	Flash memory PGM select indicator 1
PGM2	T4	AR12	2.5-V	Flash memory PGM select indicator 2
PGMSEL	T7	—	2.5-V	Toggles the PGM_LED[0:2] sequence
PM1_FAULTB00	C4	U14	2.5-V	Power monitor bus
PM1_FAULTB01	C6	U13	2.5-V	Power monitor bus
PM1_FAULTB10	B3	R12	2.5-V	Power monitor bus
PM1_FAULTB11	C5	P11	2.5-V	Power monitor bus
PM2_FAULTB00	A2	N13	2.5-V	Power monitor bus
PM2_FAULTB01	D5	N12	2.5-V	Power monitor bus
PM2_FAULTB10	B1	R13	2.5-V	Power monitor bus
PM2_FAULTB11	D4	P13	2.5-V	Power monitor bus
PM_ALERTB	B4	L12	2.5-V	Power monitor alert
PM_CNTL0	C7	K12	2.5-V	Power monitor control bus
PM_CNTL1	A4	K13	2.5-V	Power monitor control bus
PM_PWRGD	D6	V12	2.5-V	Power monitor power
PM_RSTN	E6	J13	2.5-V	Power monitor reset
PM_SHARE_CLK	B5	M12	2.5-V	Power monitor clock
PR_DONE	B6	AB29	2.5-V	FPGA partial reconfiguration done
PR_ERROR	D7	AC27	2.5-V	FPGA partial reconfiguration error
PR_READY	A5	AD29	2.5-V	FPGA partial reconfiguration ready
PR_REQUEST	E7	AE29	2.5-V	FPGA partial reconfiguration request

Table 2-5. MAX II CPLD System Controller Device Pin-Out (Part 5 of 5)

Schematic Signal Name	MAX II CPLD Pin Number	Stratix V GX Pin Number	i/O Standard	Description
PWR_GOOD	J1	—	—	Power good signal to indicate that all voltage rails have come up to their proper levels.
RESETN	T2	—	2.5-V	FPGA reset LED
S5_RSTN	T15	AV19	2.5-V	FPGA reset
S5_SMBCLK_TEMP	D3	B8	2.5-V	Temperature monitor SMB clock
S5_SMBDATA_TEMP	C2	A8	2.5-V	Temperature monitor SMB data
SCL_OSC	D8	—	2.5-V	Configuration clock oscillator
SCL_PM	C8	L11	2.5-V	Configuration clock power monitor
SDA_OSC	B7	—	2.5-V	Configuration data oscillator
SDA_PM	A6	M11	2.5-V	Configuration data power monitor
SPARE0	A10	AH19	2.5-V	Spare signals to the MAX II CPLD
SPARE1	A9	AG19	2.5-V	Spare signals to the MAX II CPLD
SPARE2	A8	AJ18	2.5-V	Spare signals to the MAX II CPLD
SPARE3	A7	AH18	2.5-V	Spare signals to the MAX II CPLD
SPARE4	B11	AN19	2.5-V	Spare signals to the MAX II CPLD
SPARE5	B10	AM19	2.5-V	Spare signals to the MAX II CPLD
SPARE6	B9	AR19	2.5-V	Spare signals to the MAX II CPLD
SPARE7	B8	AP19	2.5-V	Spare signals to the MAX II CPLD
USB_MAX_D0	M3	—	2.5-V	USB configuration data bus
USB_MAX_D1	L4	—	2.5-V	USB configuration data bus
USB_MAX_D2	N1	—	2.5-V	USB configuration data bus
USB_MAX_D3	L3	—	2.5-V	USB configuration data bus
USB_MAX_D4	N2	—	2.5-V	USB configuration data bus
USB_MAX_D5	M4	—	2.5-V	USB configuration data bus
USB_MAX_D6	N3	—	2.5-V	USB configuration data bus
USB_MAX_D7	P2	—	2.5-V	USB configuration data bus
USB_MAX_PWR_ENn	E1	—	2.5-V	USB configuration power enable
USB_MAX_RDn	D1	—	2.5-V	USB configuration read from FIFO
USB_MAX_RXFn	F4	—	2.5-V	USB configuration receive enable
USB_MAX_TXEn	E2	—	2.5-V	USB configuration transmit enable
USB_MAX_WR	F3	—	2.5-V	USB configuration write to FIFO
USER_IMAGE	R7	—	2.5-V	User image for configuration

Table 2–6 lists the MAX II CPLD System Controller component reference and manufacturing information.

Table 2–6. MAX II CPLD EPM2210 System Controller Component Reference and Manufacturing Information

Board Reference	Description	Manufacturer	Manufacturing Part Number	Manufacturer Website
U19	MAX II CPLD 256FBGA -3 LF 3.3 V VCCINT	Altera Corporation	EPM2210F256C3N	www.altera.com

Configuration, Status, and Setup Elements

This section describes the board's configuration, status, and setup elements.

Configuration

This section describes the FPGA, flash memory, and MAX II CPLD System Controller device programming methods supported by the Stratix V GX transceiver signal integrity development board.

The Stratix V GX transceiver signal integrity development board supports three configuration methods:

- Embedded USB-Blaster is the default method for configuring the FPGA at any time using the Quartus II Programmer in JTAG mode with the supplied USB cable.
- MAX II and flash FPP download for configuring the FPGA using stored images from the flash on either power-up or pressing the reset push-button (S5).
- JTAG header (J93) for initial debugging and to bring up the on-board USB-Blaster circuitry.

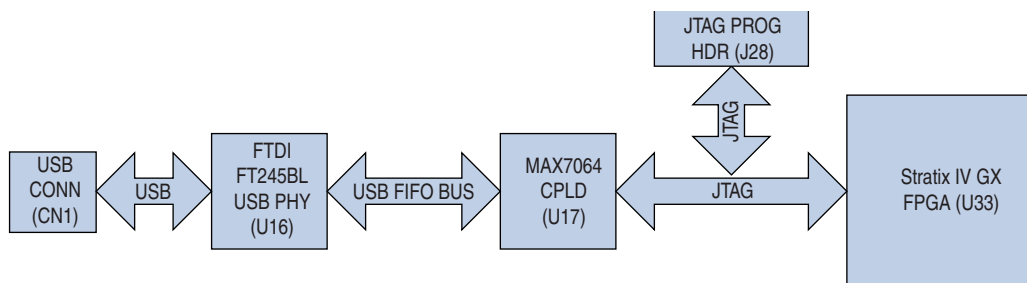
FPGA Programming over Embedded USB-Blaster

Programming the FPGA over embedded USB-Blaster is implemented using a type-B USB connector (CN1), a USB 2.0 PHY device, and an Altera MAX II CPLD EPM2210F256C3N (U19). This allows configuration of the FPGA using a USB cable directly connected between the USB port on the board (CN1) and a USB port of a PC running the Quartus II software. The JTAG chain is normally mastered by the embedded USB-Blaster found in the MAX II CPLD System Controller.

A green USB-Blaster LED (D8) indicates the USB-Blaster activity. The embedded USB-Blaster is automatically disabled when you connect an external USB-Blaster to the JTAG chain at the JTAG header (J93).

Figure 2-3 shows the block diagram for the embedded USB-Blaster.

Figure 2-3. Embedded USB-Blaster



MAX II CPLD System Controller

The EPM570M100 MAX II CPLD (U16) is dedicated to the on-board USB-Blaster functionality. The CPLD connects to the FT245BL USB FIFO device on one side and drives the JTAG signals out the other side on the general purpose I/O (GPIO) pins. A 64x16 EEPROM connects to the CPLD device and stores the factory image for USB-JTAG functionality.

FPGA Programming from Flash Memory

On power-up, the MAX II CPLD System Controller’s parallel flash loader (PFL) configures the FPGA from the flash memory. The system controller uses the Altera Parallel Flash Loader (PFL) megafunction to read 16-bit data from the flash memory and converts it to fast passive parallel (FPP) format. This 8-bit data is then written to the FPGA’s dedicated configuration pins during configuration.

The FPP configuration is implemented with an Altera MAX II CPLD together with the Micron PC2800AP30BF 1-Gbit CFI NOR-type flash device (U21). The CPLD shares the flash interface with the FPGA. The configuration program select, PGMSEL jumper (J28) selects between two Programmer Object Files (.**po**f) files (factory or user) stored in the flash. The configuration mode select signals, MSEL [4 : 0], are pulled to [00100] FPP x16 on the board for FPP mode configuration.

There are three configuration status LEDs, CONFIG_ERR, FACTORY_IMAGE, and USER_IMAGE (D9, D10, D11) which indicate the status of the FPP configuration. For information on the configuration status LEDs, refer to “[Status Elements](#)” on page 2-18.

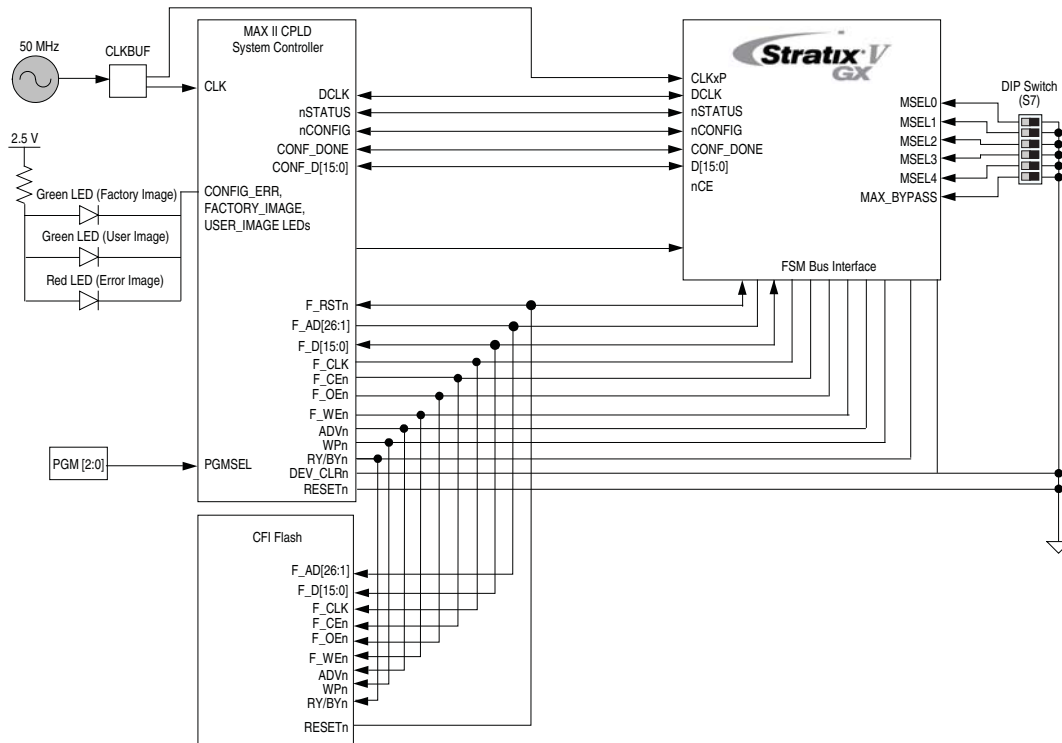
Table 2-7 lists the PGMSEL jumper settings.

Table 2-7. PGMSEL Jumper Settings

Jumper	PGMSEL Setting	File Selection
Not installed (default)	0	Factory image
Installed	1	User image

Figure 2-4 shows the MAX II and flash FPP configuration.

Figure 2-4. MAX II and Flash FPP Configuration



For more information on the flash memory map storage, refer to the *Transceiver Signal Integrity Development Kit, Stratix V GX Edition User Guide*.

Flash Programming

Flash programming is possible through a variety of methods using the Stratix V GX device.

The first method is to use the factory design called the Board Update Portal. This design is an embedded webserver, which serves the Board Update Portal web page. The web page allows you to select new FPGA designs including hardware, software, or both in an industry-standard S-Record File (.flash) and write the design to the user hardware page (page 1) of the flash over the network.

The secondary method is to use the pre-built PFL design included in the development kit. The development board implements the Altera PFL megafunction for flash programming. The PFL megafunction is a block of logic that is programmed into an Altera programmable logic device (FPGA or CPLD). The PFL functions as a utility for writing to a compatible flash device. This pre-built design contains the PFL megafunction that allows you to write either page 0, page 1, or other areas of flash over the USB interface using the Quartus II software. This method is used to restore the development board to its factory default settings.

Other methods to program the flash can be used as well, including the Nios® II processor.

- For more information on the Nios II processor, refer to the [Nios II Processor](#) page of the Altera website.

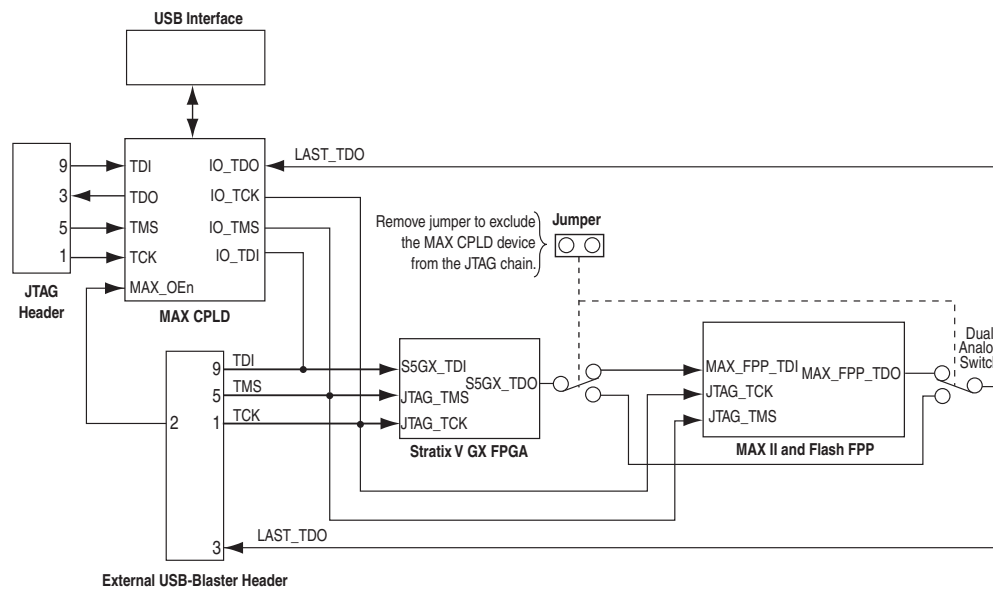
FPGA Programming over External USB-Blaster

The JTAG header provides another method for configuring the FPGA (U29) using an external USB-Blaster device with the Quartus II Programmer running on a PC. The external USB-Blaster is connected to the board through the JTAG header (J93). The JTAG DIP switch (S7) allows the MAX II CPLD device to be removed from the JTAG chain so that the FPGA is the only device on the JTAG chain.

JTAG Header

The JTAG header provides another method for configuring the FPGA using an Altera USB-Blaster dongle with the Quartus II Programmer running on a PC. [Figure 2-5](#) shows the schematic connections for the dedicated JTAG programming header (J93). The program MSEL switch (S7) allows the MAX II CPLD device to be removed from the JTAG chain so that the FPGA is the only device on the JTAG chain.

Figure 2-5. JTAG Header



The MAX II CPLD System Controller must be in the chain to use some of the GUI interfaces. For this setting, set pins 6-7 of the program MSEL switch (S7) to 1.

- For more information on the following topics, refer to the respective documents:

- Board Update Portal and PFL Design, refer to the [Transceiver Signal Integrity Development Kit, Stratix V GX Edition User Guide](#).
- PFL megafunction, refer to [AN 386: Using the Parallel Flash Loader with the Quartus II Software](#).

Status Elements

The development board includes board-specific status LEDs and switches for enabling and configuring various features on the board, as well as a 16 character × 2 line LCD for displaying board power and temperature measurements. This section describes these status elements.

Status LEDs

Surface mount LEDs indicate the various status of the board. A logic 0 is driven on the I/O port to turn the LED on while a logic 1 is driven to turn the LED off.

Table 2–8 lists the LED board references, names, and functional descriptions.

Table 2–8. Board-Specific LEDs

Board Reference	LED Name	Schematic Signal Name	Description
D3	POWER	—	Blue LED. Illuminates when 5-V power is active.
D7	FAN	FAN_LED	Amber LED. Illuminates when an over-temperature condition occurs. This occurrence should automatically turn on the fan.
D8	USB	USB_LED	Green LED. Illuminates when the MAX II CPLD System Controller is actively configuring the FPGA using the embedded USB-Blaster.
D9	ERROR	CONFIG_ERR	Red LED. Illuminates when the MAX II CPLD System Controller fails to configure the FPGA. Driven by the MAX II CPLD System Controller.
D10	FACTORY	FACTORY_IMAGE	Green LED. Illuminates when the factory image is successfully loaded into the FPGA. Driven by the MAX II CPLD System Controller.
D11	USER	USER_IMAGE	Green LED. Illuminates when the user image is successfully loaded into the FPGA. Driven by the MAX II CPLD System Controller.
D12	TX	ENET_LED_TX	Green LED. Blinks to indicate Ethernet PHY transmit activity. Driven by the Marvell 88E1111 PHY.
D13	RX	ENET_LED_RX	Green LED. Blinks to indicate Ethernet PHY receive activity. Driven by the Marvell 88E1111 PHY.
D14	DUPLEX	ENET_LED_DUPLEX	Green LED. Illuminates to indicate Ethernet full duplex status.
D15	1000	ENET_LED_LINK1000	Green LED. Illuminates to indicate Ethernet linked at 1000 Mbps connection speed. Driven by the Marvell 88E1111 PHY.
D16	100	ENET_LED_LINK100	Green LED. Illuminates to indicate Ethernet linked at 100 Mbps connection speed. Driven by the Marvell 88E1111 PHY.
D17	10	ENET_LED_LINK10	Green LED. Illuminates to indicate Ethernet linked at 10 Mbps connection speed. Driven by the Marvell 88E1111 PHY.

Table 2-9 lists the board-specific LEDs component references and manufacturing information.

Table 2-9. Board-Specific LEDs Component References and Manufacturing Information

Board Reference	Description	Manufacturer	Manufacturer Part Number	Manufacturer Website
D8, D10-D17	Green LEDs	Lumex Inc.	SML-LX1206GC-TR	www.lumex.com
D9	Red LED	Lumex Inc.	SML-LX1206IC-TR	www.lumex.com
D3	Blue LED	Lumex Inc.	SML-LX1206USBC-TR	www.lumex.com
D7	Amber LED	Lite-On	LTST-C150KYKT	www.lite-on.com

Setup Elements

The development board includes several different kinds of setup elements. This section describes the following setup elements:

- FPP configuration/MAX II bypass DIP switch
- Program select jumper
- MAX II reset push button
- CPU reset push button

FPP Configuration/MAX II Bypass DIP Switch

The FPP configuration/MAX II bypass DIP switch (S7) controls the FPP configuration mode and also selects the MAX II CPLD to be in the JTAG chain.

Table 2-10 lists the switch settings and descriptions.

Table 2-10. FPP Configuration/MAX II Bypass DIP Switch Settings

Board Reference (S7)	Schematic Signal Name	Description	Default
1-12	MSEL0	ON : Logic 0 is selected for MSEL0 OFF : Logic 1 is selected for MSEL0	ON
2-11	MSEL1	ON : Logic 0 is selected for MSEL1 OFF : Logic 1 is selected for MSEL1	ON
3-10	MSEL2	ON : Logic 0 is selected for MSEL2 OFF : Logic 1 is selected for MSEL2	OFF
4-9	MSEL3	ON : Logic 0 is selected for MSEL3 OFF : Logic 1 is selected for MSEL3	ON
5-8	MSEL4	ON : Logic 0 is selected for MSEL4 OFF : Logic 1 is selected for MSEL4	ON
6-7	MAX_BYPASS	ON : MAX II CPLD EPM2210 System Controller in-chain OFF : Bypass MAX II CPLD EPM2210 System Controller	ON

Table 2–11 lists the DIP switch component reference and manufacturing information.

Table 2–11. FPP Configuration/MAX II Bypass DIP Switch Component Reference and Manufacturing Information

Board Reference	Description	Manufacturer	Manufacturer Part Number	Manufacturer Website
S7	Six-Position slide DIP switch	Grayhill	97C06RT	www.grayhill.com

Program Select Jumper

The program select jumper, PGMSEL, (J28) is an input to the MAX II CPLD System Controller. After a power-on or reset configuration, the MAX II CPLD System Controller configures the FPGA to either factory or user image. For information on the jumper settings, refer to “FPGA Programming from Flash Memory” on page 2–15.

Reset Push Button

The reset push button, RESETn, is an input to the MAX II CPLD System Controller. This push button is the default logic reset for the CPLD logic.

Table 2–12 lists the MAX II reset push button component reference and manufacturing information.

Table 2–12. MAX II Reset Push Button Component Reference and Manufacturing Information

Board Reference	Description	Manufacturer	Manufacturer Part Number	Manufacturer Website
S5	Push Button	Panasonic Corporation	EVQPAC07K	www.panasonic.com

CPU Reset Push Button

The CPU reset push button, CPURSTn, (S6) is connected to a regular I/O pin of the FPGA and serves as a reset for the NIOS II when you load the application.

Table 2–13 lists the CPU reset configuration push button component reference and manufacturing information.

Table 2–13. CPU Reset Configuration Push Button Component Reference and Manufacturing Information

Board Reference	Description	Manufacturer	Manufacturer Part Number	Manufacturer Website
S6	Push Button	Panasonic Corporation	EVQPAC07K	www.panasonic.com

Clock Circuitry

This section describes the board's dedicated and general purpose clocks.

Dedicated Transceiver Clocks

Four differential clock sources are provided from the I²C programmable VCO oscillators to the dedicated REFCLK input pins of transceiver blocks on both sides of the FPGA. The default frequencies for these four oscillators at startup are 625 MHz, 644.53125 MHz, 706.25 MHz, and 875 MHz. The default frequencies can be overridden and a different frequency can be programmed into the oscillators to support other protocols. Each oscillator supports a programmable frequency range of 10 MHz–1.4 GHz and provide a trigger output to an SMA connector for scope or other lab equipment triggering purposes.

Figure 2-6 shows the default frequencies of all external clocks going to the Stratix V GX transceiver signal integrity development board.

Figure 2-6. Transceiver Signal Integrity Development Kit Dedicated Transceiver Clocks

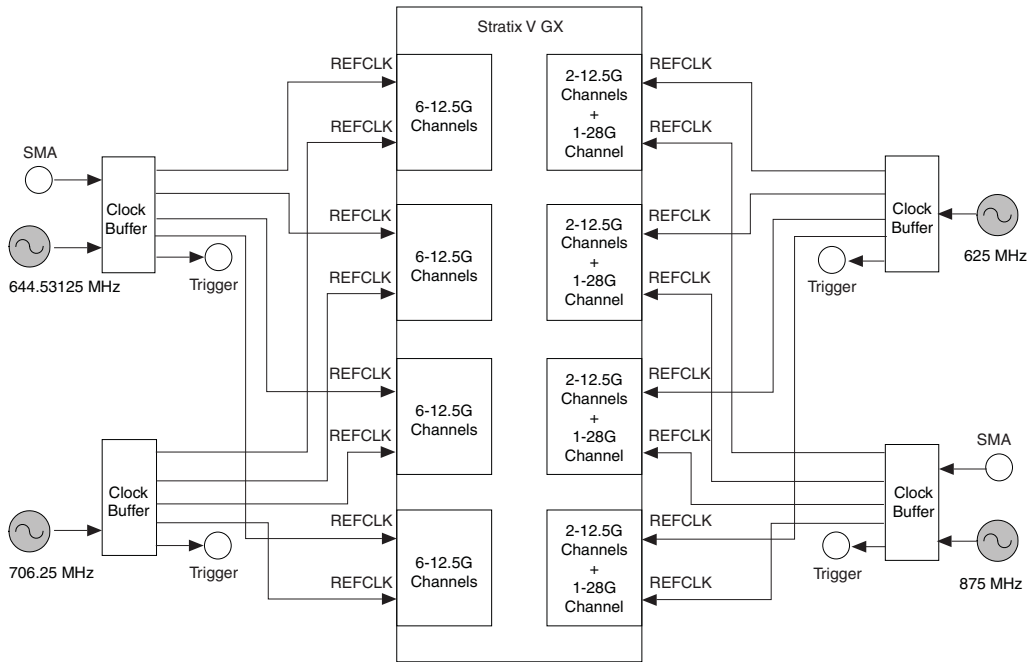


Table 2-14 lists the frequency of these oscillators and the application it supports.

Table 2-14. Transceiver On-Board Oscillators

Frequency	I/O Standard	Clock Buffer
644.53125 MHz	LVDS	IDT5T9306
625 MHz	LVDS	IDT5T9306
706.25 MHz	LVDS	IDT5T9306
875 MHz	LVDS	IDT5T9306

In addition to the four oscillators, each side has a dedicated differential REFCLK input from a pair of SMA connectors to allow an external clock source.

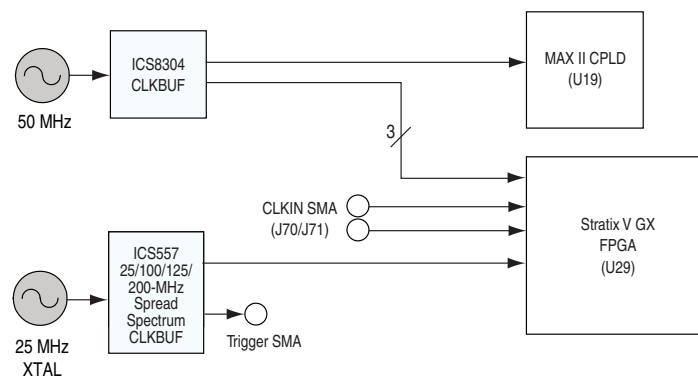
General-Purpose Clocks

Three general-purpose clocks are provided to the FPGA global clock inputs for general FPGA design. The clocks consist of the following components:

- A 50-MHz oscillator through an ICS8304 buffer for NIOS II applications at clock input CLK2p. This clock also routes to the MAX II device for FPP configuration and to the clock inputs CLK12p and CLK16p of banks 7 and 8.
- A 25-MHz crystal oscillator through an ICS557-03 spread spectrum differential clock buffer. The available frequencies and down spread percentages available from the spread spectrum buffer is shown in [Table 2-15](#).
- An external differential clock source from SMA at CLK10p/n (J70/J71).

[Figure 2-7](#) shows the general purpose clocks going in to the Stratix V GX transceiver signal integrity development board.

Figure 2-7. Transceiver Signal Integrity Development Kit General Purpose Clocks



[Table 2-15](#) lists the spread spectrum clock settings and frequencies.

Table 2-15. Spread Spectrum Clock Settings and Frequencies

Spread Spectrum Buffer (inputs)		Output Clock Select	Spread (%)
SS1/S1	SS0/S0		
0	0	25 MHz (default)	Center ± 0.25
0	1	100 MHz	Down -0.5
1	0	125 MHz	Down -0.75
1	1	200 MHz	No spread

Embedded USB-Blaster Clocks

A separate 6-MHz crystal and 24-MHz oscillator are dedicated for the embedded USB-Blaster circuitry. The 6-MHz crystal is used to clock the FTDI FT245 USB PHY device while the 24-MHz oscillator is used to clock the MAX II CPLD device. Refer to “FPGA Programming over Embedded USB-Blaster” on page 2-14 for the embedded USB-Blaster implementation.

Table 2-16 lists the crystal oscillators component references and manufacturing information.

Table 2-16. Crystal Oscillator Component References and Manufacturing Information

Board Reference	Description	Manufacturer	Manufacturer Part Number	Manufacturer Website
X1	Crystal oscillator, 6.0 MHz, SMD	ESC Inc.	ECSX-60-32-5P-TR	www.ecsxtal.com
Y1	Crystal oscillator, CMOS, 2.5 V, 24.000 MHz, SMT, ±50ppm	Epson	SG-310SDF 24.0000M-B3	www.epsontoyocom.co.jp/english/index.html

Transceiver Channels

The transceiver signal integrity development board dedicates 31 (out of 32) 12.5-Gbps transceiver channels from both the left and right sides of the device to various backplane connectors—SFP+ and XFP cages, and SMA connectors. One 12.5-Gbps channel on the 28 Gbps side of the device is a dedicated CMUclk input from SMA connectors.



For the Stratix V GT device migration support, the four 28-Gbps ATT channels connects to the MMPX connectors.

Figure 2-8 shows the complete transceiver usage diagram.

Figure 2-8. Transceiver Signal Integrity Development Kit Dedicated Transceiver Channels

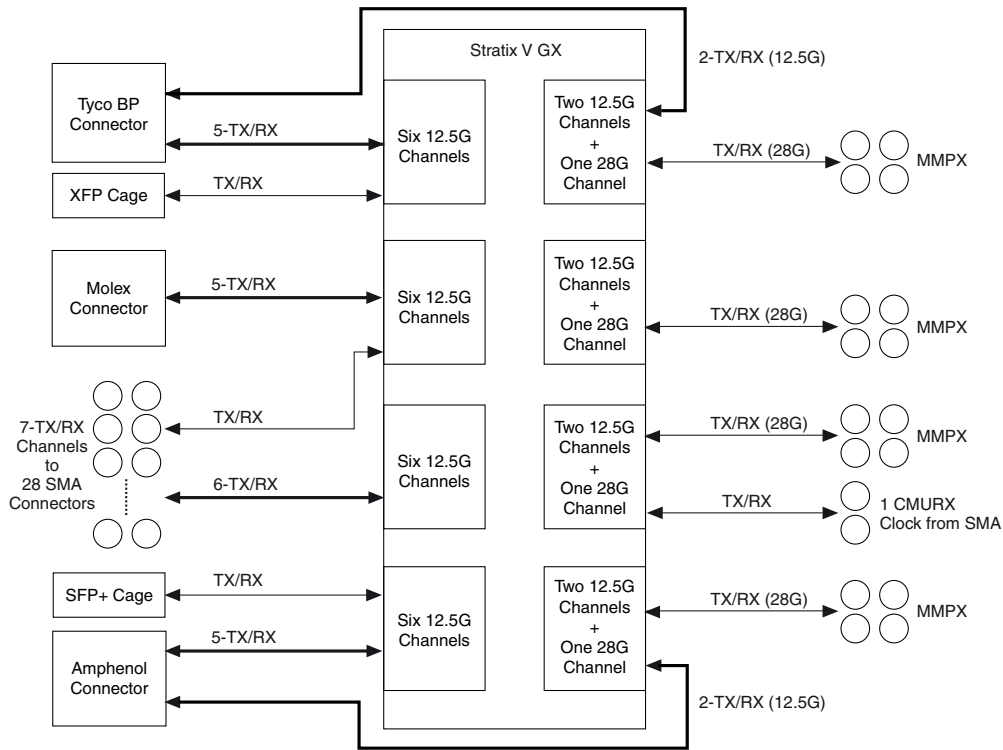


Table 2-17 lists the connection requirements for the transceiver channels.

Table 2-17. Transceiver Signal Integrity Development Kit Transceiver Channels (Part 1 of 2)

Signal Group	Note
5-12.5-Gbps TX to Tyco backplane connector (left side of transceiver block)	Length matched between this TX group
5-12.5-Gbps RX to Tyco backplane connector (left side of transceiver block)	Length matched between this RX group
2-12.5-Gbps TX to Tyco backplane connector (right side of transceiver block)	Length matched between this TX pair
2-12.5-Gbps RX to Tyco backplane connector (right side of transceiver block)	Length matched between this RX pair
5-12.5-Gbps TX to Amphenol/FCI backplane connector (left side of transceiver block)	Length matched between this TX group
5-12.5-Gbps RX to Amphenol/FCI backplane connector (left side of transceiver block)	Length matched between this RX group
2-12.5-Gbps TX to Amphenol/FCI backplane connector (right side of transceiver block)	Length matched between this TX pair
2-12.5-Gbps RX to Amphenol/FCI backplane connector (right side of transceiver block)	Length matched between this RX pair
5-12.5-Gbps TX to Molex connector (left side of transceiver block)	Length matched between this TX group
5-12.5-Gbps RX to Molex connector (left side of transceiver block)	Length matched between this RX group
7-12.5-Gbps TX to SMAs (left side of transceiver block)	Length match between this TX group

Table 2-17. Transceiver Signal Integrity Development Kit Transceiver Channels (Part 2 of 2)

Signal Group	Note
7-12.5-Gbps RX to SMAs—can be used as CMUclk inputs (left side of transceiver block)	Length match between this RX group
4-28-Gbps TX to MMPX connector (right side of transceiver block)	Length match between this TX group
4-28-Gbps RX to MMPX connector (right side of transceiver block)	Length match between this RX group
1-12.5-Gbps TX/RX to SFP+ cage (left side of transceiver block)	No matching between TX/RX pairs
1-12.5-Gbps TX/RX to XFP cage (left side of transceiver block)	No matching between TX/RX pairs
1-12.5-Gbps RX channel used as CMUclk input from SMA (right side of transceiver block)	Match P/N of RX input

SMA Connectors

The development board includes seven transceiver-channel pairs for the SMA connectors.

Table 2-18 lists the SMA connectors pin assignments, signal names, and functions.

Table 2-18. SMA Connectors Pin Assignments, Signal Names, and Functions

Board Reference	Schematic Signal Name	I/O Standard	Stratix V GX Device Pin Number	Description
J35	GXB_RXLp_11	1.4-V PCML	AA36	GXB receive
J38	GXB_RXLn_11	1.4-V PCML	AA37	GXB receive
J40	GXB_RXLp_12	1.4-V PCML	Y38	GXB receive
J45	GXB_RXLn_12	1.4-V PCML	Y39	GXB receive
J47	GXB_RXLp_13	1.4-V PCML	V38	GXB receive
J52	GXB_RXLn_13	1.4-V PCML	V39	GXB receive
J54	GXB_RXLp_14	1.4-V PCML	U36	GXB receive
J56	GXB_RXLn_14	1.4-V PCML	U37	GXB receive
J58	GXB_RXLp_15	1.4-V PCML	T38	GXB receive
J60	GXB_RXLn_15	1.4-V PCML	T39	GXB receive
J62	GXB_RXLp_16	1.4-V PCML	P38	GXB receive
J64	GXB_RXLn_16	1.4-V PCML	P39	GXB receive
J66	GXB_RXLp_17	1.4-V PCML	M38	GXB receive
J68	GXB_RXLn_17	1.4-V PCML	M39	GXB receive
J36	GXB_TXLp_11	1.4-V PCML	Y34	GXB transmit
J39	GXB_TXLn_11	1.4-V PCML	Y35	GXB transmit
J41	GXB_TXLp_12	1.4-V PCML	W36	GXB transmit
J46	GXB_TXLn_12	1.4-V PCML	W37	GXB transmit
J48	GXB_TXLp_13	1.4-V PCML	V34	GXB transmit
J53	GXB_TXLn_13	1.4-V PCML	V35	GXB transmit
J55	GXB_TXLp_14	1.4-V PCML	T34	GXB transmit
J57	GXB_TXLn_14	1.4-V PCML	T35	GXB transmit
J59	GXB_TXLp_15	1.4-V PCML	R36	GXB transmit

Table 2-18. SMA Connectors Pin Assignments, Signal Names, and Functions

Board Reference	Schematic Signal Name	I/O Standard	Stratix V GX Device Pin Number	Description
J61	GXB_TXLn_15	1.4-V PCML	R37	GXB transmit
J63	GXB_TXLp_16	1.4-V PCML	P34	GXB transmit
J65	GXB_TXLn_16	1.4-V PCML	P35	GXB transmit
J67	GXB_TXLp_17	1.4-V PCML	N36	GXB transmit
J69	GXB_TXLn_17	1.4-V PCML	N37	GXB transmit

Backplane Connectors

The development board supports three different types of 10Gbase-KR reference backplanes by directly mating with backplanes made from Tyco, Amphenol, and Molex manufacturers.



The Tyco Strada Whisper connector is currently not installed on this board. The part number for this connector is listed at the end of this section.

Table 2-19 lists the Amphenol backplane connector pin assignments.

Table 2-19. Amphenol Backplane Connector Pin Assignments, Signal Names and Functions (Part 1 of 2)

Board Reference (J32)	Schematic Signal Name	I/O Standard	Stratix V GX Device Pin Number	Description
G5	GXB_TXLN_19	1.4-V PCML	K35	GXB transmit
H5	GXB_TXLP_19	1.4-V PCML	K34	GXB transmit
E5	GXB_TXLN_20	1.4-V PCML	J37	GXB transmit
F5	GXB_TXLP_20	1.4-V PCML	J36	GXB transmit
E4	GXB_TXLN_21	1.4-V PCML	G37	GXB transmit
F4	GXB_TXLP_21	1.4-V PCML	G36	GXB transmit
C5	GXB_TXLN_22	1.4-V PCML	E37	GXB transmit
D5	GXB_TXLP_22	1.4-V PCML	E36	GXB transmit
C4	GXB_TXLN_23	1.4-V PCML	C37	GXB transmit
D4	GXB_TXLP_23	1.4-V PCML	C36	GXB transmit
E6	GXB_TXRN_18	1.4-V PCML	M5	GXB transmit
F6	GXB_TXRP_18	1.4-V PCML	M6	GXB transmit
C6	GXB_TXRN_23	1.4-V PCML	C3	GXB transmit
D6	GXB_TXRP_23	1.4-V PCML	C4	GXB transmit
C1	GXB_RXLN_19	1.4-V PCML	K39	GXB receive
D1	GXB_RXLP_19	1.4-V PCML	K38	GXB receive
C2	GXB_RXLN_20	1.4-V PCML	H39	GXB receive
D2	GXB_RXLP_20	1.4-V PCML	H38	GXB receive
E1	GXB_RXLN_21	1.4-V PCML	F39	GXB receive
F1	GXB_RXLP_21	1.4-V PCML	F38	GXB receive

Table 2-19. Amphenol Backplane Connector Pin Assignments, Signal Names and Functions (Part 2 of 2)

Board Reference (J32)	Schematic Signal Name	I/O Standard	Stratix V GX Device Pin Number	Description
E2	GXB_RXLN_22	1.4-V PCML	D39	GXB receive
F2	GXB_RXLP_22	1.4-V PCML	D38	GXB receive
G2	GXB_RXLN_23	1.4-V PCML	B39	GXB receive
H2	GXB_RXLP_23	1.4-V PCML	B38	GXB receive
E3	GXB_RXRN_18	1.4-V PCML	L3	GXB receive
F3	GXB_RXRP_18	1.4-V PCML	L4	GXB receive
C3	GXB_RXRN_23	1.4-V PCML	B1	GXB receive
D3	GXB_RXRP_23	1.4-V PCML	B2	GXB receive

Table 2-20 lists the Tyco backplane connector pin assignments.

Table 2-20. Tyco Backplane Connector Pin Assignments, Signal Names and Functions (Part 1 of 2)

Board Reference (J33)	Schematic Signal Name	I/O Standard	Stratix V GX Device Pin Number	Description
F11	GXB_TXLN_0	1.4-V PCML	AU37	GXB transmit
G11	GXB_TXLN_1	1.4-V PCML	AR37	GXB transmit
H11	GXB_TXLN_2	1.4-V PCML	AN37	GXB transmit
F14	GXB_TXLN_3	1.4-V PCML	AL37	GXB transmit
G14	GXB_TXLN_4	1.4-V PCML	AK35	GXB transmit
F12	GXB_TXLP_0	1.4-V PCML	AU36	GXB transmit
G12	GXB_TXLP_1	1.4-V PCML	AR36	GXB transmit
H12	GXB_TXLP_2	1.4-V PCML	AN36	GXB transmit
F15	GXB_TXLP_3	1.4-V PCML	AL36	GXB transmit
G15	GXB_TXLP_4	1.4-V PCML	AK34	GXB transmit
F18	GXB_TXRN_0	1.4-V PCML	AU3	GXB transmit
G18	GXB_TXRN_5	1.4-V PCML	AH5	GXB transmit
F17	GXB_TXRP_0	1.4-V PCML	AU4	GXB transmit
G17	GXB_TXRP_5	1.4-V PCML	AH6	GXB transmit
B2	GXB_RXLN_0	1.4-V PCML	AV39	GXB receive
C2	GXB_RXLN_1	1.4-V PCML	AT39	GXB receive
B5	GXB_RXLN_2	1.4-V PCML	AP39	GXB receive
A5	GXB_RXLN_3	1.4-V PCML	AM39	GXB receive
A2	GXB_RXLN_4	1.4-V PCML	AJ37	GXB receive
B3	GXB_RXLP_0	1.4-V PCML	AV38	GXB receive
C3	GXB_RXLP_1	1.4-V PCML	AT38	GXB receive
B6	GXB_RXLP_2	1.4-V PCML	AP38	GXB receive
A6	GXB_RXLP_3	1.4-V PCML	AM38	GXB receive
A3	GXB_RXLP_4	1.4-V PCML	AJ36	GXB receive

Table 2–20. Tyco Backplane Connector Pin Assignments, Signal Names and Functions (Part 2 of 2)

Board Reference (J33)	Schematic Signal Name	I/O Standard	Stratix V GX Device Pin Number	Description
A9	GXB_RXRN_0	1.4-V PCML	AV1	GXB receive
B9	GXB_RXRN_5	1.4-V PCML	AJ3	GXB receive
A8	GXB_RXRP_0	1.4-V PCML	AV2	GXB receive
B8	GXB_RXRP_5	1.4-V PCML	AJ4	GXB receive

Table 2–21 lists the Molex backplane connector pin assignments.

Table 2–21. Molex Backplane Connector Pin Assignments, Signal Names and Functions

Board Reference (J34)	Schematic Signal Name	I/O Standard	Stratix V GX Device Pin Number	Description
H10	GXB_TXLN_6	1.4-V PCML	AG37	GXB transmit
J9	GXB_TXLN_7	1.4-V PCML	AF35	GXB transmit
B9	GXB_TXLN_8	1.4-V PCML	AD35	GXB transmit
E10	GXB_TXLN_9	1.4-V PCML	AC37	GXB transmit
E9	GXB_TXLN_10	1.4-V PCML	AB35	GXB transmit
G10	GXB_TXLP_6	1.4-V PCML	AG36	GXB transmit
H9	GXB_TXLP_7	1.4-V PCML	AF34	GXB transmit
C9	GXB_TXLP_8	1.4-V PCML	AD34	GXB transmit
D10	GXB_TXLP_9	1.4-V PCML	AC36	GXB transmit
F9	GXB_TXLP_10	1.4-V PCML	AB34	GXB transmit
L4	GXB_RXLN_6	1.4-V PCML	AH39	GXB receive
L2	GXB_RXLN_7	1.4-V PCML	AE37	GXB receive
G4	GXB_RXLN_8	1.4-V PCML	AF39	GXB receive
M3	GXB_RXLN_9	1.4-V PCML	AD39	GXB receive
H3	GXB_RXLN_10	1.4-V PCML	AB39	GXB receive
K4	GXB_RXLP_6	1.4-V PCML	AH38	GXB receive
K2	GXB_RXLP_7	1.4-V PCML	AE36	GXB receive
H4	GXB_RXLP_8	1.4-V PCML	AF38	GXB receive
L3	GXB_RXLP_9	1.4-V PCML	AD38	GXB receive
J3	GXB_RXLP_10	1.4-V PCML	AB38	GXB receive

Table 2-22 lists the backplane connector component reference and the manufacturing information.

Table 2-22. Backplane Connector Component Reference and Manufacturing Information

Board Reference	Description	Manufacturer	Manufacturer Part Number	Manufacturer Website
J32	Connector, 4-pair, 6 position, Amphenol Xcede	Amphenol	AX400-00682	www.amphenol.com
J33	Connector, 8-pair, 6-columns, receptacle, Tyco Strada	Tyco Electronics	2149323-1	www.te.com
J34	Connector, 4-pair, receptacle, Molex Impact	Molex	76160-5020	www.molex.com

General User Input/Output

This section describes the user I/O interface to the FPGA. This section describes the following I/O elements:

- User-defined push buttons
- User-defined DIP switch
- User-defined LEDs
- Character LCD

User-Defined Push Buttons

The development board includes four user-defined push buttons which allow you to interact with the Stratix V GX device. When the push button is pressed and held down, the device pin is set to logic 0; when the push button is released, the device pin is set to logic 1. There is no board-specific function for these general user push buttons.

Table 2-23 lists the user-defined push button schematic signal names and their corresponding Stratix V GX device pin numbers.

Table 2-23. User-Defined Push Button Schematic Signal Names and Functions

Board Reference	Schematic Signal Name	I/O Standard	Stratix V GX Device Pin Number	Description
S1	USER_PB0	2.5-V	H29	Push button
S2	USER_PB1	2.5-V	G28	Push button
S3	USER_PB2	2.5-V	K27	Push button
S4	USER_PB3	2.5-V	J27	Push button

Table 2-24 lists the user-defined push button component reference and the manufacturing information.

Table 2-24. User-Defined Push Button Component Reference and Manufacturing Information

Board Reference	Description	Manufacturer	Manufacturer Part Number	Manufacturer Website
S1-S4	Push button	Panasonic Corporation	EVQPAC07K	www.panasonic.com

User-Defined DIP Switch

Board reference SW4 is a 8-pin DIP switch. The switches are user-defined, and are provided for additional FPGA input control. There is no board-specific function for these switches.

Table 2-25 lists the user-defined DIP switch schematic signal names and their corresponding Stratix V GX pin numbers.

Table 2-25. User-Defined DIP Switch Schematic Signal Names and Functions

Board Reference (SW4)	Schematic Signal Name	I/O Standard	Stratix V GX Device Pin Number	Description
1	S5_UNLOCK	2.5-V	— (Connected to USB MAX II pin B6)	User-defined DIP switch connected to FPGA device. When the switch is in the OPEN or ON position, a logic 1 is selected. When the switch is in the CLOSED or OFF position, a logic 0 is selected.
2	USER_DIP6	2.5-V	H34	
3	USER_DIP5	2.5-V	F33	
4	USER_DIP4	2.5-V	G33	
5	USER_DIP3	2.5-V	H32	
6	USER_DIP2	2.5-V	D34	
7	USER_DIP1	2.5-V	E34	
8	USER_DIP0	2.5-V	D33	

Table 2-26 lists the user-defined DIP switch component reference and the manufacturing information.

Table 2-26. User-Defined DIP Switch Component Reference and Manufacturing Information

Board Reference	Description	Manufacturer	Manufacturer Part Number	Manufacturer Website
SW4	Eight-Position DIP switch	Grayhill	76SB08ST	www.grayhill.com

User-Defined LEDs

The development board includes eight user-defined LEDs. Board references D18 through D25 are user LEDs which allow status and debugging signals to be driven to the LEDs from the designs loaded into the Stratix V GX device. The LEDs illuminate when a logic 0 is driven, and turns off when a logic 1 is driven. There is no board-specific function for these LEDs.

Table 2-27 lists the user-defined LED schematic signal names and their corresponding Stratix V GX pin numbers.

Table 2-27. User-Defined LED Schematic Signal Names and Functions

Board Reference	Schematic Signal Name	I/O Standard	Stratix V GX Device Pin Number	Description
D18	USER_LED_0	2.5-V	B32	User-defined LEDs. Driving a logic 0 on the I/O port turns the LED ON. Driving a logic 1 on the I/O port turns the LED OFF.
D19	USER_LED_1	2.5-V	A32	
D20	USER_LED_2	2.5-V	B34	
D21	USER_LED_3	2.5-V	A34	
D22	USER_LED_4	2.5-V	C34	
D23	USER_LED_5	2.5-V	C33	
D24	USER_LED_6	2.5-V	F32	
D25	USER_LED_7	2.5-V	E32	

Table 2-28 lists the user-defined LED component reference and the manufacturing information.

Table 2-28. User-Defined LED Component Reference and Manufacturing Information

Board Reference	Device Description	Manufacturer	Manufacturer Part Number	Manufacturer Website
D18-D25	Green LEDs, 1206, SMT, Clear Lens, 2.1 V	Lumex Inc.	SML-LX1206GC-TR	www.lumex.com

Character LCD

The development board contains a single 14-pin 0.1" pitch dual-row header that interfaces to a 16 character × 2 line Lumex LCD display. The LCD has a 14-pin receptacle that mounts directly to the board's 14-pin header, so it can be easily removed for access to components under the display. You can also use the header for debugging or other purposes.

Table 2-29 summarizes the LCD pin assignments. The signal names and directions are relative to the Stratix V GX device.

Table 2-29. LCD Pin Assignments, Schematic Signal Names, and Functions (Part 1 of 2)

Board Reference (J30)	Schematic Signal Name	I/O Standard	Stratix V GX Device Pin Number	Description
4	LCD_D_Cn	2.5-V	B14	LCD data or command select
5	LCD_Wen	2.5-V	B13	LCD write enable
6	LCD_EN	2.5-V	A14	LCD chip select
7	LCD_DATA0	2.5-V	A13	LCD data bus
8	LCD_DATA1	2.5-V	B16	LCD data bus
9	LCD_DATA2	2.5-V	A16	LCD data bus
10	LCD_DATA3	2.5-V	C15	LCD data bus
11	LCD_DATA4	2.5-V	C14	LCD data bus
12	LCD_DATA5	2.5-V	D15	LCD data bus

Table 2–29. LCD Pin Assignments, Schematic Signal Names, and Functions (Part 2 of 2)

Board Reference (J30)	Schematic Signal Name	I/O Standard	Stratix V GX Device Pin Number	Description
13	LCD_DATA6	2.5-V	D16	LCD data bus
14	LCD_DATA7	2.5-V	F14	LCD data bus

Table 2–30 shows the LCD pin definitions, and is an excerpt from the Lumex data sheet.


 For more information such as timing, character maps, interface guidelines, and other related documentation, visit www.lumex.com.

Table 2–30. LCD Pin Definitions and Functions

Pin Number	Symbol	Level	Function
1	V _{DD}	—	Power supply
2	V _{SS}	—	
3	V ₀	—	
4	RS	H/L	Register select signal H: Data input L: Instruction input
5	R/W	H/L	H: Data read (module to MPU) L: Data write (MPU to module)
6	E	H, H to L	Enable
7–14	DB0–DB7	H/L	Data bus, software selectable 4-bit or 8-bit mode

Table 2–31 lists the LCD component references and the manufacturing information.

Table 2–31. LCD Component References and Manufacturing Information

Board Reference	Description	Manufacturer	Manufacturer Part Number	Manufacturer Website
J30	2×7 pin, 100 mil, vertical header	Samtec	TSM-107-01-G-DV	www.samtec.com
	2×16 character display, 5×8 dot matrix	Lumex Inc.	LCM-S01602DSR/C	www.lumex.com

Components and Interfaces

This section describes the development board's communication ports and interface cards relative to the Stratix V GX device. The development board supports the following components and interfaces:

- 10/100/1000 Ethernet
- Transceiver interfaces
 - XFP interface
 - SFP+ interface

10/100/1000 Ethernet

The development board supports a 10/100/1000 BASE-T Ethernet connection using a Marvell 88E1111 PHY device and the Altera Triple-Speed Ethernet MegaCore MAC function. The device is an auto-negotiating Ethernet PHY with an SGMII interface to the FPGA. The Stratix V GX device can communicate with the LVDS interfaces at up to 1.25 Gbps. The MAC function must be provided in the FPGA for typical networking applications. The Marvell 88E1111 PHY uses 2.5-V and 1.2-V power rails and requires a 25-MHz reference clock driven from a dedicated oscillator. It interfaces to an RJ-45 with internal magnetics that can be used for driving copper lines with Ethernet traffic.

Figure 2-9 shows the SGMII interface between the FPGA (MAC) and Marvell 88E1111 PHY.

Figure 2-9. SGMII Interface between FPGA (MAC) and Marvell 88E1111 PHY

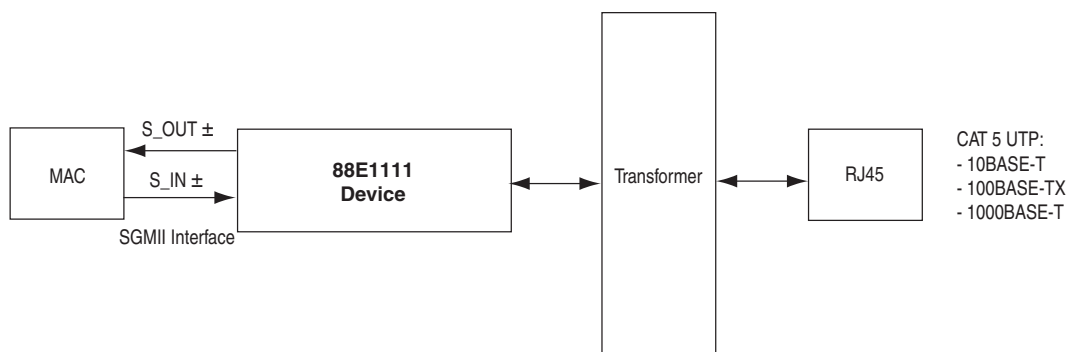


Table 2-32 lists the Ethernet PHY interface pin assignments.

Table 2-32. Ethernet PHY Pin Assignments, Signal Names and Functions

Board Reference (U22)	Schematic Signal Name	I/O Standard	Stratix V GX Device Pin Number	Description
23	ENET_INTN	2.5-V	AL14	Management bus Interrupt
70	ENET_LED_DUPLEX	2.5-V	—	Duplex LED
76	ENET_LED_LINK10	2.5-V	—	10-Mb link LED
74	ENET_LED_LINK100	2.5-V	—	100-Mb link LED

Table 2–32. Ethernet PHY Pin Assignments, Signal Names and Functions

Board Reference (U22)	Schematic Signal Name	I/O Standard	Stratix V GX Device Pin Number	Description
73	ENET_LED_LINK1000	2.5-V	—	1000-Mb link LED
69	ENET_LED_RX	2.5-V	—	RX data active LED
68	ENET_LED_TX	2.5-V	—	TX data active LED
28	ENET_RSTN	2.5-V	AT6	Device reset
75	ENET_SGMII_RX_N	2.5-V	AJ15	SGMII receive
77	ENET_SGMII_RX_P	2.5-V	AH15	SGMII receive
81	ENET_SGMII_TX_N	2.5-V	AL15	SGMII transmit
82	ENET_SGMII_TX_P	2.5-V	AK15	SGMII transmit
55	ENET_XTAL_25MHZ	2.5-V	—	25-MHz clock
8	GTXCLK	2.5-V	AE15	Ethernet transmit clock
25	MDC	2.5-V	AB16	Management bus data clock
31	MDI_N0	2.5-V	—	Management bus data
34	MDI_N1	2.5-V	—	Management bus data
41	MDI_N2	2.5-V	—	Management bus data
43	MDI_N3	2.5-V	—	Management bus data
29	MDI_P0	2.5-V	—	Management bus data
33	MDI_P1	2.5-V	—	Management bus data
39	MDI_P2	2.5-V	—	Management bus data
42	MDI_P3	2.5-V	—	Management bus data
24	MDIO	2.5-V	AC16	Management bus data input/output
2	RXCLK	2.5-V	AH16	SGMII receive clock
95	RXD0	2.5-V	AG17	SGMII receive data
92	RXD1	2.5-V	AD15	SGMII receive data
93	RXD2	2.5-V	AE16	SGMII receive data
91	RXD3	2.5-V	AB15	SGMII receive data
94	RXDV	2.5-V	AF17	SGMII receive data valid
11	TXD0	2.5-V	AK17	SGMII transmit data
12	TXD1	2.5-V	AL17	SGMII transmit data
14	TXD2	2.5-V	AJ16	SGMII transmit data
16	TXD3	2.5-V	AJ17	SGMII transmit data
9	TXEN	2.5-V	AF16	SGMII transmit enable

Table 2-33 lists the Ethernet PHY interface component reference and manufacturing information.

Table 2-33. Ethernet PHY Component Reference and Manufacturing Information

Board Reference	Description	Manufacturer	Manufacturing Part Number	Manufacturer Website
U22	Ethernet PHY BASE-T device	Marvel Semiconductor	88E1111-B2-CAAIC000	www.marvell.com

Transceiver Interfaces

The transceiver signal integrity development board incorporates a XFP transceiver module, and a SFP+ transceiver module. Each module has a single duplex channel.

XFP Interface

Table 2-34 lists the XFP connector cage interface pin assignments.

Table 2-34. XFP Interface Pin Assignments, Signal Names and Functions

Board Reference (U25)	Schematic Signal Name	I/O Standard	Stratix V GX Device Pin Number	Description
28	GXB_TXLN_5	1.4-V PCML	AH35	GXB transmit
29	GXB_TXLP_5	1.4-V PCML	AH34	GXB transmit
18	GXB_RXLN_5	1.4-V PCML	AK39	GXB receive
16	GXB_RXLP_5	1.4-V PCML	AK38	GXB receive
24	REFCLK_XFPN	1.8-V	—	XFP reference clock
25	REFCLK_XFPP	1.8-V	—	XFP reference clock
3	XFP_MOD_DESEL	1.8-V	AV23	Module deselect
21	XFP_PDOWN_RST	1.8-V	AW23	Power down reset
4	XFP_T_INTERRUPT	1.8-V	AV22	Interrupt
12	XFP_T_MOD_ABS	1.8-V	AW26	Module absent
10	XFP_T_SCL	1.8-V	AW25	Two-wire serial interface clock line
11	XFP_T_SDA	1.8-V	AV25	Two-wire serial interface data line
5	XFP_TX_DIS	1.8-V	AW22	Disables transmitter output

Table 2-35 lists the XFP interface component reference and manufacturing information.

Table 2-35. XFP Interface Component Reference and Manufacturing Information

Board Reference	Description	Manufacturer	Manufacturing Part Number	Manufacturer Website
U25	XFP 30-pin connector, 30UM gold plating, high speed	Amphenol Tyco	1367500-1	www.amphenol.com
	XFP cage without light pipe, press fit	Amphenol Tyco	1489951-1	www.te.com

SFP+ Interface

Table 2–32 lists the pin assignments for the SFP+ interface (SFPA) and their corresponding schematic signal names and Stratix V GX pin numbers.

Table 2–36. SFP+ Interface Pin Assignments, Signal Names and Functions

Board Reference (J51)	Schematic Signal Name	I/O Standard	Stratix V GX Device Pin Number	Description
19	GXB_TXLN_18	1.8-V	M35	GXB transmit
18	GXB_TXLP_18	1.8-V	M34	GXB transmit
12	GXB_RXLN_18	1.8-V	L37	GXB receive
13	GXB_RXLP_18	1.8-V	L36	GXB receive
8	SFPA_LOS	1.8-V	B28	Signal loss indicator
6	SFPA_MOD0_PRSENTN	1.8-V	B26	Module present indicator
5	SFPA_MOD1_SCL	1.8-V	A26	Two-wire serial interface clock line
4	SFPA_MOD2_SDA	1.8-V	B25	Two-wire serial interface data line
7	SFPA_RATESEL0	1.8-V	C27	Rate select 0. Controls the SFP+ interface receiver.
9	SFPA_RATESEL1	1.8-V	C26	Rate select 1. Controls the SFP+ interface receiver.
3	SFPA_TXDISABLE	1.8-V	A28	Turns off and disables the transmitter output
2	SFPA_TXFAULT	1.8-V	A25	Transmitter fault

Table 2–35 lists the SFP+ interface component reference and manufacturing information.

Table 2–37. SFP+ Interface Component Reference and Manufacturing Information

Board Reference	Description	Manufacturer	Manufacturing Part Number	Manufacturer Website
J51	SFP+ connector - Mect family standard SFP right-angle 20-pin SMT	Samtec	MECT-110-01-M-D-RA1	www.samtec.com
	SFP+ cage	Molex	74754-0101	www.molex.com

Flash Memory

The development board has a 1-GB CFI-compatible synchronous flash device for non-volatile storage of FPGA configuration data, board information, test application data, and user code space. The FPGA and MAX II System Controller shares this device.

This 16-bit data memory interface can sustain burst read operations at up to 52 MHz for a throughput of 832 Mbps per device. The write performance is 270 μ s for a single word and 310 μ s for a 32-word buffer. The erase time is 800 ms for a 128 K parameter block.

Table 2–38 lists the flash pin assignments, signal names, and functions. The signal names and types are relative to the Stratix V GX device in terms of I/O setting and direction.

Table 2–38. Flash Pin Assignments, Schematic Signal Names, and Functions (Part 1 of 2)

Board Reference (U21)	Schematic Signal Name	I/O Standard	Stratix V GX Device Pin Number	Description
A1	F_AD1	1.8-V	AE14	Address bus
B1	F_AD2	1.8-V	AD14	Address bus
C1	F_AD3	1.8-V	AC13	Address bus
D1	F_AD4	1.8-V	AC12	Address bus
D2	F_AD5	1.8-V	AG14	Address bus
A2	F_AD6	1.8-V	AF14	Address bus
C2	F_AD7	1.8-V	AD11	Address bus
A3	F_AD8	1.8-V	AC11	Address bus
B3	F_AD9	1.8-V	AF11	Address bus
C3	F_AD10	1.8-V	AE11	Address bus
D3	F_AD11	1.8-V	AE13	Address bus
C4	F_AD12	1.8-V	AE12	Address bus
A5	F_AD13	1.8-V	AJ14	Address bus
B5	F_AD14	1.8-V	AH13	Address bus
C5	F_AD15	1.8-V	AG13	Address bus
D7	F_AD16	1.8-V	AF13	Address bus
D8	F_AD17	1.8-V	AJ13	Address bus
A7	F_AD18	1.8-V	AJ12	Address bus
B7	F_AD19	1.8-V	AH12	Address bus
C7	F_AD20	1.8-V	AG11	Address bus
C8	F_AD21	1.8-V	AK12	Address bus
A8	F_AD22	1.8-V	AK11	Address bus
G1	F_AD23	1.8-V	AL12	Address bus
H8	F_AD24	1.8-V	AL11	Address bus
B6	F_AD25	1.8-V	AM13	Address bus
B8	F_AD26	1.8-V	AL13	Address bus
F6	F_ADVN	1.8-V	AP7	Address valid
F7	F_BSYN	1.8-V	AR7	Ready

Table 2-38. Flash Pin Assignments, Schematic Signal Names, and Functions (Part 2 of 2)

Board Reference (U21)	Schematic Signal Name	I/O Standard	Stratix V GX Device Pin Number	Description
B4	F_CEN	1.8-V	AP9	Chip enable
E6	F_CLK	1.8-V	AN6	Clock
F2	F_D0	1.8-V	AN11	Data bus
E2	F_D1	1.8-V	AM11	Data bus
G3	F_D2	1.8-V	AP12	Data bus
E4	F_D3	1.8-V	AN12	Data bus
E5	F_D4	1.8-V	AN10	Data bus
G5	F_D5	1.8-V	AM10	Data bus
G6	F_D6	1.8-V	AR11	Data bus
H7	F_D7	1.8-V	AR10	Data bus
E1	F_D8	1.8-V	AT12	Data bus
E3	F_D9	1.8-V	AU13	Data bus
F3	F_D10	1.8-V	AU12	Data bus
F4	F_D11	1.8-V	AU11	Data bus
F5	F_D12	1.8-V	AT11	Data bus
H5	F_D13	1.8-V	AW13	Data bus
G7	F_D14	1.8-V	AV13	Data bus
E7	F_D15	1.8-V	AW11	Data bus
F8	F_OEN	1.8-V	AN9	Output enable
D4	F_RSTN	1.8-V	AL8	Reset
G8	F_WEN	1.8-V	AM8	Write enable
C6	F_WPN	1.8-V	AP6	Write protect

Table 2-39 lists the flash memory component reference and manufacturing information.

Table 2-39. Flash Memory Component Reference and Manufacturing Information

Board Reference	Description	Manufacturer	Manufacturing Part Number	Manufacturer Website
U21	1-GB synchronous flash	Micron	PC28F00AP30BF	www.micron.com

Power Supply

A laptop style DC power input provides power to the development board. The input voltage must be in the range of 14 V to 20 V. The DC voltage is then stepped down to the various power rails used by the components on the board.

An on-board multi-channel power monitor device (LTC2978) measures both the voltage and current for several specific board rails. This device has the capability to trim voltage outputs $\pm 10\%$.

Table 2-40 lists the power requirements for each major component on the board.

Table 2-40. Power Requirements

Device	Voltage Name	Voltage (V)	Note
FPGA	S5GX_VCC	0.9	VCC VCCHIP VCCHSSI
	2p5V	2.5	VCCIO VCCPD VCCREF VCCPGM VCCBAT VCC_CLKIN
	2p5V_FLTR	2.5	Ferrite filtered from 2p5V, VCCA_PLL, and VCCAUX
	1p5V	1.5	VCCPT VCCH_GXB VCCD_FPLL
	VCCBAT	1.5	BT1 socket
	VCCR_GTB (28G channels)	1.0	LDO
	VCCT_GTB (28G channels)	1.0	LDO
	VCCL_GTB (28G channels)	1.0	LDO
	VCCRT_GXB	0.9 or 1.0	Low noise switcher
	VCCA_GXB	2.5 or 3.0	Low noise switcher
	VCC_GXB	1.5	Tied to 1p5V (low noise switcher)
MAX II (for FPP configuration)	2p5V	2.5	—
Flash	2p5V	2.5	Core
	XFP_1p8V	1.8	I/O
MAX II (for USB-Blaster)	2p5V	2.5	Core or I/O
EEPROM	USBVCC	5.0	—
USB PHY	USBVCC	5.0	Core
	2p5V_USB	2.5	I/O
Power monitor	5V	5.0	—
Temperature sense ADC	3p3V	3.3	—

Table 2-40. Power Requirements

Device	Voltage Name	Voltage (V)	Note
ICS557-03 spread spectrum clock buffer (x1)	3p3V	3.3	25-MHz clock output to the FPGA
ICS8304 clock buffer	3p3V/2p5V	3.3/2.5	50-MHz clock outputs
IDT5T9306 transceiver REFCLK clock buffers (x4)	2p5V	2.5	Programmable clock outputs
T85A23157 dual analog switch	5V	5.0	—
Character LCD	5V	5.0	—
LEDs (x13)	2p5V	2.5	—
Board power LED	5V	5.0	—

Power Measurement

There are 6 voltage rails tied to two LTC2978 power monitor devices. These devices are capable of measuring the voltage and current for each voltage rail. The device can also provide power sequencing. A sense resistor at each voltage rail is in place for these measurements. These devices are also capable of trimming the output voltage $\pm 10\%$. An I²C bus connects to the MAX II CPLD and FPGA devices for control.

Table 2-41 lists the voltage rails. Each voltage is identified by its schematic net name.

Table 2-41. Voltage Rails

Schematic Net Name	Voltage (V)	Description
S5GX_VCC	0.9 ⁽¹⁾	VCC, VCCHIP, VCCHSSI FPGA core power.
VCCR_GTB	1.0	Transceiver receiver power for 28G channels.
VCCT_GTB	1.0	Transceiver transmit power for 28G channels.
VCCL_GTB	1.0	Transceiver clocking power for 28G channels.
VCCRT_GXB	0.9 or 1.0	Shared VCCR_GXB and VCCT_GXB transceiver power for 12.5G channels.
VCCA_GXB	2.5 or 3.0	Transceiver analog clock power
VCCH_GXB	1.5	Transceiver TX buffer voltage
VCCD_FPLL	1.5	FPGA core D PPL voltage
VCCPT	1.5	FPGA programmable power technology

Note to Table 2-41:

(1) This value is based on a C1 or C2 speed grade. Voltage level for a C3 speed grade is 0.85 V.

The LTC2978 power monitor devices installed on this board are programmed with a project file that sets up each voltage rail according to a sequence. Each voltage rail adjusts to its voltage level to within a certain tolerance. These two voltage rails can be adjusted through switch SW2.

Table 2-42 lists the VCCRT_GXB and VCCA_GXB voltage rails and their voltage level depending on the switch position.

Table 2-42. Voltage Level Setting

Switch (Position 1 and 2)	Schematic Net Name	Voltage (V)
Close (Default)	VCCRT_GXB	1.0
	VCCA_GXB	3.0
Open	VCCRT_GXB	0.9
	VCCA_GXB	2.5



If the board is powered off and powered on again with SW2 in the open position, the voltages for VCCRT_GXB and VCCA_GXB voltage rails read 0.90 V and 2.5 V respectively and will not come up to the proper levels. This is due to the LTC2978 device trying to adjust these rails to their programmed values, which it cannot due to the switch position of SW2. The work around to this issue is to set switch SW2 in the close position at power up.

Table 2-43 lists the power monitor devices component reference and manufacturing information.

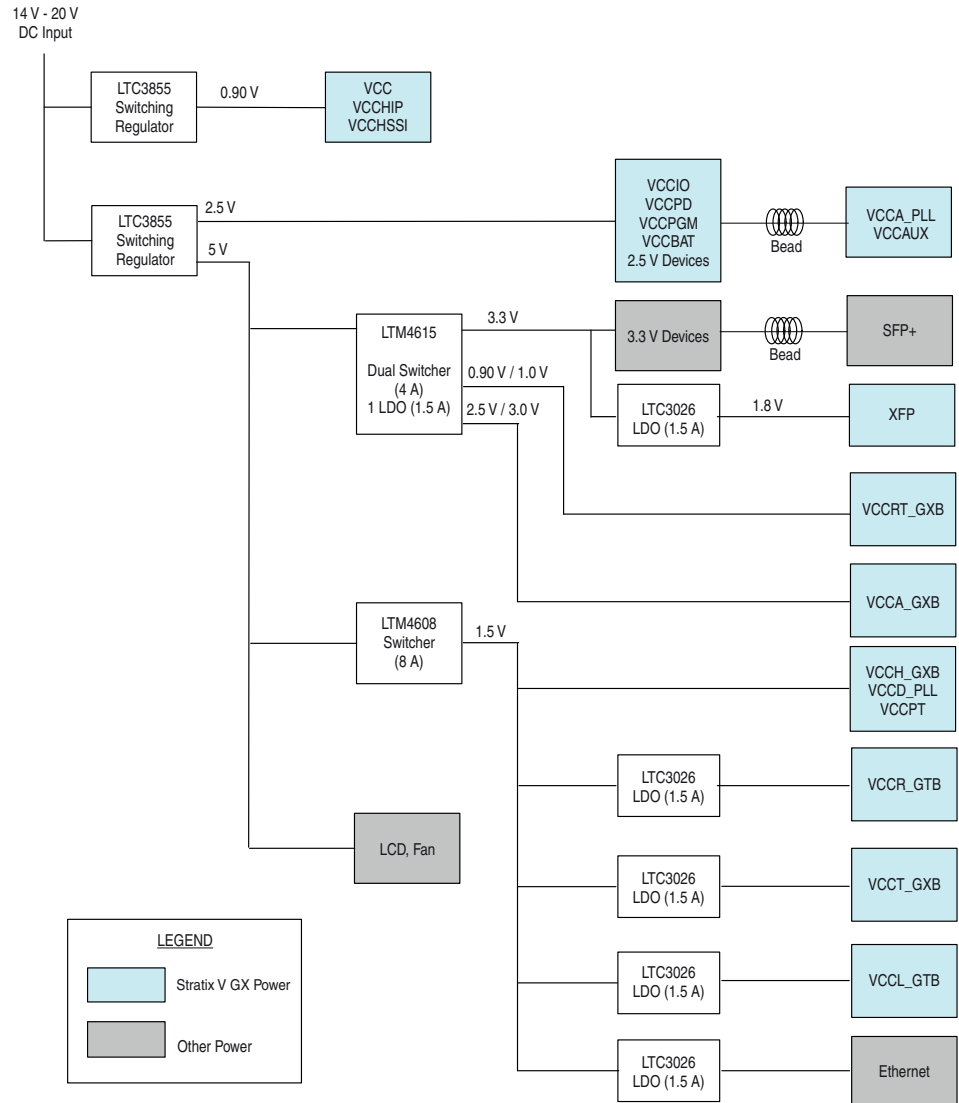
Table 2-43. Power Measurement ADC Component References and Manufacturing Information

Board Reference	Description	Manufacturer	Manufacturing Part Number	Manufacturer Website
U10, U11	IC, power supply monitor w/EPROM, octal PMBUS	Linear Technology	LTC2978CUP#PBF	www.linear.com

Power Distribution System

Figure 2-10 shows the power distribution system on the development board. The VCCR_GTB, VCCT_GTB, and VCCL_GTB power rails are separated on the 28G transceivers but are combined on the 12.5G transceivers.

Figure 2-10. Power Distribution System



Temperature Sense

The Stratix V GX die uses a MAX1619 temperature sense device for temperature monitoring. The device connects to the MAX II CPLD EPM2210 System Controller and the Stratix V GX device by a 2-wire SMB interface. The MAX1619 device is located at slave address 0011000b (18h).

The OVERTEMPn and TSENSE_ALERTn signals are driven by the MAX1619 temperature sense device based on a programmable threshold temperature. The OVERTEMPn signal is driven to the MAX II System Controller. An over-temperature warning LED (D7) indicates the temperature fault condition.

Table 2-44 lists the temperature sense interface pin assignments, signal names, and functions.

Table 2-44. Temperature Sense Pin Assignments, Schematic Signal Names, and Functions

Board Reference (U12)	Schematic Signal Name	I/O Standard	MAX II CPLD System Controller Pin Number	Stratix V GX Device Pin Number	Description
14	SMBCLK_TEMP	3.3-V	D3	B8	SMB clock
12	SMBDATA_TEMP		C2	A8	SMB data
11	ALERTn		D2	E8	Programmable alert
9	OVERTEMPn		E4	E7	Fan enable
3	TEMPDIODE_P		—	V11	Current source and remote diode input
4	TEMPDIODE_N		—	U11	Remote diode input

Table 2-45 lists the temperature sense component reference and manufacturing information.

Table 2-45. Temperature Sense Component Reference and Manufacturing Information

Board Reference	Description	Manufacturer	Manufacturing Part Number	Manufacturer Website
U12	Temperature sense, remote and local, programmable alert.	Maxim	MAX1619MEE+T	www.maxim-ic.com



Statement of China-RoHS Compliance

Table 2-46 lists hazardous substances included with the kit.

Table 2-46. Table of Hazardous Substances' Name and Concentration *Notes (1), (2)*

Part Name	Lead (Pb)	Cadmium (Cd)	Hexavalent Chromium (Cr6+)	Mercury (Hg)	Polybrominated biphenyls (PBB)	Polybrominated diphenyl Ethers (PBDE)
Stratix V GX transceiver signal integrity development board	X*	0	0	0	0	0
14 V power supply	0	0	0	0	0	0
Type A-B USB cable	0	0	0	0	0	0
User guide	0	0	0	0	0	0

Notes to Table 2-46:

- (1) 0 indicates that the concentration of the hazardous substance in all homogeneous materials in the parts is below the relevant threshold of the SJ/T11363-2006 standard.
- (2) X* indicates that the concentration of the hazardous substance of at least one of all homogeneous materials in the parts is above the relevant threshold of the SJ/T11363-2006 standard, but it is exempted by EU RoHS.

This appendix catalogs revisions to the Stratix V GX transceiver signal integrity development board.

Table A-1 lists the versions of all releases of the Stratix V GX transceiver signal integrity development board.

Table A-1. Transceiver Signal Integrity Development Kit Revision History

Version	Release Date	Description
Production silicon	July 2012	<ul style="list-style-type: none"> ■ New production device part number. ■ New voltage levels for production silicon. ■ Updated printed circuit board (PCB) for two revisions; rev-C, rev-D.
Engineering silicon	September 2011	Initial release.

Engineering Silicon Version Differences

The engineering silicon version of the Stratix V GX transceiver signal integrity development board is the initial release of the board. This section describes the differences between the engineering silicon and production silicon versions of the board.

Power Supply

Table A-2 lists information for the targeted power rails whose voltage values on the engineering silicon board differ from the production silicon board. Table 2-40 on page 2-39 shows the production silicon voltage values.

Table A-2. Power Requirements (Engineering Silicon)

Device	Voltage Name	Voltage (V)	Note
FPGA	S5GX_VCC	0.85	VCC VCCHIP VCCHSSI
	2p5V	2.5	VCCIO VCCPD VCCREF VCCPGM VCCBAT VCC_CLKIN
	2p5V_FLTR	2.5	Ferrite filtered from 2p5V, VCCA_PLL, and VCCAUX
	1p5V	1.5	VCCPT VCCH_GXB VCCD_FPLL
	VCCBAT	1.5	BT1 socket
	VCCR_GTB (28G channels)	0.85 or 1.0	LDO
	VCCT_GTB (28G channels)	0.85 or 1.0	LDO
	VCCL_GTB (28G channels)	0.85 or 1.0	LDO
	VCCRT_GXB	0.85 or 1.0	Low noise switcher
	VCCA_GXB	2.5 or 3	Low noise switcher
	VCCH_GXB	1.5	Tied to 1p5V (low noise switcher)
	MAX V (for FPP configuration)	2p5V	2.5
Flash	2p5V	2.5	Core
	XFP_1p8V	1.8	I/O
MAX II (for USB-Blaster)	2p5V	3.3	Core or I/O
EEPROM	USBVCC	5.0	—
USB PHY	USBVCC	5.0	Core
	2p5V_USB	2.5	I/O
Power monitor	5V	5.0	—

Table A-2. Power Requirements (Engineering Silicon)

Device	Voltage Name	Voltage (V)	Note
Temperature sense ADC	3p3V	3.3	—
ICS557-03 spread spectrum clock buffer (x1)	3p3V	3.3	25-MHz clock output to the FPGA
ICS8304 clock buffer	3p3V/2p5V	3.3/2.5	50-MHz clock outputs
IDT5T9306 transceiver REFCLK clock buffers (x4)	2p5V	2.5	Programmable clock outputs
T85A23157 dual analog switch	5V	5.0	—
Character LCD	5V	5.0	—
LEDs (x13)	2p5V	2.5	—
Board power LED	5V	5.0	—

Power Measurement

Table A-3 lists information for the voltage rails whose values on the engineering silicon board differ from the production silicon board. Table 2-41 on page 2-40 shows the production silicon voltage values.

Table A-3. Voltage Rails (Engineering Silicon)

Schematic Net Name	Voltage (V)	Description
S5GX_VCC	0.9	VCC, VCCHIP, VCCHSSI FPGA core power.
VCCR_GTB	1.1	Transceiver receiver power for 28G channels.
VCCT_GTB	1.1	Transceiver transmit power for 28G channels.
VCCL_GTB	1.1	Transceiver clocking power for 28G channels.
VCCRT_GXB	1.0 or 1.2	Shared VCCR_GXB and VCCT_GXB transceiver power for 12.5G channels.
VCCA_GXB	2.5 or 3.3	Transceiver analog clock power
VCCH_GXB	1.6	Transceiver TX buffer voltage
VCCD_PLL	1.6	FPGA core D PPL voltage
VCCPT	1.6	FPGA programmable power technology

This chapter provides additional information about the document and Altera.

Document Revision History

The following table shows the revision history for this document.

Date	Version	Changes
July 2012	1.1	<ul style="list-style-type: none"> ■ Updated the production device part number. ■ Added pin information for SMA connectors. ■ Updated the schematic signal names for all GXB receive pins in Table 2–19 and Table 2–20. ■ Updated the board reference numbers in Table 2–21. ■ Added information on startup issue for VCCRT / VCCA voltage rails. ■ Converted document to new frame template and made textual and style changes.
September 2011	1.0	Initial release.

How to Contact Altera

To locate the most up-to-date information about Altera products, refer to the following table.








Contact ⁽¹⁾	Contact Method	Address
Technical support	Website	www.altera.com/support
Technical training	Website	www.altera.com/training
	Email	custrain@altera.com
Product literature	Website	www.altera.com/literature
Nontechnical support (general) (software licensing)	Email	nacomp@altera.com
	Email	authorization@altera.com

Note to Table:

(1) You can also contact your local Altera sales office or sales representative.

Typographic Conventions

The following table shows the typographic conventions this document uses.

Visual Cue	Meaning
Bold Type with Initial Capital Letters	Indicate command names, dialog box titles, dialog box options, and other GUI labels. For example, Save As dialog box. For GUI elements, capitalization matches the GUI.
bold type	Indicates directory names, project names, disk drive names, file names, file name extensions, software utility names, and GUI labels. For example, <code>\qdesigns</code> directory, D: drive, and <code>chiptrip.gdf</code> file.
<i>Italic Type with Initial Capital Letters</i>	Indicate document titles. For example, <i>Stratix IV Design Guidelines</i> .
<i>italic type</i>	Indicates variables. For example, $n + 1$. Variable names are enclosed in angle brackets (<>). For example, <code><file name></code> and <code><project name>.pof</code> file.
Initial Capital Letters	Indicate keyboard keys and menu names. For example, the Delete key and the Options menu.
“Subheading Title”	Quotation marks indicate references to sections in a document and titles of Quartus II Help topics. For example, “Typographic Conventions.”
Courier type	Indicates signal, port, register, bit, block, and primitive names. For example, <code>data1</code> , <code>tdi</code> , and <code>input</code> . The suffix <code>n</code> denotes an active-low signal. For example, <code>resetn</code> . Indicates command line commands and anything that must be typed exactly as it appears. For example, <code>c:\qdesigns\tutorial\chiptrip.gdf</code> . Also indicates sections of an actual file, such as a Report File, references to parts of files (for example, the AHDL keyword <code>SUBDESIGN</code>), and logic function names (for example, <code>TRI</code>).
↵	An angled arrow instructs you to press the Enter key.
1., 2., 3., and a., b., c., and so on	Numbered steps indicate a list of items when the sequence of the items is important, such as the steps listed in a procedure.
■ ■ ■	Bullets indicate a list of items when the sequence of the items is not important.
	The hand points to information that requires special attention.
	The question mark directs you to a software help system with related information.
	The feet direct you to another document or website with related information.
	The multimedia icon directs you to a related multimedia presentation.
	A caution calls attention to a condition or possible situation that can damage or destroy the product or your work.
	A warning calls attention to a condition or possible situation that can cause you injury.
	The envelope links to the Email Subscription Management Center page of the Altera website, where you can sign up to receive update notifications for Altera documents.