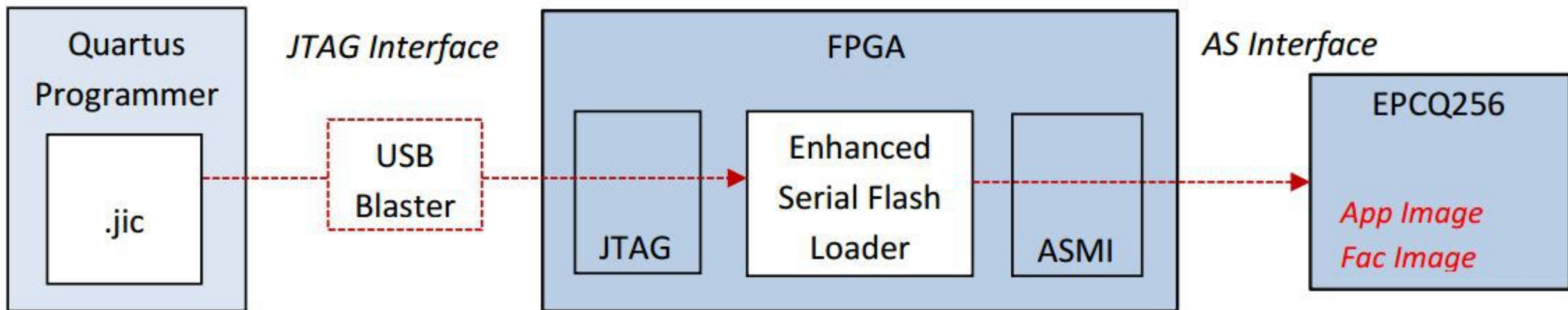


Step 1: Program Your Serial Configuration Device (EPCQ256) with the FPGA Configuration Image



Step 2: Configure Your FPGA from Your Serial Configuration Device (EPCQ256)

