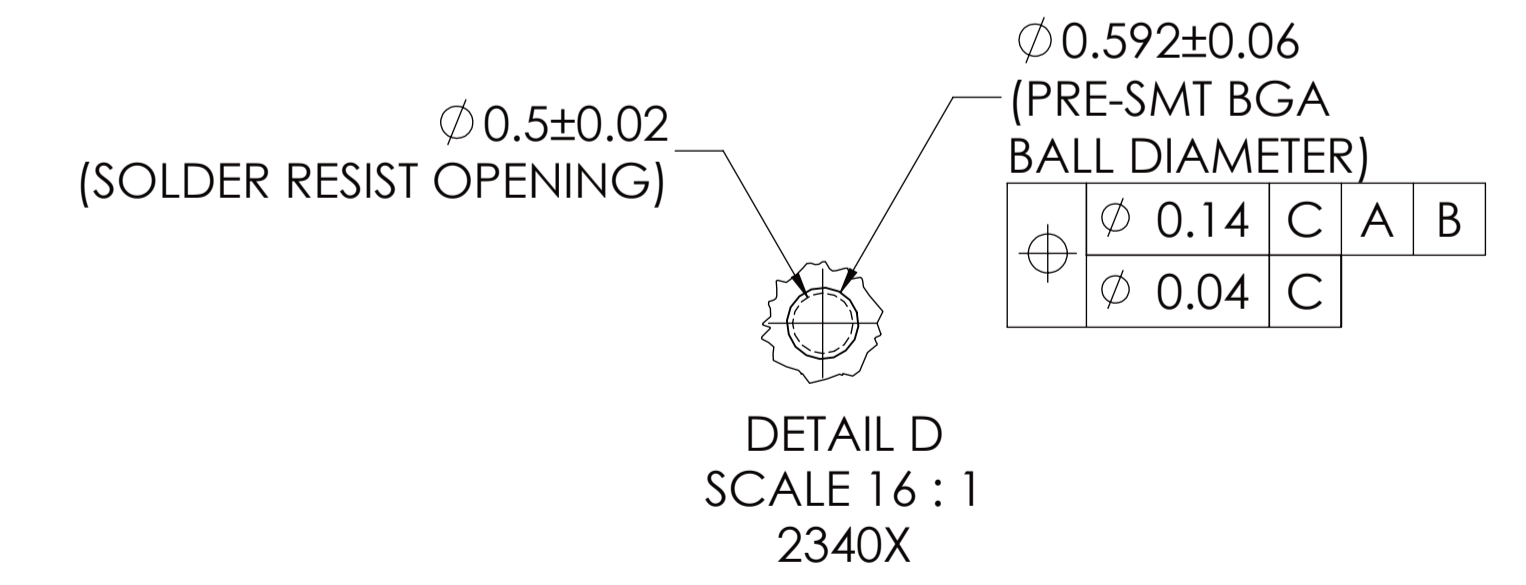
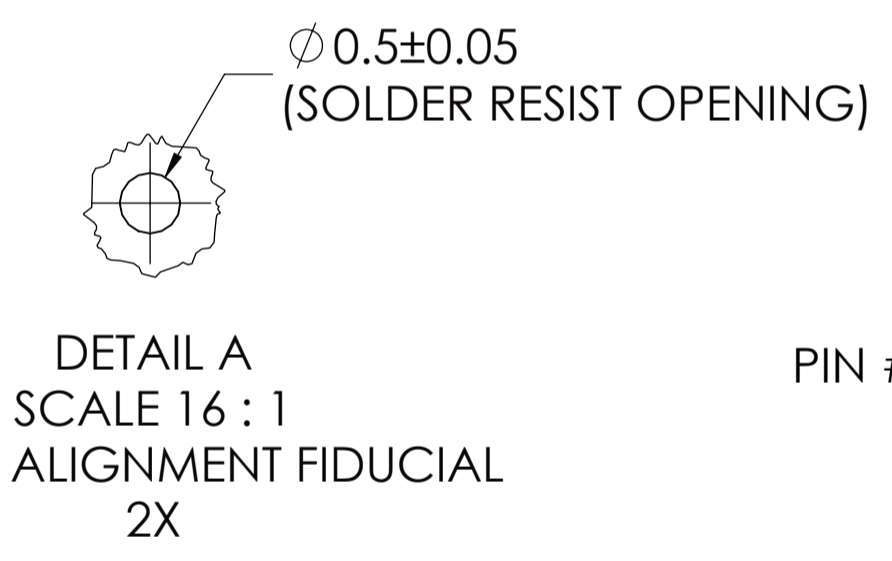
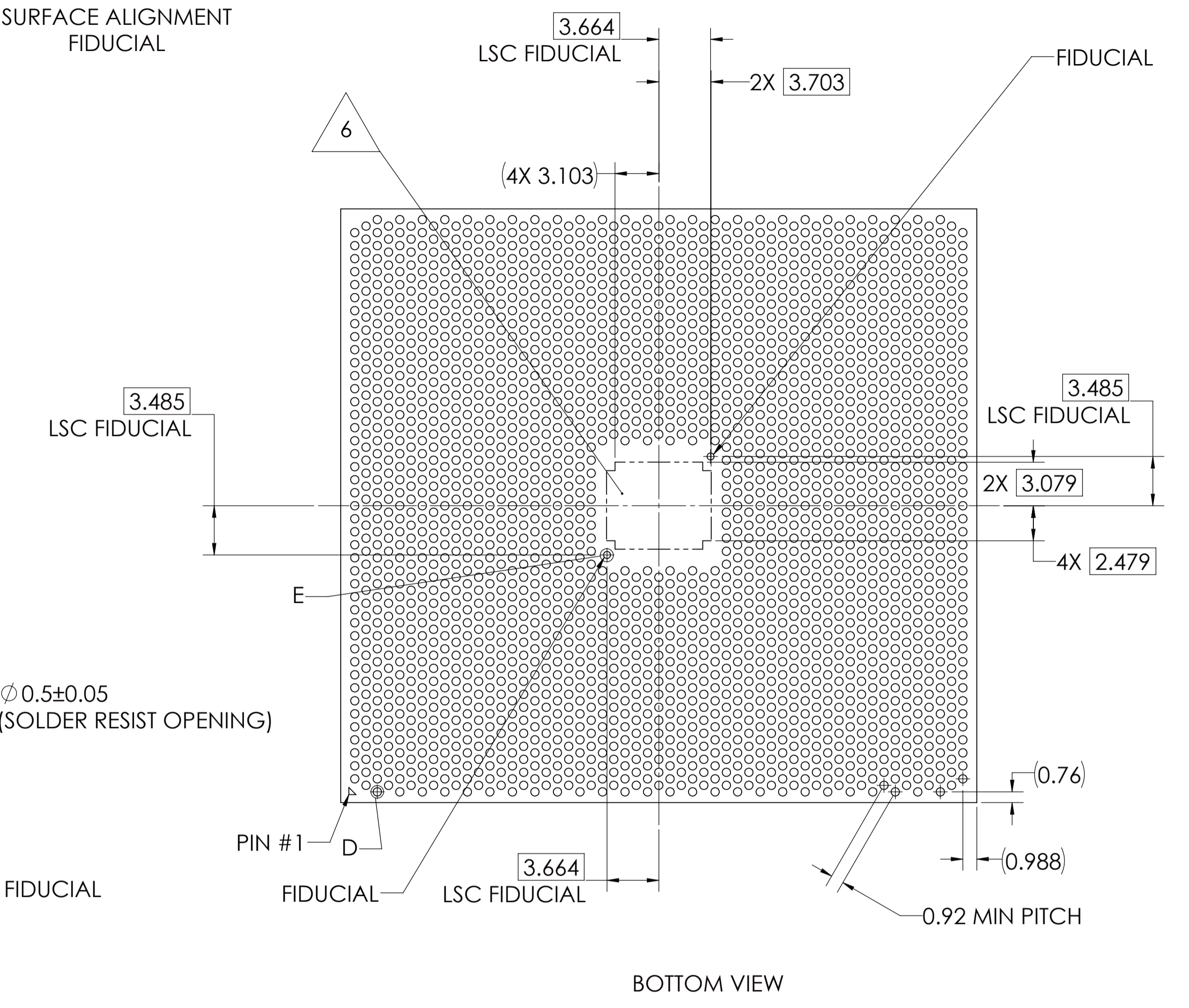
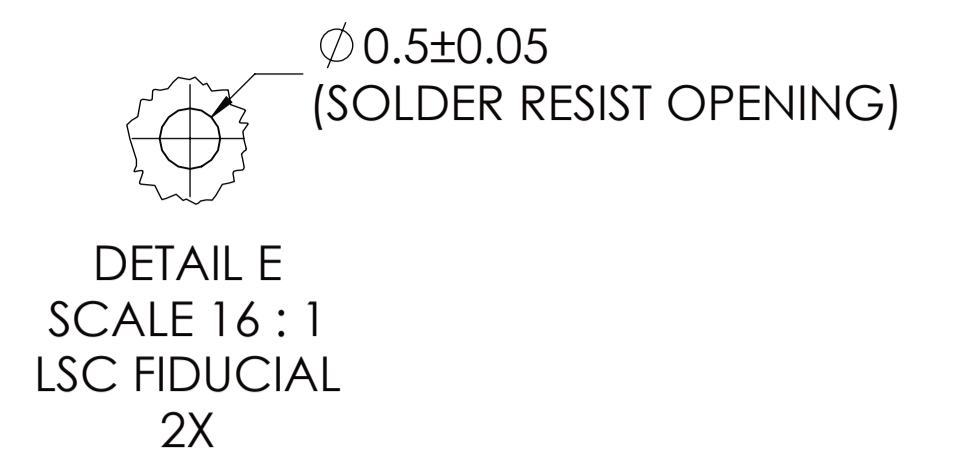
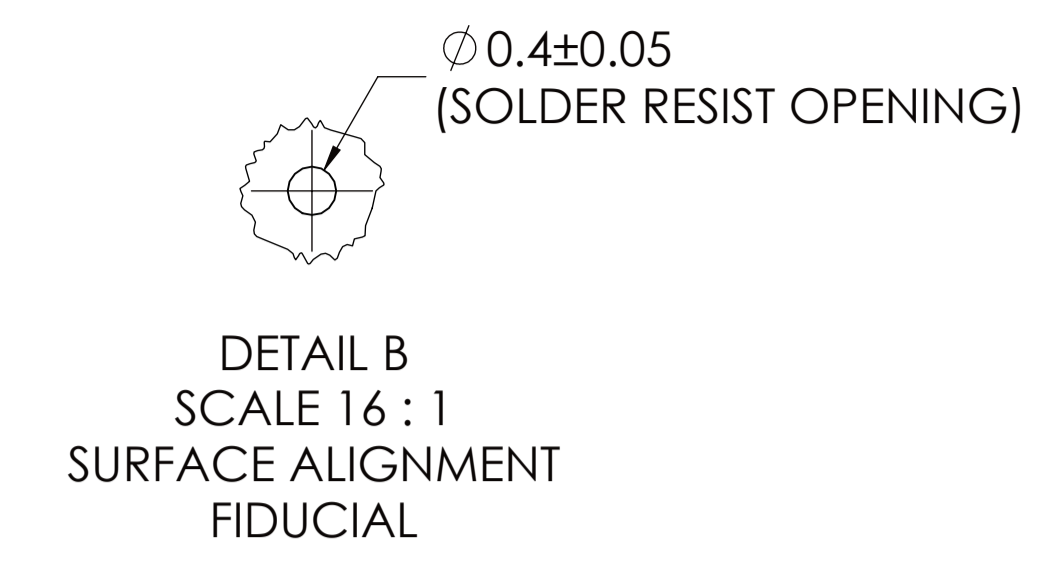
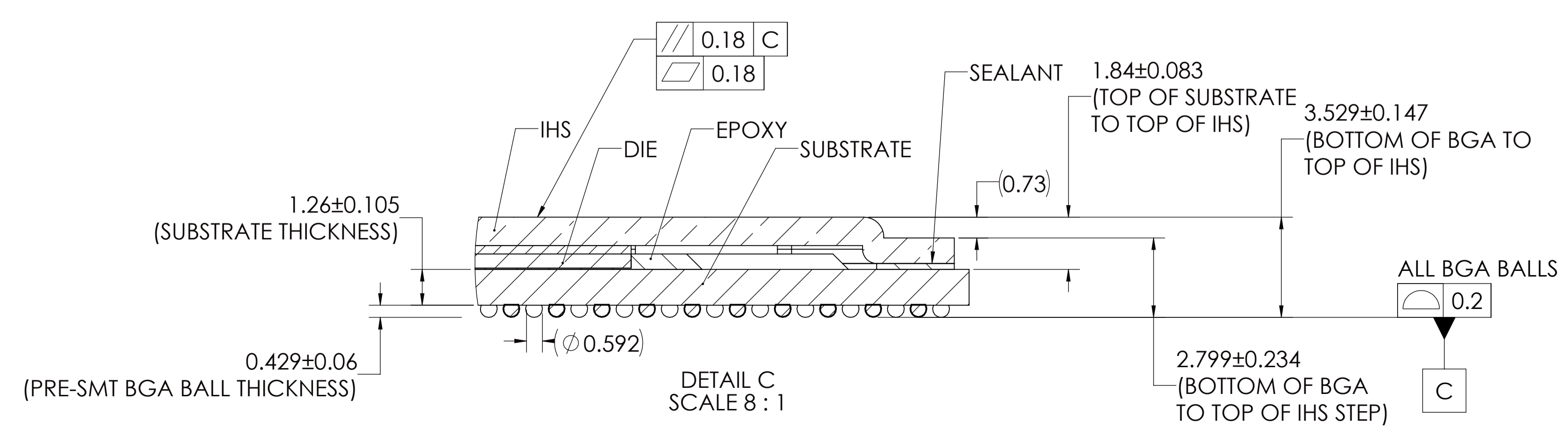
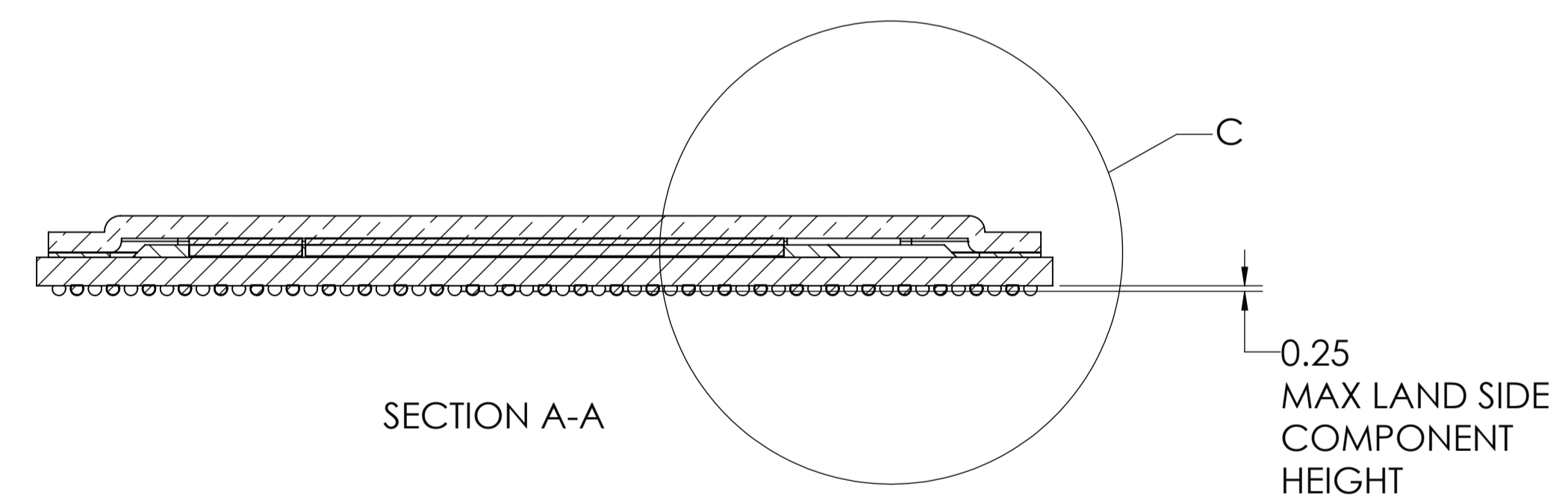
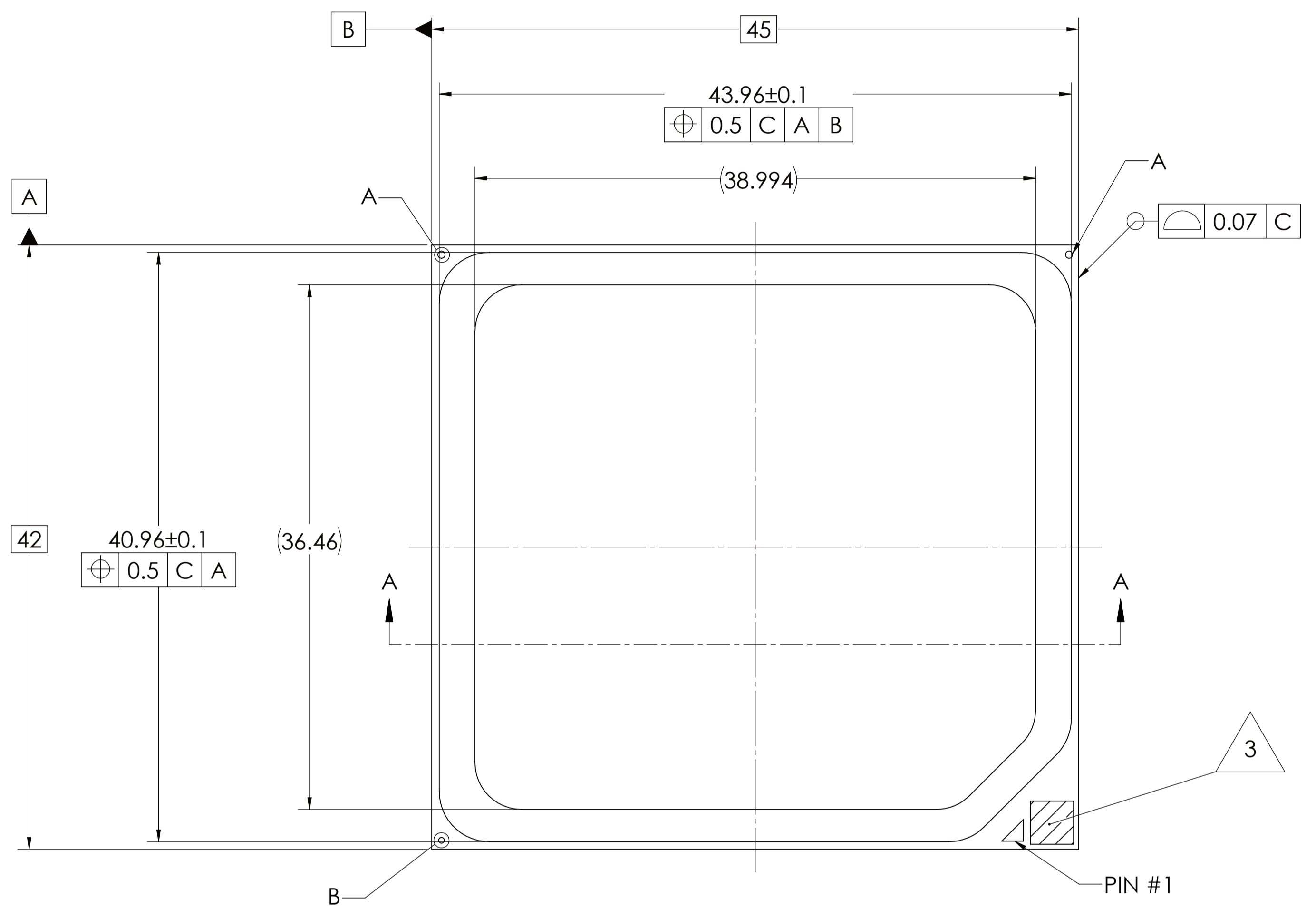


- NOTES:
1. ALL TOLERANCES ARE RSS (4 SIGMA).
 2. ALL Z STACK UP HEIGHT ESTIMATES ARE BASED ON PRE SMT BALL HEIGHT.
 3. MARK KEEP IN ZONE, NO COMPONENTS ALLOWED.
 4. NOMINAL PACKAGE MASS ESTIMATE = 24.4 GRAMS. ACTUAL MASS MAY VARY DUE TO MANUFACTURING PROCESS.
 5. ALL Z-HEIGHT RELATED DIMENSIONS ARE BASED ON LIMITED SAMPLING DATA.
 6. LAND SIDE COMPONENT KEEP IN ZONE.



UNLESS OTHERWISE SPECIFIED: DIMENSIONS ARE IN MILLIMETERS. INTERPRET DIMENSIONS AND TOLERANCES PER ASME Y14.5-2009.	DESIGNED BY	DATE	DEPARTMENT	 2200 MISSION COLLEGE BLVD. P.O. BOX 58119 SANTA CLARA, CA 95052-8119
	DRAWN BY	DATE	TITLE	
	CHECKED BY	DATE	PACKAGE MECHANICAL DRAWING	
	APPROVED BY	DATE	45mm X 42mm, 2340 BALLS	
MATERIAL:	THIRD ANGLE PROJECTION			SCALE: 4:1
FINISH: SEE NOTES				DO NOT SCALE DRAWING
SIZE		DRAWING NUMBER		REV
A1		M67981		02
SHEET 1 OF 2				

8

7

6

5

4

3

1

DWG. NO. M67981 SH. 2 REV. 02

ZONE	REV	DESCRIPTION	DATE	APPR.
-	1	ENGINEERING RELEASE	12/2/2021	NB
SH1 A4, H8	2	REDUCED BALL COPLANARITY TO 0.2mm. REMOVED PRELIMINARY VALUE FLAGNOTE.	2/14/2023	CJ

8

7

6

5

4

3

2

1

H
G
F
E
D
C
B
A

H
G
F
E
D
C
B
A