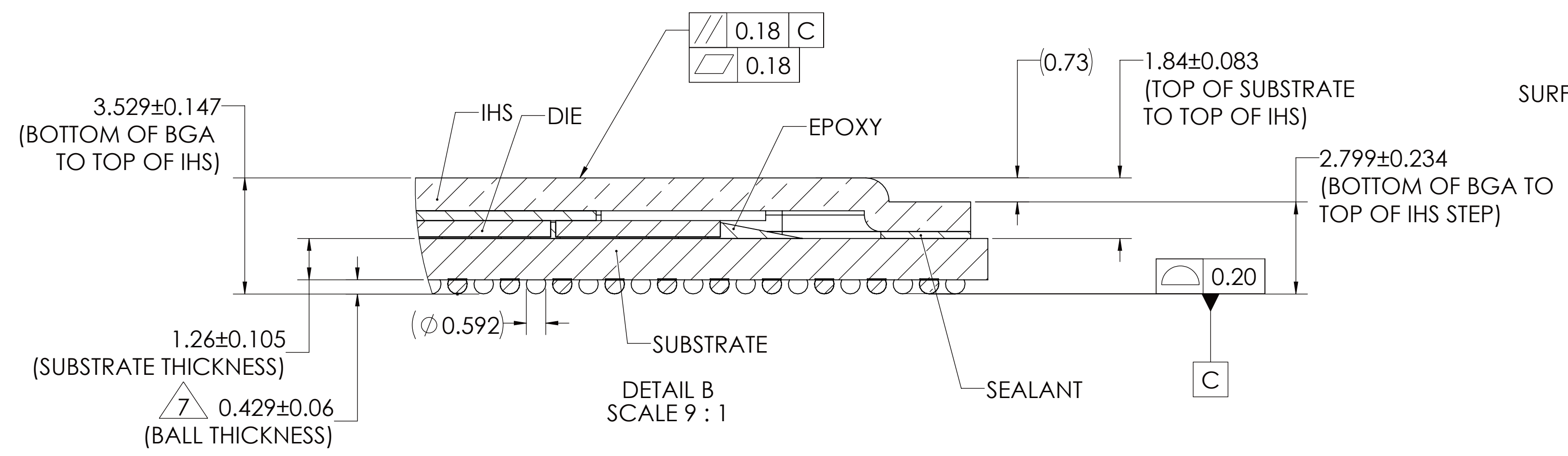
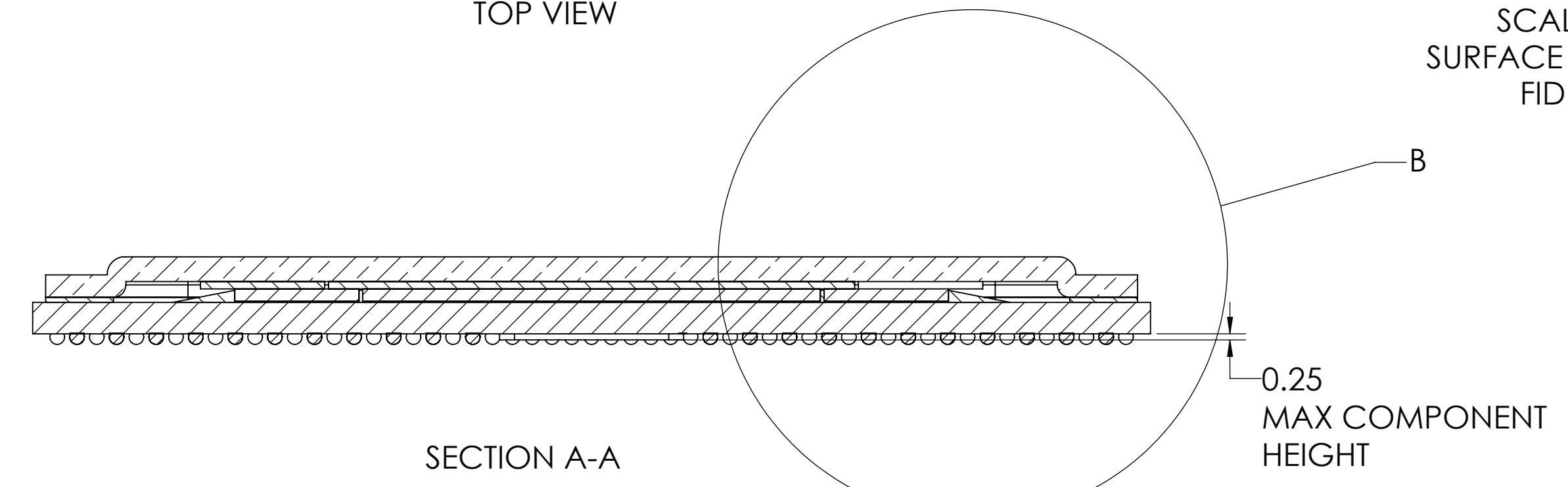
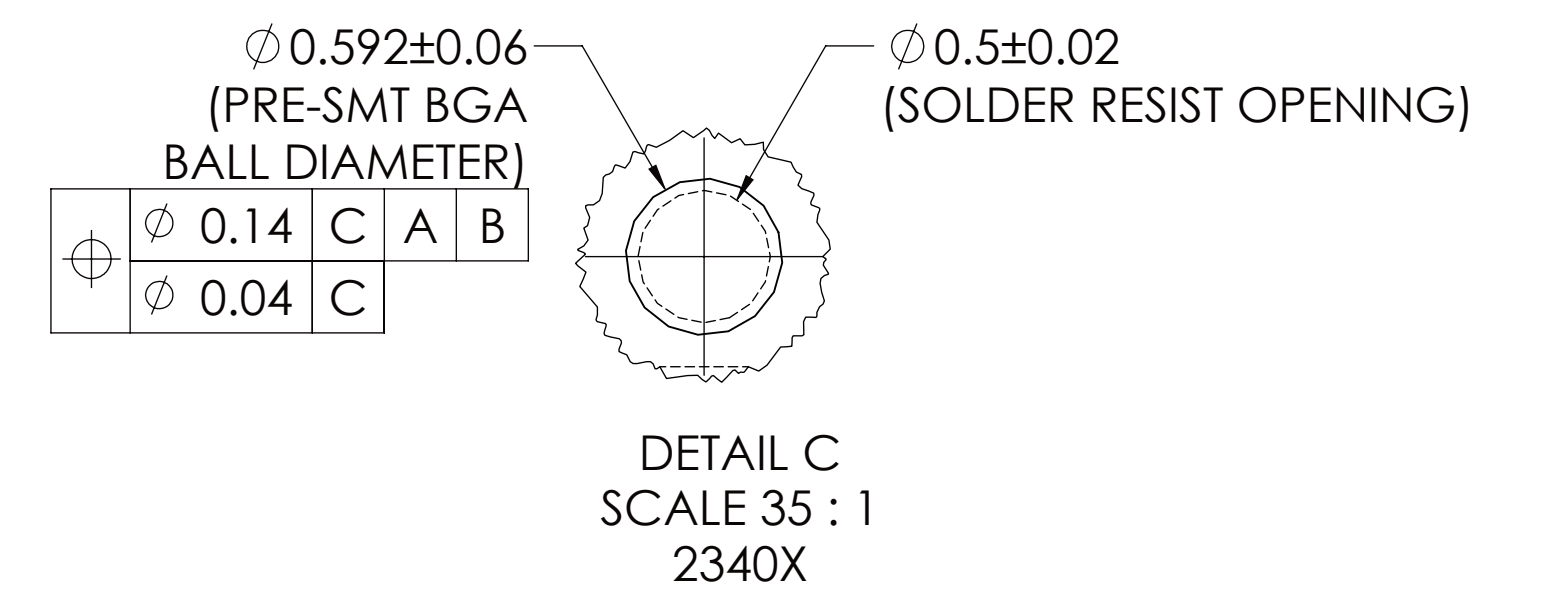
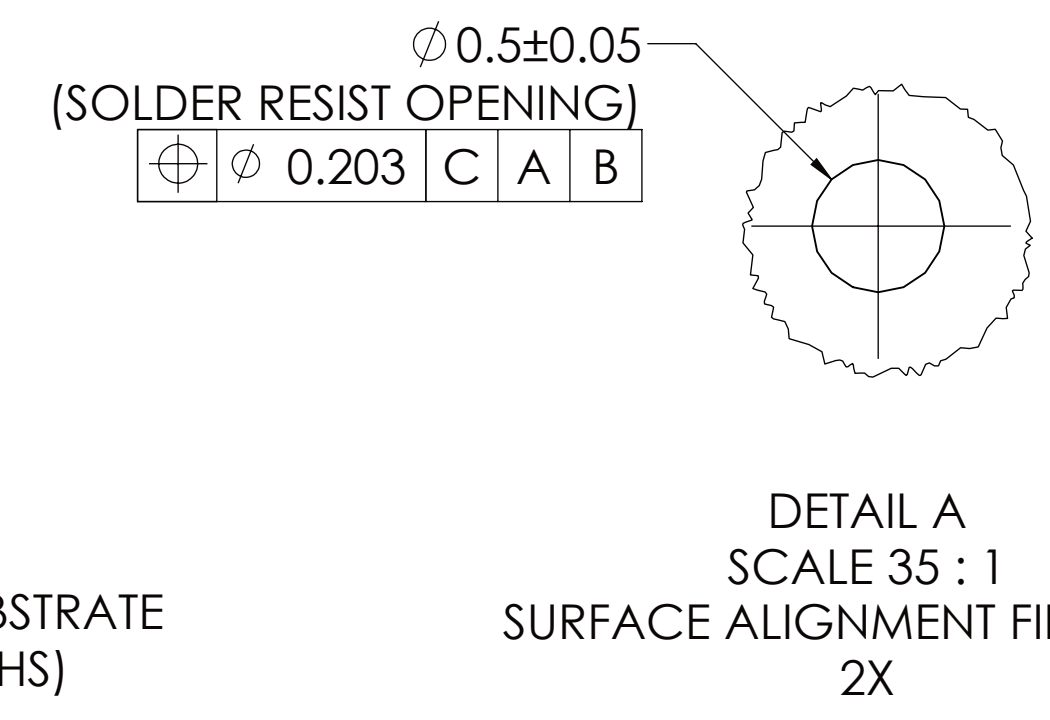
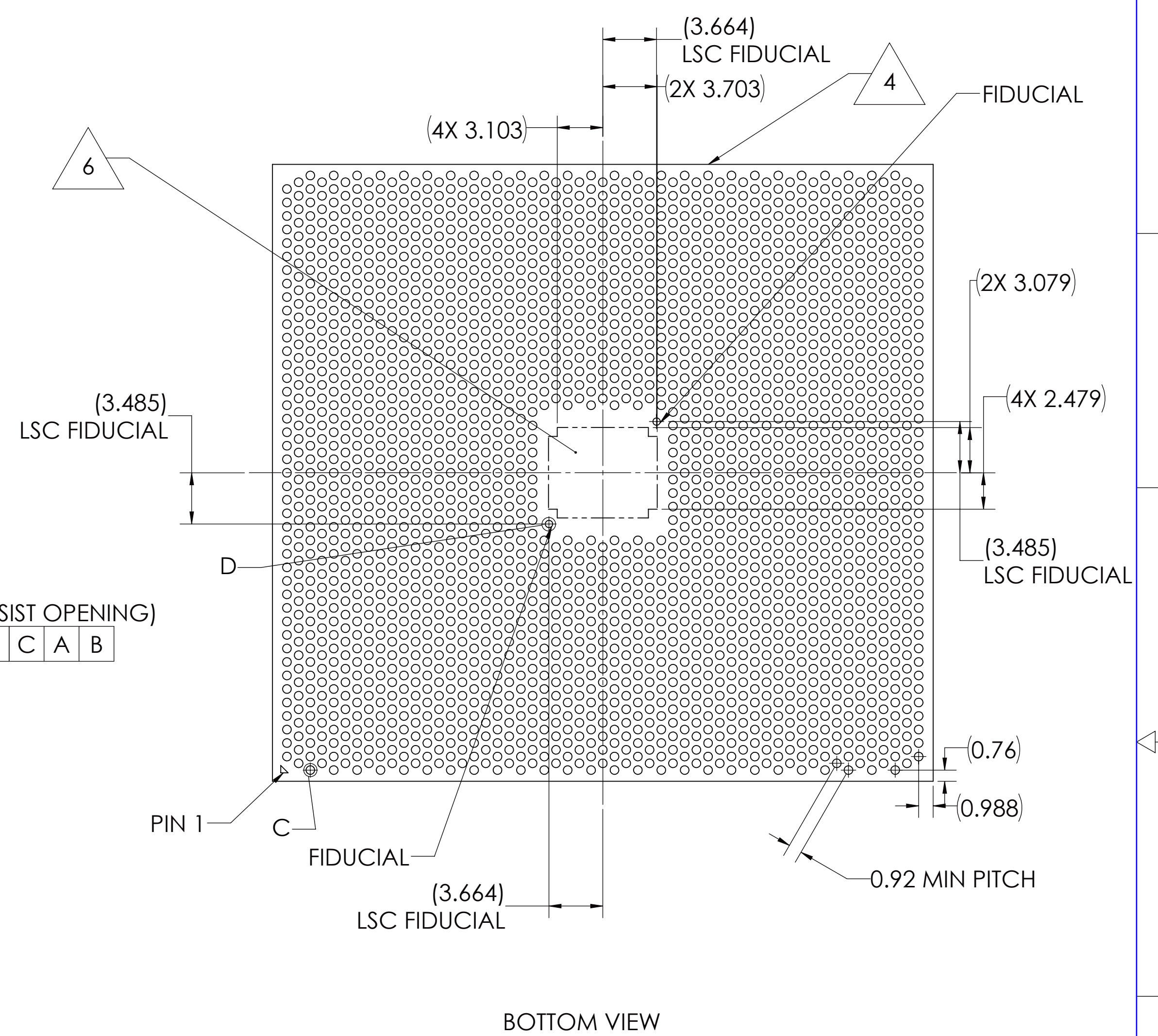
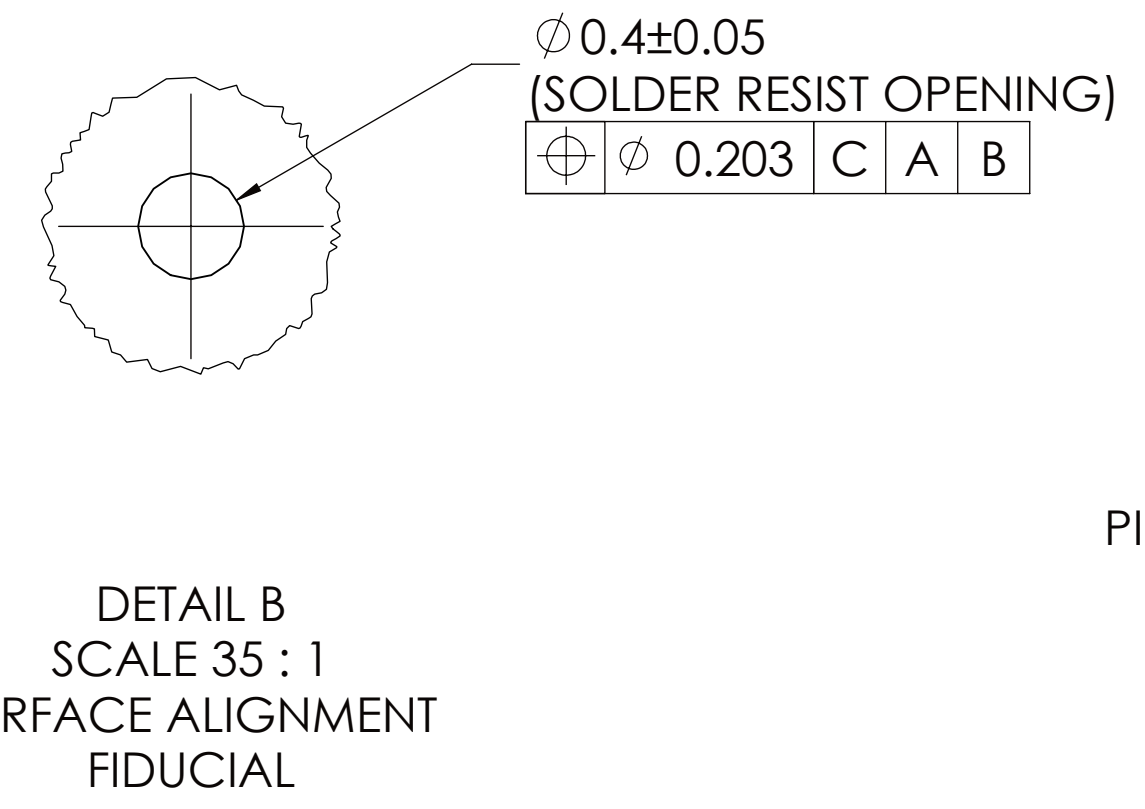
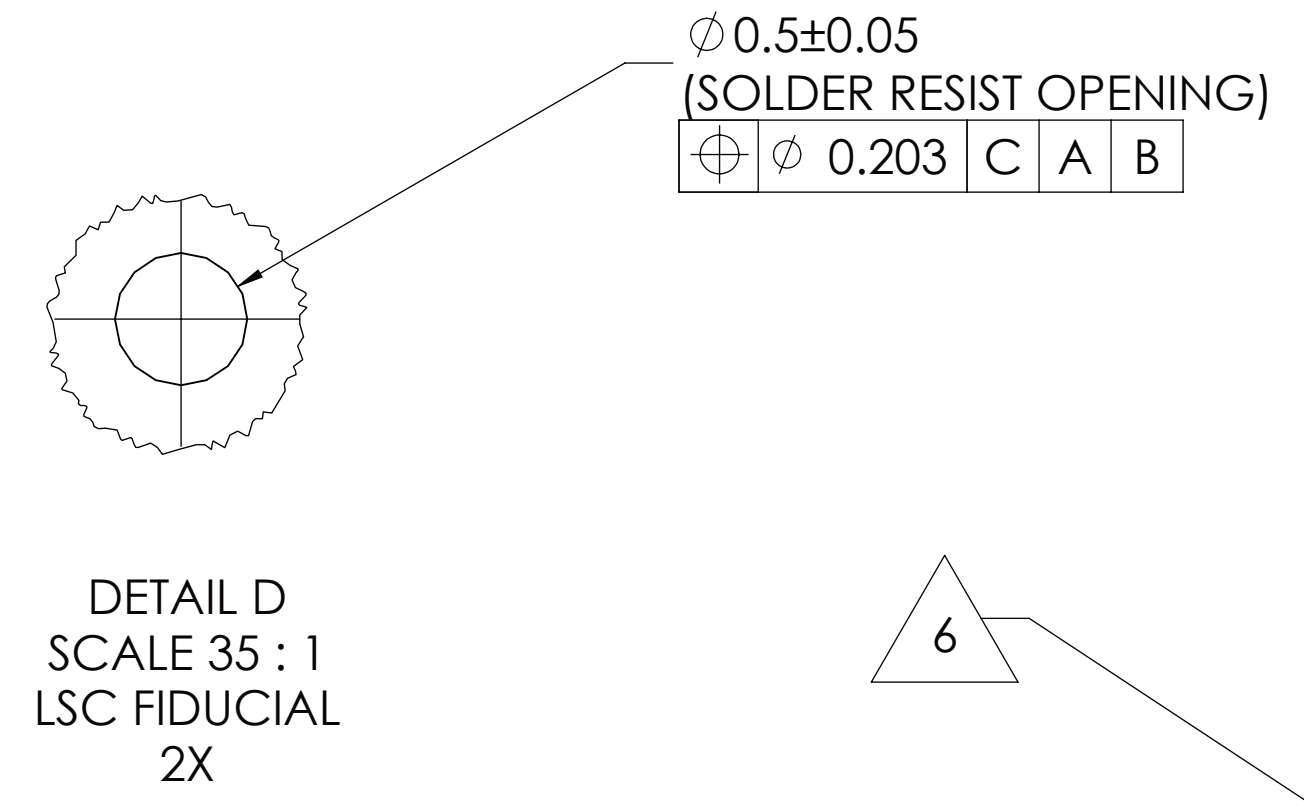
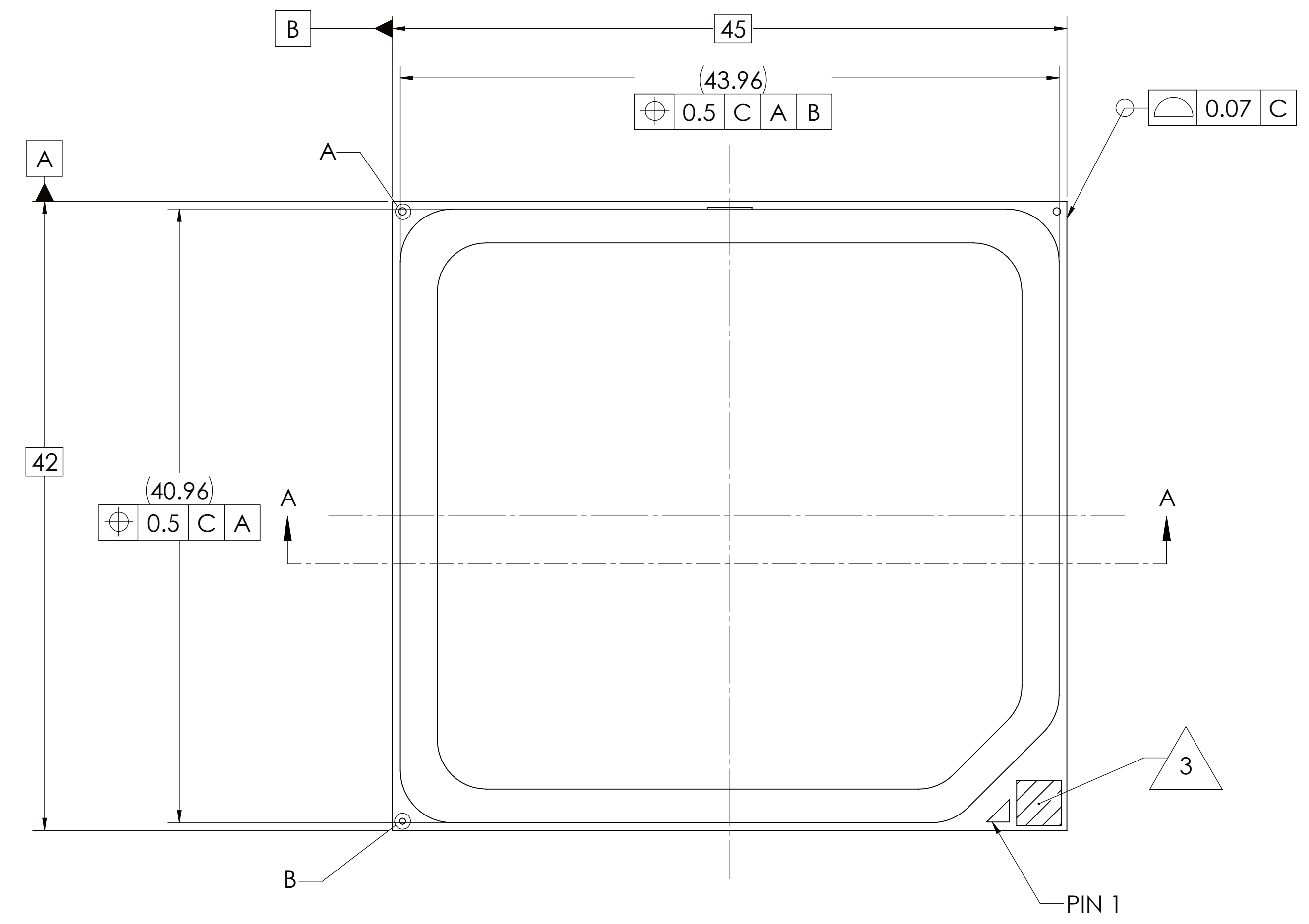


- NOTES:
1. ALL TOLERANCES ARE RSS (4 SIGMA).
  2. ALL Z STACK UP HEIGHT ESTIMATES ARE BASED ON PRE SMT BALL HEIGHT.
  3. MARK KOZ, NO COMPONENTS ALLOWED.
  4. NOMINAL PACKAGE MASS ESTIMATE = 24.4 GRAMS. ACTUAL WEIGHT MAY VARY DUE TO MANUFACTURING PROCESS.
  5. ALL Z-HEIGHT RELATED DIMENSIONS ARE BASED ON LIMITED SAMPLING DATA.
- △ LAND SIDE COMPONENT KEEP IN ZONE.
- △ INCOMNG BALL SIZE 22mils



UNLESS OTHERWISE SPECIFIED: DIMENSIONS ARE IN MILLIMETERS. INTERPRET DIMENSIONS AND TOLERANCES PER ASME Y14.5-2009.	DESIGNED BY	DATE	DEPARTMENT	 2200 MISSION COLLEGE BLVD. P.O. BOX 58119 SANTA CLARA, CA 95052-8119
	DRAWN BY	DATE	TITLE	
	CHECKED BY	DATE	PACKAGE MECHANICAL DRAWING 45mm X 42mm, 2340 BGA	
	APPROVED BY	DATE		
MATERIAL:	THIRD ANGLE PROJECTION			SIZE
FINISH: SEE NOTES				DRAWING NUMBER M63529
	SCALE: 4:1	DO NOT SCALE DRAWING	SHEET 1 OF 2	REV 02

8

7

6

5

4

3

1

H

H

G

G

F

F

E

E

D

D

C

C

B

B

A

A

ZONE	REV	DESCRIPTION	DATE	APPR.
-	1	PRELIMINARY RELEASE	10/21/2021	AK
SH 1	2	UPDATED COPLANARITY VALUE AND REMOVED PRELIMINARY NOTE	2/2/2023	AD

8

7

6

5

4

3

2

1