



Intel® Workstation Board WX58BP

Technical Product Specification

Intel order number: E65585-004



Revision 1.2

October, 2011

Enterprise Platforms and Services Division - Marketing

Revision History

Date	Revision Number	Modifications
February 2009	0.9	Initial release of the <i>Intel® Workstation Board WX58BP Technical Product Specification</i> .
April 2009	1.0	Minor edits and grammatical corrections.
March 2010	1.1	Updated PCI Express details in Add-in Card Connectors section.
October 2011	1.2	Minor edits.

Disclaimers

Information in this document is provided in connection with Intel® products. No license, express or implied, by estoppel or otherwise, to any intellectual property rights is granted by this document. Except as provided in Intel's Terms and Conditions of Sale for such products, Intel assumes no liability whatsoever, and Intel disclaims any express or implied warranty, relating to sale and/or use of Intel products including liability or warranties relating to fitness for a particular purpose, merchantability, or infringement of any patent, copyright or other intellectual property right. Intel products are not intended for use in medical, life saving, or life sustaining applications. Intel may make changes to specifications and product descriptions at any time, without notice.

Designers must not rely on the absence or characteristics of any features or instructions marked "reserved" or "undefined." Intel reserves these for future definition and shall have no responsibility whatsoever for conflicts or incompatibilities arising from future changes to them.

This document contains information on products in the design phase of development. Do not finalize a design with this information. Revised information will be published when the product is available. Verify with your local sales office that you have the latest datasheet before finalizing a design.

The *Intel® Workstation Board WX58BP Technical Product Specification* may contain design defects or errors known as errata which may cause the product to deviate from published specifications. Current characterized errata are available on request.

This document and the software described in it is furnished under license and may only be used or copied in accordance with the terms of the license. The information in this manual is furnished for informational use only, is subject to change without notice, and should not be construed as a commitment by Intel Corporation. Intel Corporation assumes no responsibility or liability for any errors or inaccuracies that may appear in this document or any software that may be provided in association with this document.

Except as permitted by such license, no part of this document may be reproduced, stored in a retrieval system, or transmitted in any form or by any means without the express written consent of Intel Corporation.

Intel, Pentium, Itanium, and Xeon are trademarks or registered trademarks of Intel Corporation.

*Other brands and names may be claimed as the property of others.

Copyright © 2011 Intel Corporation

Table of Contents

1. Product Description	1
1.1 Overview	1
1.1.1 Feature Summary	1
1.1.2 Board Layout	2
1.1.3 Block Diagram	4
1.2 Legacy Considerations	5
1.3 Online Support.....	5
1.4 Processor.....	5
1.5 System Memory	5
1.5.1 Memory Configurations.....	6
1.6 Intel® X58 Chipset.....	8
1.6.1 USB	8
1.6.2 Serial ATA Interfaces	9
1.7 Real-Time Clock (RTC) Subsystem.....	9
1.8 Legacy I/O Controller	10
1.9 Audio Subsystem.....	10
1.9.1 Audio Subsystem Software.....	10
1.9.2 Audio Connectors and Headers.....	10
1.9.3 8-Channel (7.1) Audio Subsystem	11
1.10 Lan Subsystem	12
1.10.1 Intel® 82567LM Gigabit Ethernet Controller	12
1.10.2 LAN Subsystem Software	13
1.10.3 RJ-45 LAN Connector with Integrated LEDs	13
1.11 Hardware Management Subsystem.....	14
1.11.1 Hardware Monitoring and Fan Control.....	14
1.11.2 Fan Monitoring.....	14
1.11.3 Chassis Intrusion and Detection	14
1.11.4 Thermal Monitoring.....	15
1.12 Power Management.....	16
1.12.1 ACPI	16
1.12.2 Hardware Support.....	19
1.12.3 ENERGY STAR*	23

2. Technical Reference	24
2.1 Memory Resources.....	24
2.1.1 Addressable Memory.....	24
2.1.2 Memory Map.....	26
2.2 Connectors and Headers.....	26
2.2.1 Back Panel Connectors	27
2.2.2 Component-side Connectors and Headers	28
2.3 BIOS Setup Configuration Jumper Block.....	36
2.4 Mechanical Considerations.....	37
2.4.1 Form Factor	37
2.5 Electrical Considerations	38
2.5.1 Power Supply Considerations.....	38
2.5.2 Fan Header Current Capability	39
2.5.3 Add-in Board Considerations.....	39
2.6 Thermal Considerations.....	39
2.7 Reliability	42
2.8 Environmental.....	42
3. Overview of BIOS Features	43
3.1 Introduction	43
3.2 BIOS Flash Memory Organization	44
3.3 Resource Configuration	44
3.3.1 PCI Auto-configuration.....	44
3.4 System Management BIOS (SMBIOS).....	45
3.5 Legacy USB Support	45
3.6 BIOS Updates.....	46
3.6.1 Language Support	46
3.6.2 Custom Splash Screen	46
3.7 BIOS Recovery	46
3.8 Boot Options	47
3.8.1 CD-ROM Boot.....	47
3.8.2 Network Boot	47
3.8.3 Booting Without Attached Devices	47
3.8.4 Changing the Default Boot Device During POST	47
3.9 Adjusting Boot Speed	48
3.9.1 Peripheral Selection and Configuration	48

3.9.2	BIOS Boot Optimizations	48
3.10	BIOS Security Features	49
4.	Error Messages and Beep Codes	50
4.1	Speaker	50
4.2	BIOS Beep Codes	50
4.3	BIOS Error Messages	50
4.4	Port 80h POST Codes	51
5.	Regulatory Compliance and Battery Disposal Information	55
5.1	Regulatory Compliance	55
5.1.1	Safety Standards	55
5.1.2	European Union Declaration of Conformity Statement	56
5.1.3	Product Ecology Statements	57
5.1.4	EMC Regulations	61
5.1.5	Product Certification Markings (Board Level)	62
5.2	Battery Disposal Information	63
Glossary	67

List of Figures

Figure 1. Major Board Components	2
Figure 2. Block Diagram	4
Figure 3. Memory Channel and DIMM Configuration.....	7
Figure 4. Back Panel Audio Connector Options	11
Figure 5. LAN Connector LED Locations	13
Figure 6. Thermal Sensors and Fan Headers.....	15
Figure 7. Locations of Indicator LEDs	22
Figure 8. Detailed System Memory Address Map.....	25
Figure 9. Back Panel Connectors	27
Figure 10. Component-side Connectors and Headers	28
Figure 11. Connection Diagram for Front Panel Header	33
Figure 12. Connection Diagram for Front Panel USB Headers	35
Figure 13. Connection Diagram for IEEE 1394a Header	35
Figure 14. Location of the BIOS Setup Configuration Jumper Block	36
Figure 15. Board Dimensions	37
Figure 16. Localized High Temperature Zones.....	40

List of Tables

Table 1. Feature Summary	1
Table 2. Components Shown in Figure 1	3
Table 3. Online Support	5
Table 4. Supported Memory Configurations	6
Table 5. Intel® X58 Chipset Information	8
Table 6. USB Information.....	8
Table 7. Audio Connectors and Headers Information	11
Table 8. LAN Connector LED States	13
Table 9. Effects of Pressing the Power Switch	16
Table 10. Power States and Targeted System Power	17
Table 11. Wake-up Devices and Events.....	18
Table 12. Power Connector Information	19
Table 13. Fan Headers Information	20
Table 14. System Memory Map	26
Table 15. Component-side Connectors and Headers Shown in Figure 10.....	29
Table 16. HD Audio Link Header	30
Table 17. Front Panel Audio Header	30
Table 18. Serial ATA Connectors	30
Table 19. Chassis Intrusion Header.....	31
Table 20. Front and Rear Chassis (3-Pin) Fan Headers	31
Table 21. Processor and Rear Chassis 2 (4-Pin) Fan Headers.....	31
Table 22. Processor Core Power Connector	32
Table 23. Main Power Connector	32
Table 24. Front Panel Header.....	33
Table 25. States for a One-Color Power LED	34
Table 26. States for a Two-Color Power LED	34
Table 27. BIOS Setup Configuration Jumper Settings.....	37
Table 28. Recommended Power Supply Current Values	38
Table 29. Fan Header Current Capability	39
Table 30. Thermal Considerations for Components	41
Table 31. Environmental Specifications.....	42
Table 32. BIOS Setup Program Menu Bar.....	43

Table 33. BIOS Setup Program Function Keys	44
Table 34. Acceptable Drives/Media Types for BIOS Recovery.....	46
Table 35. Boot Device Menu Options	47
Table 36. Supervisor and User Password Functions.....	49
Table 37. Beep Codes	50
Table 38. BIOS Error Messages	50
Table 39. Port 80h POST Code Ranges.....	51
Table 40. Port 80h POST Codes	52
Table 41. Typical Port 80h POST Sequence	54
Table 42. Safety Standards	55
Table 43. Lead-Free Board Markings	60
Table 44. EMC Regulations	61
Table 45. Product Certification Markings	62

<This page is intentionally left blank.>

1. Product Description

1.1 Overview

1.1.1 Feature Summary

Table 1 summarizes the major features of the board.

Table 1. Feature Summary

Feature	Description
Form Factor	ATX (12.00 inches by 9.60 inches [304.80 millimeters by 243.84 millimeters])
Form Factor	ATX (12.00 inches by 9.60 inches [304.80 millimeters by 243.84 millimeters])
Processor	<ul style="list-style-type: none"> Intel® Xeon® W3500/W3600 series Processor in an LGA1366 socket
Memory	<ul style="list-style-type: none"> Four 240-pin DDR3 SDRAM Dual Inline Memory Module (DIMM) sockets Support for DDR3 1333 MHz, DDR3 1066 MHz, and DDR3 800 MHz DIMMs Support for up to 16 GB of system memory Support for non-ECC memory and ECC memory
Chipset	Intel® X58 Chipset, consisting of: <ul style="list-style-type: none"> Intel® X58 I/O Hub (IOH) Intel® 82801JIR I/O Controller Hub (ICH10R)
Audio	Intel® High Definition Audio subsystem using the Realtek® ALC889 audio codec
Legacy I/O Control	Winbond legacy I/O controller
Peripheral Interfaces	<ul style="list-style-type: none"> 12 USB 2.0 ports Six internal Serial ATA interfaces with RAID support Two IEEE 1394a ports (one on back panel, one front-panel header)
BIOS	<ul style="list-style-type: none"> Intel® BIOS resident in the SPI Flash device Support for Advanced Configuration and Power Interface (ACPI), Plug and Play, and SMBIOS
Instantly Available PC Technology	<ul style="list-style-type: none"> Support for PCI Local Bus Specification Revision 2.2 Support for PCI Express® Revision 2.0 Suspend to RAM support Wake on PCI, front panel, and USB ports
LAN Support	Gigabit (10/100/1000 Mbits/sec) LAN subsystem using the Intel® 82567LM Gigabit Ethernet Controller
Expansion Capabilities	<ul style="list-style-type: none"> One PCI Conventional bus add-in card connector (SMBus routed to PCI Conventional bus add-in card connector) Two PCI Express® 2.0 x16 bus add-in card connectors One PCI Express® 2.0 x4 bus add-in card connector Two PCI Express® 1.1 x1 bus add-in card connectors
Hardware Monitor Subsystem	<ul style="list-style-type: none"> Hardware monitoring and fan control ASIC Voltage sense to detect out of range power supply voltages Thermal sense to detect out of range thermal values Three fan headers using PWM control Three fan sense inputs used to monitor fan activity Fan speed control using voltage control (3-pin fan headers front and rear)

Feature	Description
	<ul style="list-style-type: none"> Support for Product Environmental Control Interface (PECI)

1.1.2 Board Layout

Figure 1 shows the location of the major components on the Intel® Workstation Board WX58BP.

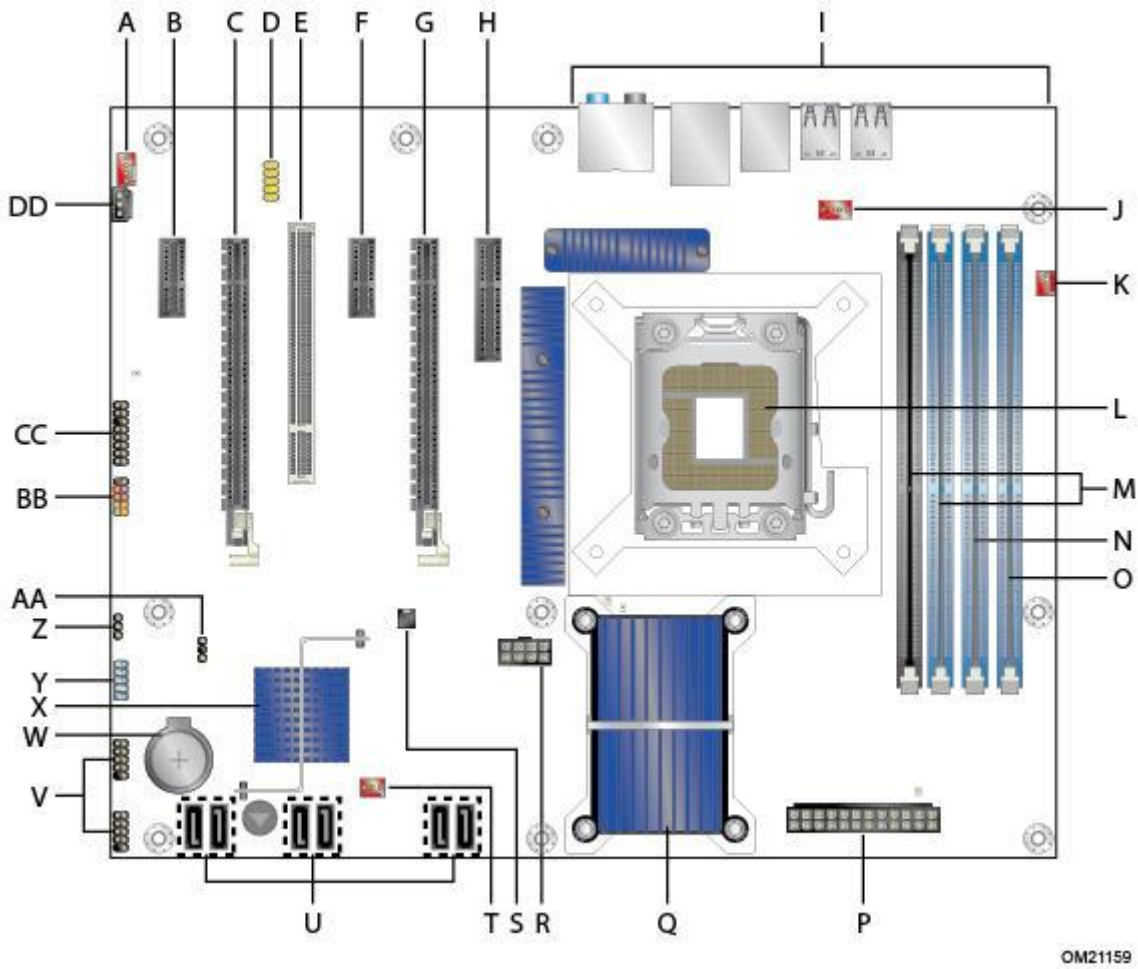


Figure 1. Major Board Components

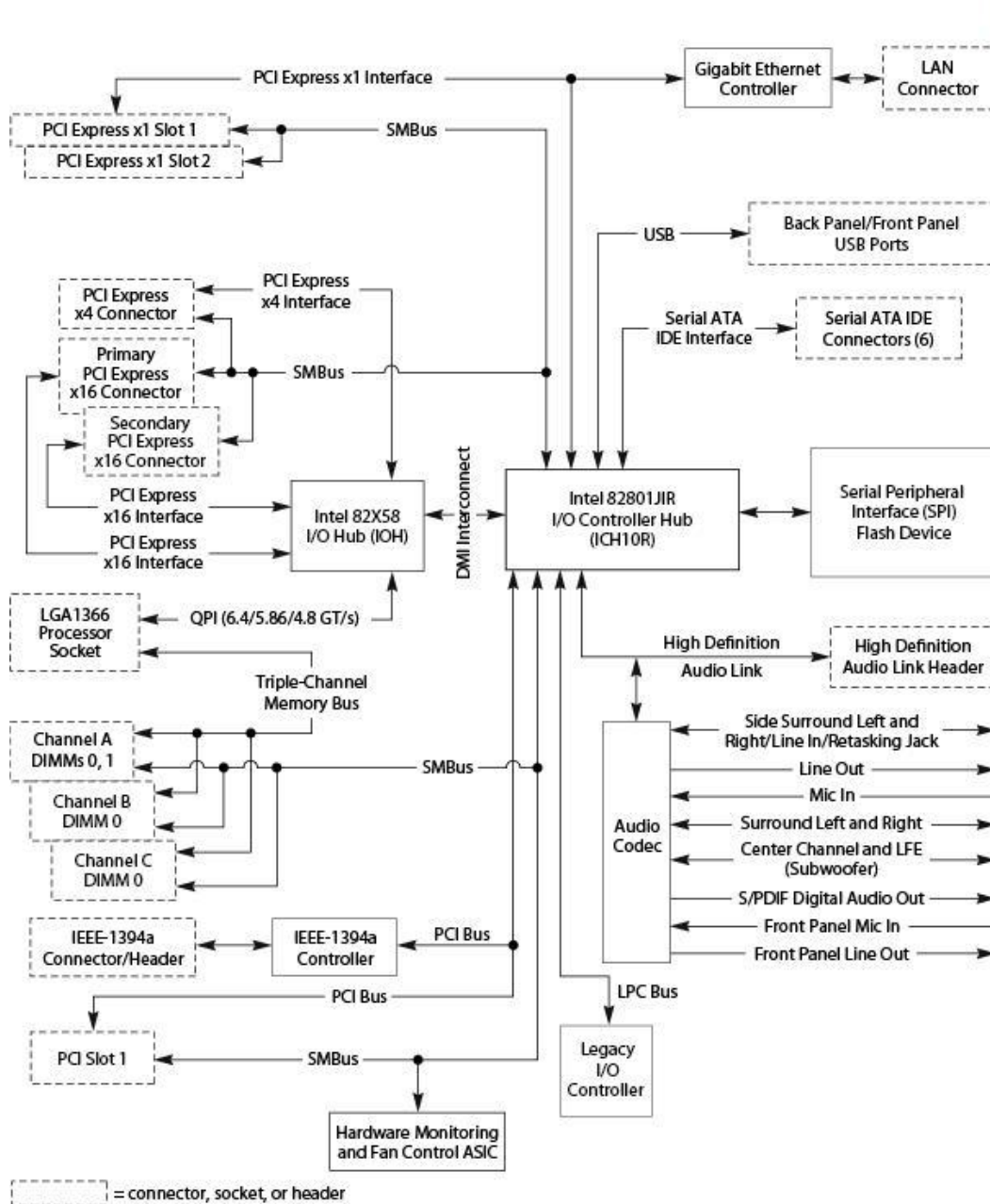
Table 2 lists the components identified in the figure above.

Table 2. Components Shown in Figure 1

Item	Description
A	Auxiliary fan
B	PCI Express* x1 connector
C	PCI Express* x16 bus add-in card connector (Secondary)
D	Front panel audio header
E	PCI Conventional bus add-in card connector
F	PCI Express* x1 bus add-in card connector
G	PCI Express* x16 bus add-in card connector (Primary)
H	PCI Express* x4 bus add-in card connector
I	Back panel connectors
J	Processor fan header
K	Rear fan header
L	LGA1366 processor socket
M	DIMM Channel A sockets [2]
N	DIMM Channel B socket
O	DIMM Channel C socket
P	Main power connector
Q	Intel® 82X58 IO Hub (IOH)
R	Processor core power connector (2 X 4)
S	Chassis intrusion header
T	Front chassis fan header
U	Serial ATA connectors [6]
V	Front panel USB headers [2]
W	Battery
X	Intel® 82801JIR I/O Controller Hub (ICH10R)
Y	IEEE 1394a front panel header
Z	BIOS Setup configuration jumper block
AA	Auxiliary front panel power LED header
BB	Front panel header
CC	High Definition Audio Link header
DD	S/DPDIF connector

1.1.3 Block Diagram

Figure 2 is a block diagram of the major functional areas of the board.



OM21160

Figure 2. Block Diagram

1.2 Legacy Considerations

This board differs from other Intel Board products with specific changes including (but not limited to) the following:

- No parallel port
- No floppy drive connector
- No serial port
- No PS/2 connectors

1.3 Online Support

Table 3. Online Support

To find information about	Website
Intel® Workstation Board WX58BP	http://www.intel.com/products/motherboard/WX58BP/index.htm
Server Board Support	http://www.intel.com/p/en_US/support/highlights/server/wx58bp
BIOS and driver updates	http://downloadcenter.intel.com/

1.4 Processor

The board is designed to support the following processor:

- Intel® Xeon® W3500 series Processor in an LGA1366 socket
- Intel® Xeon® W3600 series Processor in an LGA1366 socket

In the future, this board may support other processors. This board is designed to support processors with a maximum wattage of 130 W. The processor listed previously is only supported when falling within the wattage requirements of the Intel® Workstation Board WX58BP. For the most up-to-date list of supported processors, refer to the following Intel web site: <http://www.intel.com/products/motherboard/WX58BP/index.htm>



CAUTION

Use only the processors listed on the website mentioned previously. Use of unsupported processors can damage the board, processor, and power supply.



Integrator's Note

This board has specific requirements for providing power to the processor. For information on power supply requirements for this board, refer to Section 2.5.1.

1.5 System Memory

The board has four DIMM sockets and supports the following memory features:

- 1.5-V DDR3 SDRAM DIMMs
- Three independent memory channels with interleaved mode support

- Unbuffered, single-sided or double-sided DIMMs with the following restriction: This board does not support double-sided DIMMs with x16 organization.
- 16 GB maximum total system memory. For information on the total amount of addressable memory, refer to Section 2.1.1.
- Minimum total system memory: 1 GB
- Non-ECC DIMMs and ECC DIMMs
- Serial Presence Detect
- DDR3 1333 MHz, DDR3 1066 MHz, and DDR3 800 MHz SDRAM DIMMs

Note: To be fully compliant with all applicable DDR SDRAM memory specifications, you should populate the board with DIMMs that support the Serial Presence Detect (SPD) data structure. This allows the BIOS to read the SPD data and program the chipset to accurately configure memory settings for optimum performance. If non-SPD memory is installed, the BIOS will attempt to correctly configure the memory settings, but this may impact the performance and reliability or the DIMMs may not function under the determined frequency.

Table 4 lists the supported DIMM configurations.

Table 4. Supported Memory Configurations

DIMM Capacity	Configuration (Note 1)	SDRAM Density	SDRAM Organization Front-side/Back-side	Number of SDRAM Devices (Note 2)
1024 MB	SS	1 Gb	128 M x 8/empty	8 [9]
2048 MB	DS	1 Gb	128 M x 8/128 M x 8	16 [18]

Notes:

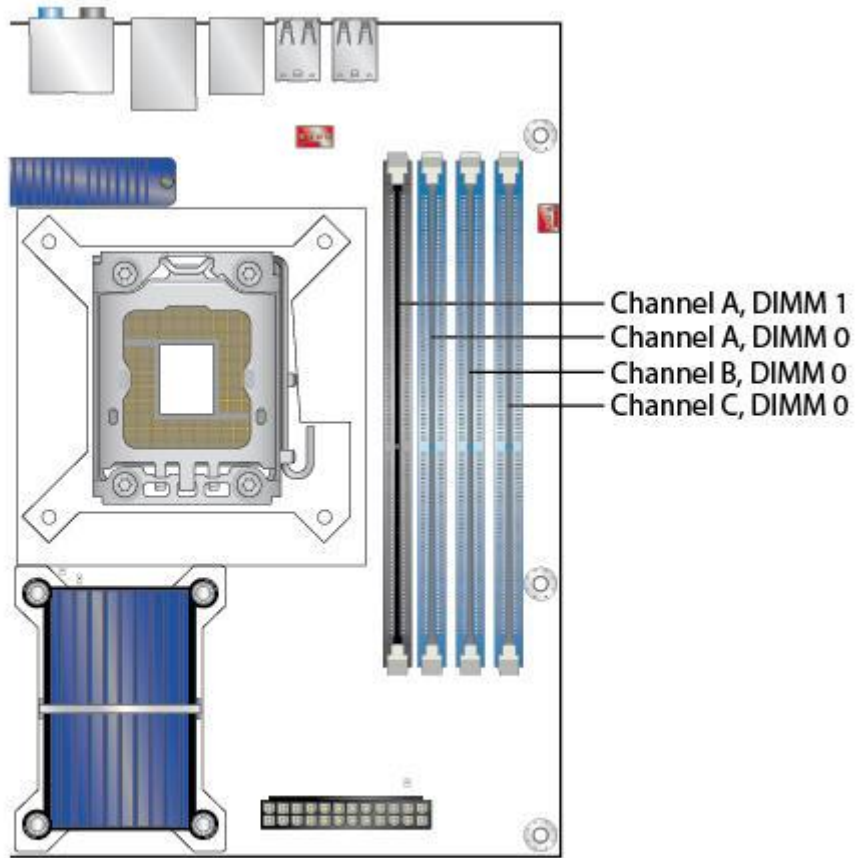
1. In the second column, “DS” refers to double-sided memory modules (containing two rows of SDRAM) and “SS” refers to single-sided memory modules (containing one row of SDRAM).
2. In the fifth column, the number in brackets specifies the number of SDRAM devices on an ECC DIMM.

1.5.1 Memory Configurations

The Intel® Xeon® W3500/W3600 series Processor supports the following types of memory organization:

- **Tri/Dual channel (Interleaved) mode.** This mode offers the highest throughput for “real world” applications. Interleaving reduces overall memory latency by accessing the DIMM memory sequentially. Data is spread amongst the memory modules in an alternating pattern.
- Three independent memory channels give two possible modes of interleaving:
 - **Tri-Channel Mode:** Enabled when identical matched memory modules are installed in each of the three memory channels (blue connectors).
 - **Dual-Channel Mode:** Enabled when two of the blue memory connectors are populated with matched DIMMs.
- **Single-Channel (Asymmetric) Mode:** Equivalent to single-channel bandwidth operation for real world applications. This mode is used when only a single DIMM is installed or the installed memory modules are not matched. Technology and device width can vary from one channel to the other.

Figure 3 illustrates the memory channel and DIMM configuration.



OM21181

Figure 3. Memory Channel and DIMM Configuration

1.6 Intel® X58 Chipset

The Intel® X58 chipset consists of the following devices:

- Intel® 82X58 IOH with Direct Media Interface (DMI) interconnect
- Intel® 82801IJR I/O Controller Hub (ICH10R)

The IOH component provides interfaces to the processor and the PCI Express* graphics connectors. The ICH10R is a centralized controller for the board's I/O paths.

Table 5. Intel® X58 Chipset Information

For information about	Refer to
Intel® X58 chipset	http://www.intel.com/products/desktop/chipsets/index.htm
Resources used by the chipset	Chapter 2

1.6.1 USB

The board supports up to 12 USB 2.0 ports; supports UHCI and EHCI; and uses UHCI- and EHCI-compatible drivers.

The ICH10R provides the USB controller for all ports. The port arrangement is as follows:

- Eight ports are implemented with dual, stacked back panel connectors adjacent to the audio connectors.
- Four ports are routed to two separate front panel USB headers.

Table 6. USB Information

For information about	Refer to
The location of the USB connectors on the back panel	Figure 9
The location of the front panel USB headers	Figure 10

1.6.2 Serial ATA Interfaces

The board provides six Serial ATA (SATA) connectors, which support one device per connector.

1.6.2.1 Serial ATA Support

The board's Serial ATA controller offers six independent Serial ATA ports with a theoretical maximum transfer rate of 3 Gb/s per port. You can install one device on each port for a maximum of six Serial ATA devices. Unlike a Parallel ATA IDE, which supports a master/slave configuration and two devices per channel, a point-to-point interface is used for host to device connections.

For compatibility, the underlying Serial ATA functionality is transparent to the operating system. The Serial ATA controller can operate in both legacy and native modes. In Legacy mode, standard IDE I/O and IRQ resources are assigned (IRQ 14 and 15). In Native mode, standard PCI Conventional bus resource steering is used. Native mode is the preferred mode for configurations using Microsoft Windows XP* and Microsoft Windows Vista* operating systems.

Note: Many Serial ATA drives use new low-voltage power connectors and require adapters or power supplies equipped with low-voltage power connectors.

For more information, see: <http://www.serialata.org/>.

For information about the location of the Serial ATA connectors, refer to Figure 10.

1.6.2.2 Serial ATA RAID

The board supports the following RAID (Redundant Array of Independent Drives) levels via the ICH10R:

- RAID 0 - Data striping
- RAID 1 - Data mirroring
- RAID 0+1 (or RAID 10) - Data striping and mirroring
- RAID 5 - Distributed parity

Note: In order to use supported RAID features, you must first enable RAID in the BIOS. Also, during Microsoft Windows XP* installation, you must press F6 to install the RAID drivers. For more information about installing drivers during installation, refer to your Microsoft Windows XP* documentation.

1.7 Real-Time Clock (RTC) Subsystem

A coin-cell battery (CR2032) powers the real-time clock (RTC) and CMOS memory. When the computer is not plugged into a wall socket, the battery's estimated life is three years. When the computer is plugged in, the standby current from the power supply extends the life of the battery. The clock is accurate to ± 13 minutes/year at 25° C with 3.3 VSB applied.

Note: If the battery and AC power fail, the Date and Time values will reset and the user is notified during POST.

When the voltage drops below a certain level, the BIOS Setup program settings stored in CMOS RAM (for example, the date and time) might not be accurate. Replace the battery with an equivalent one.

1.8 Legacy I/O Controller

The I/O controller provides the following features:

- Serial IRQ interface compatible with serialized IRQ support for PCI systems
- Intelligent power management, including a programmable wake-up event interface
- PCI power management support

The BIOS Setup program provides configuration options for the I/O controller.

1.9 Audio Subsystem

This board supports the Intel® High Definition Audio subsystem based on the Realtek* ALC889 audio codec. The audio subsystem supports the following features:

- Advanced jack sense for the back panel audio jacks that enables the audio codec to recognize the device connected to an audio port. The back panel audio jacks are capable of retasking according to the user's definition, or can be automatically switched depending on the recognized device type.
- Stereo input and output for all back panel jacks
- Line out and Mic in functions for front panel audio jacks
- A signal-to-noise (S/N) ratio of 90 dB

1.9.1 Audio Subsystem Software

Audio software and drivers are available from Intel's website. For information on obtaining audio software and drivers, refer to Section 1.3.

1.9.2 Audio Connectors and Headers

The board contains audio connectors and headers on both the back panel and the component side of the board. The component-side audio headers include the following:

- Front panel audio (a 2 x 5-pin header that provides a mic in and line out signals for front panel audio connectors)
- High Definition (HD) Audio Link header (a 2 x 8-pin header for S/PDIF) used for HDMI Video cards
- S/PDIF audio connector (1 x 3-pin connector) can be used for HDMI Video cards that do not work with the HD Audio header
- S/PDIF output between the back panel Optical connector and the internal S/PDIF header can be selected in BIOS setup

Table 7. Audio Connectors and Headers Information

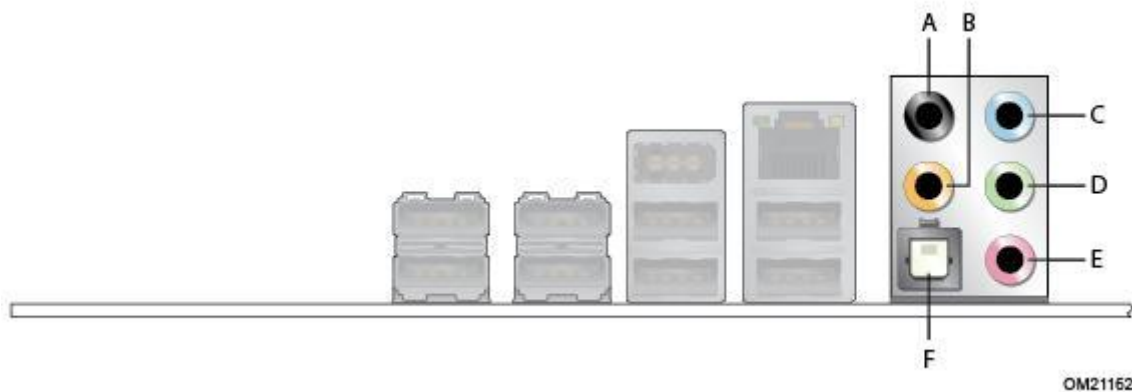
For information about..	Refer to
Locations of the front panel audio header, HD Audio Link header, and S/PDIF audio connector	Figure 10
Signal names of the front panel audio header	Table 17
Back panel audio connectors	Section 2.2.1

1.9.3 8-Channel (7.1) Audio Subsystem

The 8-channel (7.1) audio subsystem includes the following:

- Intel® 82801JIR (ICH10R)
- Realtek* ALC889 audio codec
- Microphone input that supports a single dynamic, condenser, or electric microphone

You can configure the back panel audio connectors through the audio device drivers. Figure 4 shows the available configurable audio ports.



Item	Description
A	Surround left/right channel audio out/Retasking Jack
B	Center channel and LFE (subwoofer) audio out
C	Line in (Side Channel Surround) audio out/Retasking Jack
D	Line out/Headphone (Stereo)
E	Mic in
F	S/PDIF Digital Audio Out (Optical)

Figure 4. Back Panel Audio Connector Options

For information about back panel audio connectors, refer to Section 2.2.1.

1.10 Lan Subsystem

The LAN subsystem consists of the following:

- Intel® 82567LM Gigabit Ethernet Controller (10/100/1000 Mbits/sec)
- Intel® 82801IJR (ICH10R)
- RJ-45 LAN connector with integrated status LEDs

Additional features of the LAN subsystem include:

- CSMA/CD protocol engine
- LAN connect interface between ICH10R and the LAN controller
- PCI Conventional bus power management
 - ACPI technology support
 - LAN wake capabilities
- LAN subsystem software

For information about LAN software and drivers, refer to: <http://downloadcenter.intel.com>.

1.10.1 Intel® 82567LM Gigabit Ethernet Controller

The Intel® 82567LM Gigabit Ethernet Controller supports the following features:

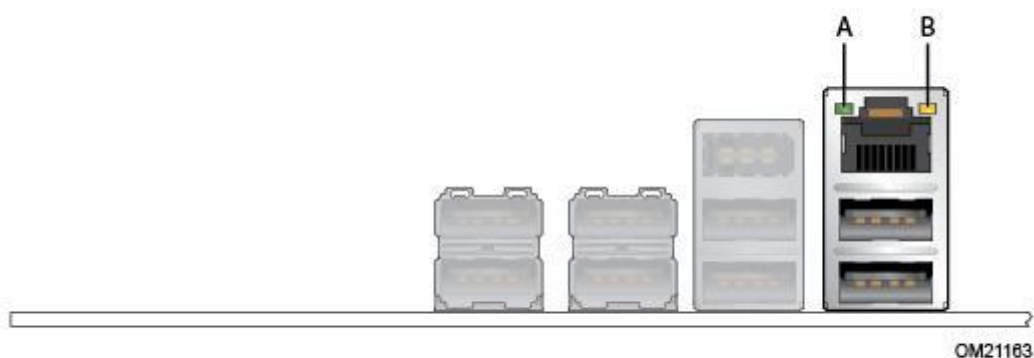
- PCI Express* link
- 10/100/1000 IEEE 802.3 compliant
- Compliant to IEEE 802.3x flow control support
- 802.1p and 802.1q
- TCP, IP, and UDP checksum offload (for IPv4 and IPv6)
- Transmit TCP segmentation
- Full device driver compatibility
- PCI Express* power management support

1.10.2 LAN Subsystem Software

LAN software and drivers are available from Intel's website. For information on obtaining LAN software and drivers, refer to: <http://downloadcenter.intel.com>.

1.10.3 RJ-45 LAN Connector with Integrated LEDs

Two LEDs are built into the RJ-45 LAN connector (Figure 5).



Item	Description
A	Link LED (Green)
B	Data Rate LED (Green/Yellow)

Figure 5. LAN Connector LED Locations

Table 8 describes the LED states when the board is powered up and the LAN subsystem is operating.

Table 8. LAN Connector LED States

LED	LED Color	LED State	Condition
Link	Green	Off	LAN link is not established.
		On	LAN link is established.
		Blinking	LAN activity is occurring.
Data Rate	Green/Yellow	Off	10 Mbits/sec data rate is selected.
		Green	100 Mbits/sec data rate is selected.
		Yellow	1000 Mbits/sec data rate is selected.

1.11 Hardware Management Subsystem

The hardware management features enable the board to be compatible with the Wired for Management (WfM) specification. The board has several hardware management features including the following:

- Fan monitoring and control
- Thermal and voltage monitoring
- Chassis intrusion detection

1.11.1 Hardware Monitoring and Fan Control

The features of the hardware monitoring and fan control include:

- Fan speed control controllers and sensors provided by the Hardware Monitoring and Fan Control ASIC
- Thermal sensors in the processor, 82X58 IOH, and 82801IJR ICH10R
- Power supply monitoring of five voltages (+5 V, +12 V, +3.3 VSB, +1.1 V, and +VCCP) to detect levels above or below acceptable values
- Thermally-monitored, closed-loop fan control for all three fans that can adjust the fan speed or switch the fans on/off as needed

1.11.2 Fan Monitoring

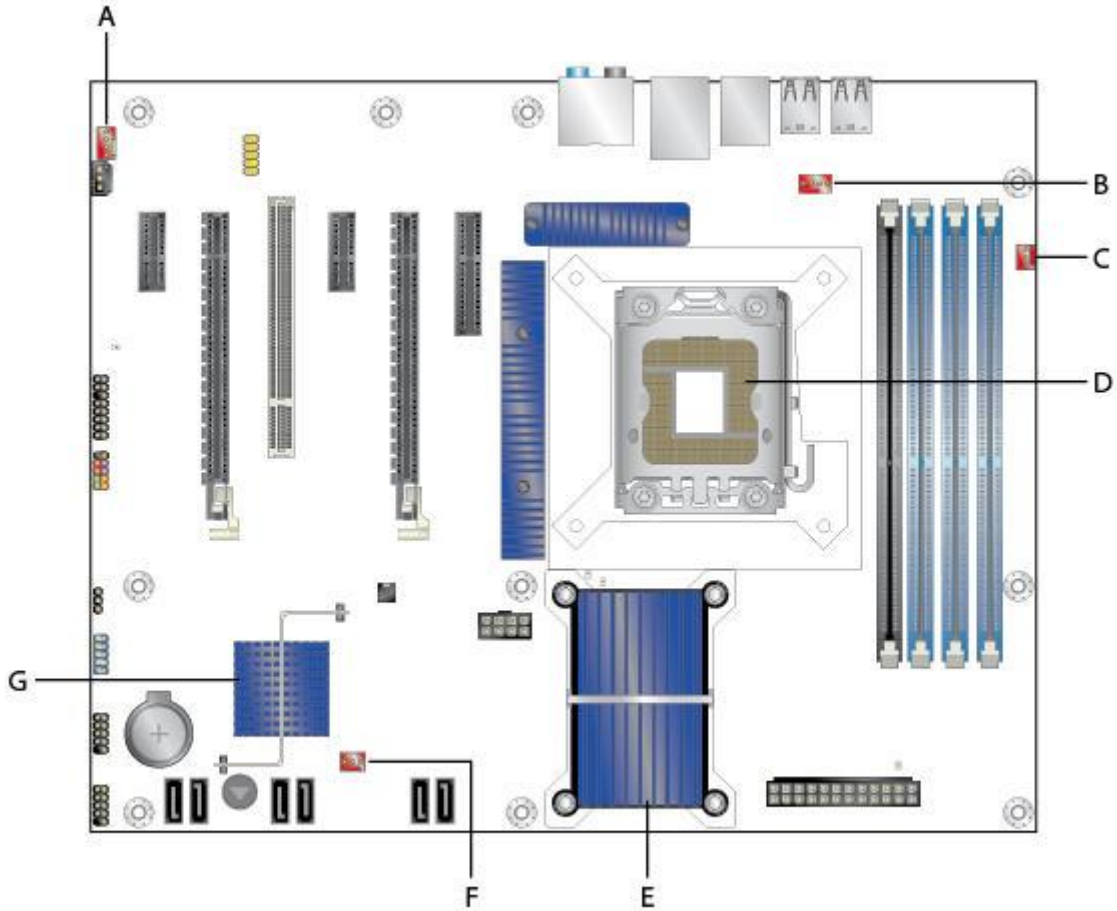
You can use software to implement fan monitoring. For more information on the functions of the fan headers, refer to Section 1.12.2.2.

1.11.3 Chassis Intrusion and Detection

The board supports a chassis security feature that detects if the chassis cover is removed. The security feature uses a mechanical switch on the chassis that attaches to the chassis intrusion header. When the chassis cover is removed, the mechanical switch is in the closed position. For more information about the location of the chassis intrusion header, refer to Figure 10.

1.11.4 Thermal Monitoring

Figure 6 shows the locations of the thermal sensors and fan headers.



OM21164

Item	Description
A	Auxiliary rear chassis fan
B	Processor fan
C	Rear fan
D	Thermal diode located on processor die
E	Thermal diode located on the IOH die
F	Front chassis fan
G	Thermal diode located on the ICH10R die

Figure 6. Thermal Sensors and Fan Headers

1.12 Power Management

Power management is implemented at several levels, including:

- Software support through Advanced Configuration and Power Interface (ACPI)
- Hardware support:
 - Power connector
 - Fan headers
 - LAN wake capabilities
 - Instantly Available PC technology
 - Wake from USB
 - Power Management Event signal (PME#) wake-up support
 - PCI Express* WAKE# signal support

1.12.1 ACPI

ACPI gives the operating system direct control over the power management and Plug and Play functions of a computer. The use of ACPI with this board requires an operating system that provides full ACPI support. ACPI features include:

- Plug and Play (including bus and device enumeration)
- Power management control of individual devices, add-in boards (some add-in boards may require an ACPI-aware driver), video displays, and hard disk drives
- Methods for achieving less than 15-W system operation in the power-on/standby sleeping state
- A Soft-off feature that enables the operating system to power-off the computer
- Support for multiple wake-up events (Table 11)
- Support for a front panel power and sleep mode switch

Table 9 lists the system states based on how long the power switch is pressed, depending on how ACPI is configured with an ACPI-aware operating system.

Table 9. Effects of Pressing the Power Switch

If the system is in this state...	...and the power switch is pressed for	...the system enters this state
Off (ACPI G2/G5 – Soft off)	Less than four seconds	Power-on (ACPI G0 – working state)
On (ACPI G0 – working state)	Less than four seconds	Soft-off/Standby (ACPI G1 – sleeping state)
On (ACPI G0 – working state)	More than six seconds	Fail safe power-off (ACPI G2/G5 – Soft off)
Sleep (ACPI G1 – sleeping state)	Less than four seconds	Wake-up (ACPI G0 – working state)
Sleep (ACPI G1 – sleeping state)	More than six seconds	Power-off (ACPI G2/G5 – Soft off)

1.12.1.1 System States and Power States

Under ACPI, the operating system directs all system and device power state transitions. The operating system puts devices in and out of low-power states based on user preferences and knowledge of how devices are being used by applications. You can turn-off devices that are not being used. The operating system uses information from applications and user settings to put the system as a whole into a low-power state.

Table 10 lists the power states supported by the board along with the associated system power targets. For a complete description of the various system and power states, refer to the ACPI specification.

Table 10. Power States and Targeted System Power

Global States	Sleeping States	Processor States	Device States	Targeted System Power (Note 1)
G0 – working state	S0 – working	C0 – working	D0 – working state.	Full power > 30 W
G1 – sleeping state	S1 – Processor stopped	C1 – stop grant	D1, D2, D3 – device specification specific.	5 W < power < 52.5 W
G1 – sleeping state	S3 – Suspend to RAM. Context saved to RAM.	No power	D3 – no power except for wake-up logic.	Power < 5 W (Note 2)
G1 – sleeping state	S4 – Suspend to disk. Context saved to disk.	No power	D3 – no power except for wake-up logic.	Power < 5 W (Note 2)
G2/S5	S5 – Soft off. Context not saved. Cold boot is required.	No power	D3 – no power except for wake-up logic.	Power < 5 W (Note 2)
G3 – mechanical off AC power is disconnected from the computer.	No power to the system.	No power	D3 – no power for wake-up logic, except when provided by battery or external source.	No power to the system. Service can be performed safely.

Notes:

1. Total system power is dependent on the system configuration including add-in boards and peripherals powered by the system chassis' power supply.
2. Dependent on the standby power consumption of wake-up devices used in the system.

1.12.1.2 Wake-up Devices and Events

Table 11 lists the devices or specific events that can wake the computer from specific states.

Table 11. Wake-up Devices and Events

These devices/events can wake up the computer...	...from this state
LAN	S1, S3, S4, S5 ^(Note 1)
PME# signal	S1, S3, S4, S5 ^(Note 1)
Power switch	S1, S3, S4, S5
RTC alarm	S1, S3, S4, S5
USB	S1, S3
WAKE#	S1, S3, S4, S5

Note 1: For LAN and PME# signal, S5 is disabled by default in the BIOS Setup program. Setting this option to Power On enables a wake-up event from LAN in the S5 state.

Note 2: Wake from S4 and S5 is optional by the specification.

Note: The use of these wake-up events from an ACPI state requires an operating system that provides full ACPI support. In addition, software, drivers, and peripherals must fully support ACPI wake events.

1.12.2 Hardware Support



CAUTION

If LAN wake capabilities and Instantly Available PC technology features are used, ensure the power supply provides adequate +5 V standby current. Failure to do so can damage the power supply. The total amount of standby current required depends on the wake devices supported and manufacturing options.

The board provides several power management hardware features including:

- Power connector
- Fan headers
- LAN wake capabilities
- Instantly Available PC technology
- Wake from USB
- PME# signal wake-up support
- WAKE# signal wake-up support

LAN wake capabilities and Instantly Available PC technology require power from the +5 V standby line.

Note: The use of Wake from USB from an ACPI state requires an operating system that provides full ACPI support.

1.12.2.1 Power Connector

ATX12V-compliant power supplies can turn-off the system power through system control. When an ACPI-enabled system receives the correct command, the power supply removes all non-standby voltages.

When resuming from an AC power failure, the computer returns to the power state it was in before power was interrupted (on or off). You can set the computer's response using the Last Power State feature in the BIOS Setup program's Boot menu.

Table 12. Power Connector Information

For information about	Refer to
Location of the main power connector	Figure 10
Signal names of the main power connector	Table 23

1.12.2.2 Fan Headers

The function/operation of the fan headers is as follows:

- The fans are on when the board is in the S0 or S1 state.
- The fans are off when the board is off or in the S3, S4, or S5 state.
- Each fan header is wired to a fan tachometer input of the hardware monitoring and fan control ASIC except the fan header located at J7TH (item R in Figure 1)
- All fan headers support closed-loop fan control that can adjust the fan speed or switch the fan on or off as needed
- All fan headers have a +12 V DC connection
- 4-pin fan headers are controlled by Pulse Width Modulation
- 3-pin fan headers (front and rear) are modulated by voltage control

Table 13. Fan Headers Information

For information about...	Refer to
Location of the fan headers	Figure 10
Location of the fan headers and sensors for thermal monitoring	Figure 6
Signal names of the fan headers	Section 2.2

1.12.2.3 LAN Wake Capabilities



CAUTION

For LAN wake capabilities, the +5 V standby line for the power supply must be capable of providing adequate +5 V standby current. Failure to provide adequate standby current when implementing LAN wake capabilities can damage the power supply.

LAN wake capabilities enable remote wake-up of the computer through a network. The LAN subsystem PCI bus network adapter monitors network traffic at the Media Independent Interface. Upon detecting a Magic Packet* frame, the LAN subsystem asserts a wake-up signal that powers up the computer. Depending on the LAN implementation, the board supports LAN wake capabilities with ACPI in the following ways:

- PCI Express* WAKE# signal
- PCI bus PME# signal for PCI 2.3 compliant LAN designs
 - By Ping
 - Magic Packet
- Onboard LAN subsystem

1.12.2.4 Instantly Available PC Technology



CAUTION

For Instantly Available PC technology, the +5 V standby line for the power supply must be capable of providing adequate +5 V standby current. Failure to provide adequate standby current when implementing Instantly Available PC technology can damage the power supply.

Instantly Available PC technology enables the board to enter the ACPI S3 (Suspend-to-RAM) sleep-state. While in the S3 sleep-state, the computer appears to be off (the power supply is off and the front panel LED is amber if dual-colored, or off if single-colored.) When signaled by a wake-up device or event, the system quickly returns to its last known wake state. Table 11 lists the devices and events that can wake the computer from the S3 state.

The board supports the *PCI Bus Power Management Interface Specification*. Add-in boards that also support this specification can participate in power management and can be used to wake the computer.

The use of Instantly Available PC technology requires operating system support and PCI 2.2 compliant add-in cards, PCI Express* add-in cards, and drivers.

1.12.2.5 Wake from USB

USB bus activity wakes the computer from ACPI S1 or S3 states.

Note: Wake from USB requires the use of a USB peripheral that supports Wake from USB.

1.12.2.6 PME# Signal Wake-up Support

When the PME# signal on the PCI Conventional bus is asserted, the computer wakes from an ACPI S1, S3, S4, or S5 state (with Wake on PME enabled in the BIOS).

1.12.2.7 WAKE# Signal Wake-up Support

When the WAKE# signal on the PCI Express bus is asserted, the computer wakes from an ACPI S1, S3, S4, or S5 state.

1.12.2.8 +5 V Standby Power Indicator LED and Additional LEDs

The +5 V standby power indicator LED shows power is still present even when the computer appears to be off. Figure 7 shows the location of the standby power indicator LED on the board.

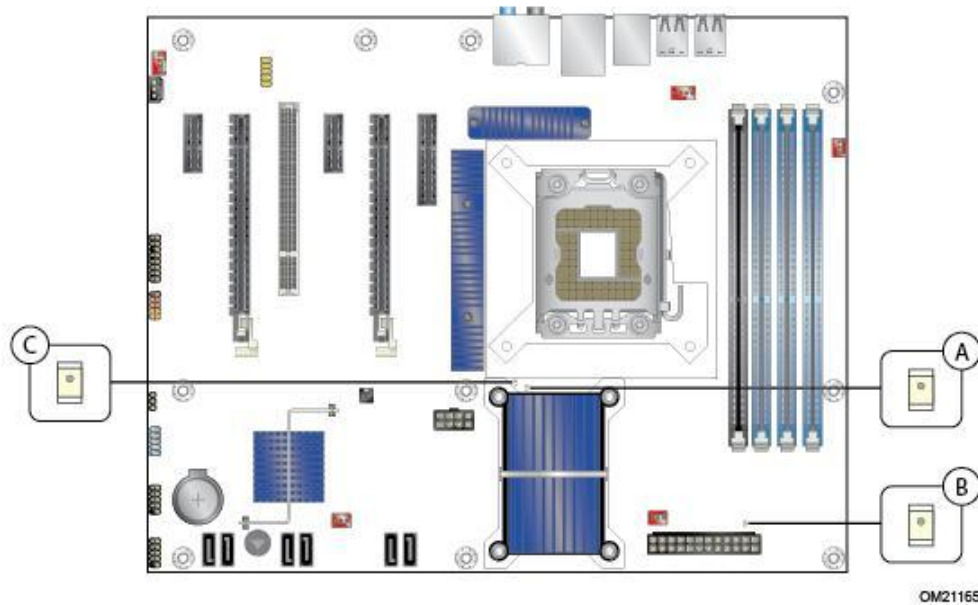
 **CAUTION**

If AC power is switched off and the standby power indicators are still lit, disconnect the power cord before installing or removing any devices connected to the board. Failure to do so could damage the board and any attached devices.

In addition to the standby power indicator, the board contains two LEDs that indicate the following:

- The Processor LED indicates an elevated temperature on the processor that could affect performance.
- The Voltage Regulator LED indicates an elevated temperature in the processor voltage regulator circuit that could affect performance.

Figure 7 shows the location of these additional LEDs.



Item	Description
A	Voltage Regulator LED (Red)
B	Standby power indicator LED (Green)
C	Processor LED (Red)

Figure 7. Locations of Indicator LEDs

1.12.3 ENERGY STAR*

In 2007, the US Department of Energy and the US Environmental Protection Agency revised the ENERGY STAR* requirements. Intel has worked directly with these two governmental agencies to define the new requirements. Currently this Intel Workstation Board meets the new Category C requirements when using the appropriate peripherals.

For information about ENERGY STAR requirements and recommended configurations, refer to: <http://www.intel.com/go/energystar>.

2. Technical Reference

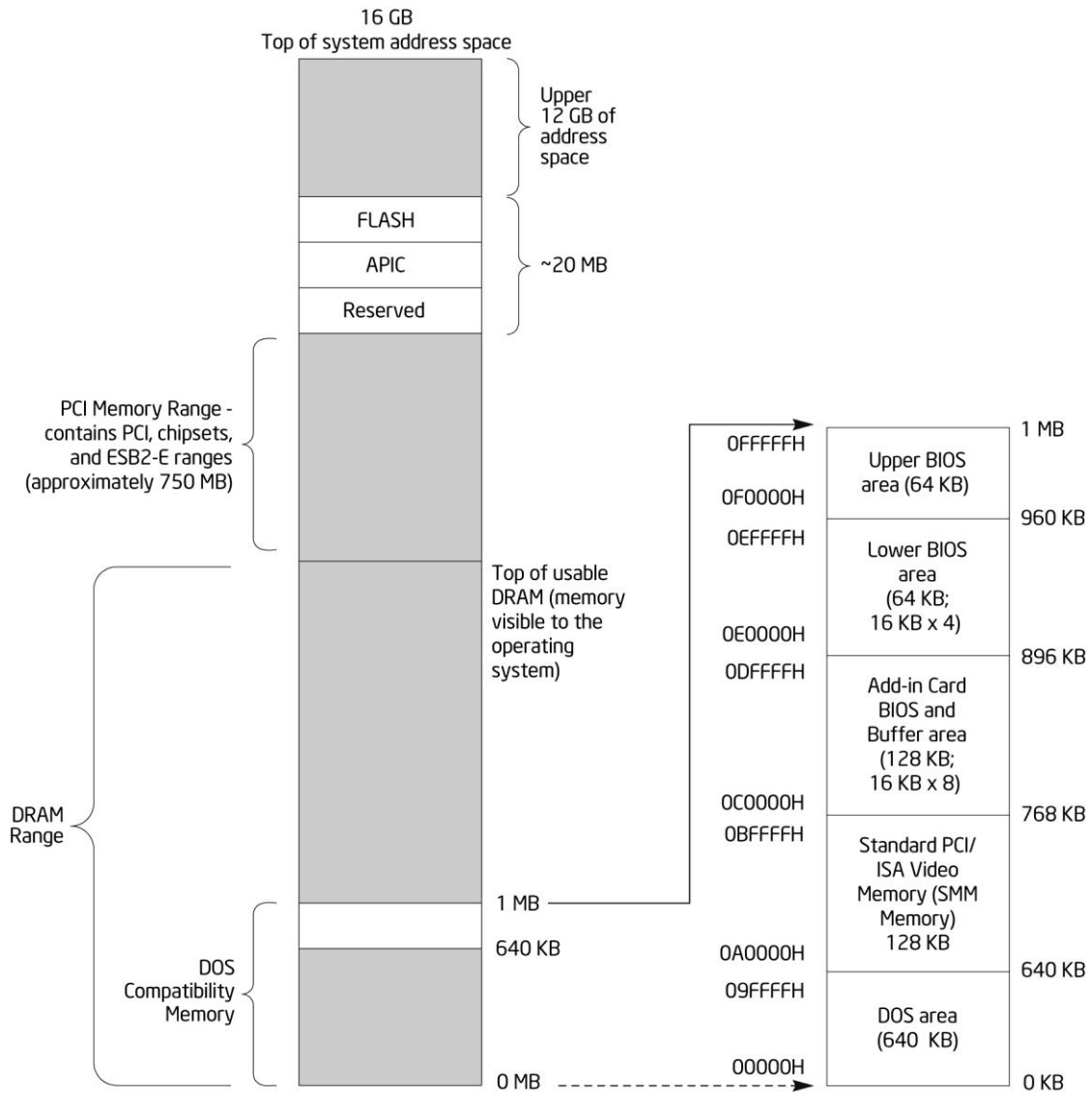
2.1 Memory Resources

2.1.1 Addressable Memory

This board uses 16 GB of addressable system memory. Typically, the address space allocated for PCI Conventional bus add-in cards, PCI Express* configuration space, BIOS (SPI Flash device), and chipset overhead resides above the top of DRAM (total system memory). On a system with 16 GB of system memory installed, it is not possible to use all of the installed memory due to system address space being allocated for other system-critical functions. These functions include the following:

1. BIOS/SPI Flash device (16 Mbit)
2. Local APIC (19 MB)
3. Direct Media Interface (40 MB)
4. Front side bus interrupts (17 MB)
5. PCI Express* configuration space (256 MB)
6. IOH base address registers PCI Express* ports (up to 256 MB)
7. Memory-mapped I/O that is dynamically allocated for PCI Conventional and PCI Express* add-in cards (256 MB)

The board provides the capability to reclaim the physical memory overlapped by the memory mapped I/O logical address space. The board remaps physical memory from the top of usable DRAM boundary to the 4 GB boundary to an equivalent-sized logical address range located just above the 4 GB boundary. Figure 8 shows a schematic of the system memory map. You can use all installed system memory when there is no overlap of system addresses.



OM20683

Figure 8. Detailed System Memory Address Map

2.1.2 Memory Map

Table 14 lists the system memory map.

Table 14. System Memory Map

Address Range (decimal)	Address Range (hex)	Size	Description
1024 K - 16777216 K	100000 - 3FFFFFFF	16382 MB	Extended memory
960 K - 1024 K	F0000 - FFFFF	64 KB	Runtime BIOS
896 K - 960 K	E0000 - EFFFF	64 KB	Reserved
800 K - 896 K	C8000 - DFFFF	96 KB	Potential available high DOS memory (open to the PCI Conventional bus). Dependent on video adapter used.
640 K - 800 K	A0000 - C7FFF	160 KB	Video memory and BIOS
639 K - 640 K	9FC00 - 9FFFF	1 KB	Extended BIOS data (movable by memory manager software)
512 K - 639 K	80000 - 9FBFF	127 KB	Extended conventional memory
0 K - 512 K	00000 - 7FFFF	512 KB	Conventional memory

2.2 Connectors and Headers



CAUTION

Only the following connectors and headers have overcurrent protection: back panel and front panel USB, and IEEE 1394a.

The other internal connectors and headers are not overcurrent protected and should connect only to devices inside the computer's chassis, such as fans and internal peripherals. Do not use these connectors or headers to power devices external to the computer's chassis. A fault in the load presented by the external devices could cause damage to the computer, power cable, and external devices themselves.

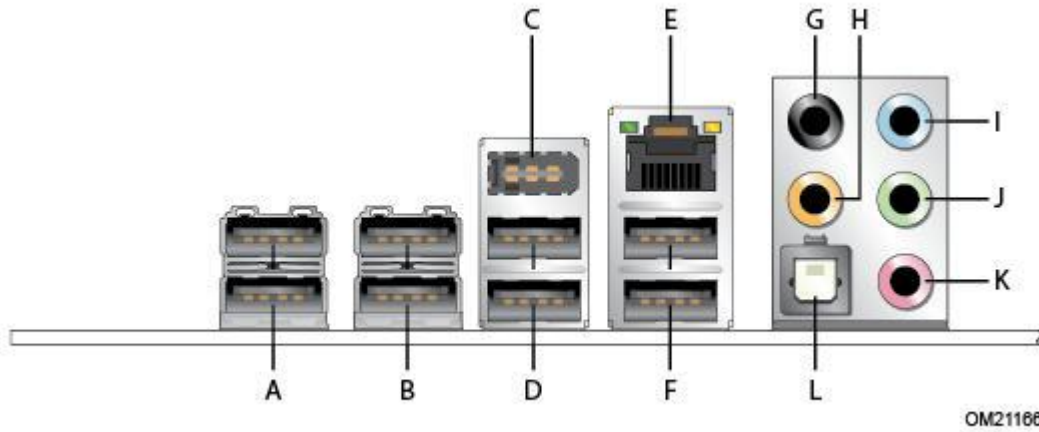
Furthermore, improper connection of USB or 1394 header single wire connectors may eventually overload the overcurrent protection and cause damage to the board.

This section describes the board's connectors. The connectors can be divided into these groups:

- Back panel I/O connectors
- Component-side I/O connectors and headers (Section 2.2.2.2)

2.2.1 Back Panel Connectors

Figure 9 shows the location of the back panel connectors for the board.



Item	Description
A	USB ports
B	USB ports
C	IEEE-1394a connector
D	USB ports
E	LAN
F	USB ports
G	Surround left/right channel audio out
H	Center channel and LFE (subwoofer) audio out
I	Audio line in
J	Line out/Headphone (Stereo)
K	Mic in
L	Digital audio out optical

Figure 9. Back Panel Connectors

Note: The back panel audio line out connector is designed to power headphones or amplified speakers only. If passive (non-amplified) speakers are connected to this output, poor audio quality results.

2.2.2 Component-side Connectors and Headers

Figure 10 shows the locations of the component-side connectors and headers.

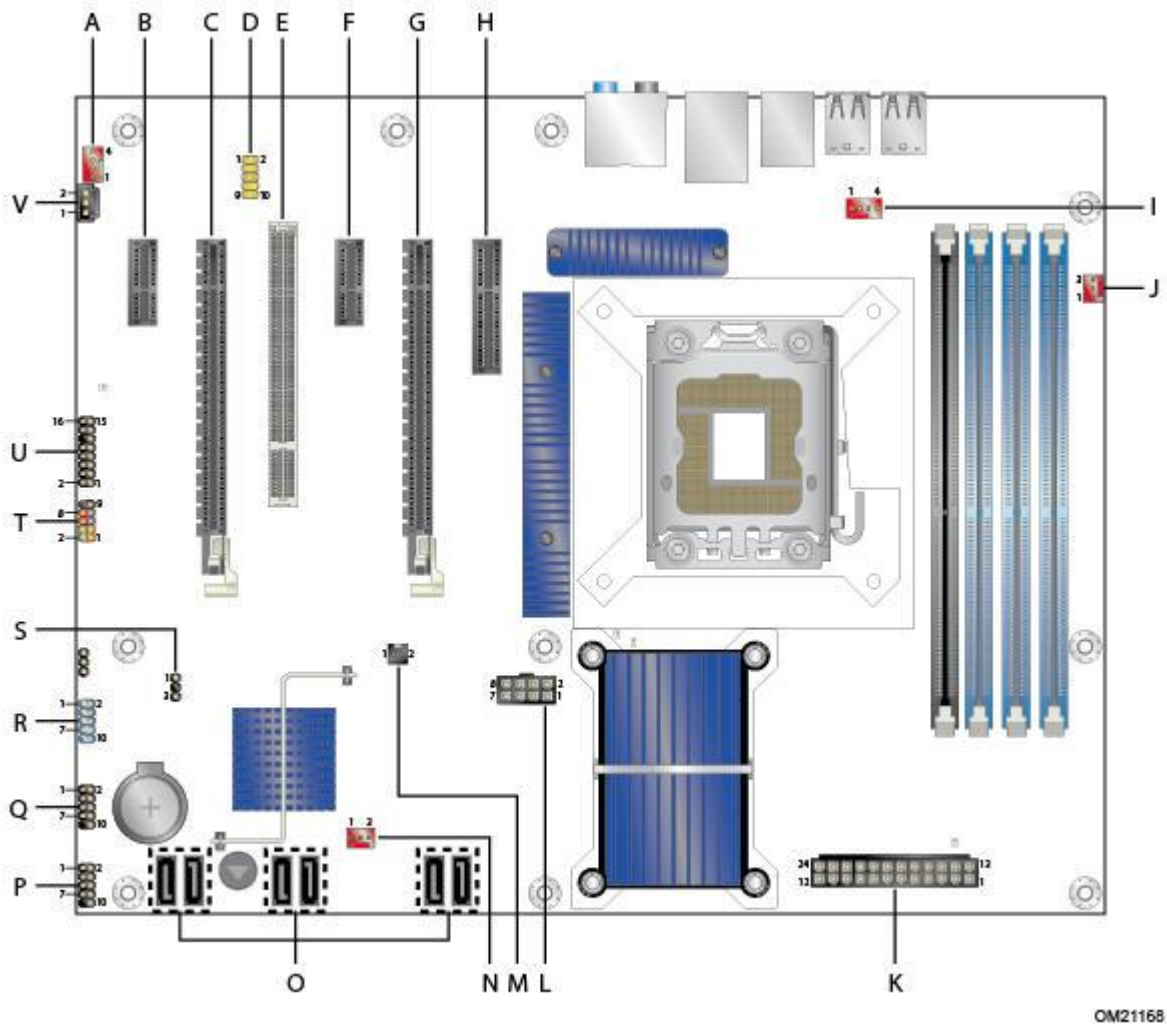


Figure 10. Component-side Connectors and Headers

Table 15 lists the component-side connectors and headers identified in Figure 10.

Table 15. Component-side Connectors and Headers Shown in Figure 10

Item	Description
A	Auxiliary fan header
B	PCI Express* x1 connector
C	PCI Express* x16 bus add-in card connector
D	Front panel audio header
E	PCI Conventional bus add-in card connector
F	PCI Express* x1 bus add-in card connector
G	PCI Express* x16 bus add-in card connector
H	PCI Express* x4 bus add-in card connector
I	Processor fan header
J	Rear fan header
K	Main power connector
L	Processor core power connector (2 X 4)
M	Chassis intrusion header
N	Front chassis fan header
O	Serial ATA connectors [6]
P	Front panel USB header
Q	Front panel USB header
R	IEEE 1394a front panel header
S	Auxiliary front panel power LED header
T	Front panel header
U	High Definition Audio Link header
V	S/PDIF connector

2.2.2.1 Signal Tables for the Connectors and Headers

Table 16. HD Audio Link Header

Pin	Signal Name	Pin	Signal Name
1	BCLK	2	Ground
3	RST#	4	3.3 VCC
5	SYNC	6	Ground
7	SDO	8	3.3 VCC
9	SDI0	10	+12 V
11	SDI1	12	Key (no pin)
13	Aud RSVD	14	3.3 V STBY
15	Aud RSVD	16	Ground

Table 17. Front Panel Audio Header

Pin	Signal Name	Pin	Signal Name
1	[Port 2] Left channel	2	Ground
3	[Port 2] Right channel	4	PRESENCE# (Dongle present)
5	[Port 1] Right channel	6	[Port 1] SENSE_RETURN
7	SENSE_SEND (Jack detection)	8	Key (no pin)
9	[Port 2] Left channel	10	[Port 2] SENSE_RETURN

Table 18. Serial ATA Connectors

Pin	Signal Name
1	Ground
2	TXP
3	TXN
4	Ground
5	RXN
6	RXP
7	Ground

Table 19. Chassis Intrusion Header

Pin	Signal Name
1	Intruder
2	Ground

Table 20. Front and Rear Chassis (3-Pin) Fan Headers

Pin	Signal Name
1	Control (Note)
2	+12 V
3	Tach

Note: These fan headers use voltage variance control for fan speed.

Table 21. Processor and Rear Chassis 2 (4-Pin) Fan Headers

Pin	Signal Name
1	Ground (Note)
2	+12 V
3	FAN_TACH
4	FAN_CONTROL

Note: These fan headers use Pulse Width Modulation control for fan speed.

2.2.2.2 Add-in Card Connectors

This board has the following add-in card connectors:

- PCI Express* 2.0 x16: Two PCI Express* 2.0 x16 connectors supporting simultaneous transfer speeds up to 8 GB/sec of peak bandwidth per direction and up to 16 GB/sec concurrent bandwidth.
- PCI Express* 2.0 x4: One PCI Express* 2.0 x4 connector. The x4 interface supports simultaneous transfer speeds up to 250 MB/sec of peak bandwidth per direction and up to 5 GB/sec concurrent bandwidth.
- PCI Express* 1.1 x1: Two PCI Express* 1.1 x1 connectors. The x1 interface supports simultaneous transfer speeds up to 250 MB/sec of peak bandwidth per direction and up to 2 GB/sec concurrent bandwidth.
- PCI Conventional (rev 2.3 compliant) bus: One PCI Conventional bus add-in card connector. The SMBus is routed to the PCI Conventional bus connector. PCI Conventional bus add-in cards with SMBus support can access sensor data and other information residing on the board.

Note the following considerations for the PCI Conventional bus connector:

- The PCI Conventional bus connector is bus master capable.
- SMBus signals are routed to the PCI Conventional bus connector. This enables PCI Conventional bus add-in boards with SMBus support to access sensor data on the board. The specific SMBus signals are as follows:
 - The SMBus clock line is connected to pin A40.
 - The SMBus data line is connected to pin A41.

2.2.2.3 Power Supply Connectors

The board has the following power supply connectors:

- **Main power** – A 2 x 12 connector. The board supports the use of ATX12V power supplies with either 2 x 10 or 2 x 12 main power cables. When using a power supply with a 2 x 10 main power cable, attach that cable on the right-most pins of the main power connector, leaving pins 11, 12, 23, and 24 unconnected.
- **Processor core power** – A 2 x 4 connector. This connector provides power directly to the processor voltage regulator and must always be used. Failure to do so prevents the board from booting.



CAUTION

If high power (75 W or greater) add-in cards are installed in either or both the Secondary PCI Express x16 and the PCI Express* x4 bus add-in card connectors, you must use the Auxiliary PCI Express* graphics power connector. Failure to do so may cause damage to the board and the add-in cards.*

Table 22. Processor Core Power Connector

Pin	Signal Name	Pin	Signal Name
1	Ground	2	+12 V
3	Ground	4	+12 V
5	Ground	6	+12 V
7	Ground	8	+12 V

Table 23. Main Power Connector

Pin	Signal Name	Pin	Signal Name
1	+3.3 V	13	+3.3 V
2	+3.3 V	14	-12 V
3	Ground	15	Ground
4	+5 V	16	PS-ON# (power supply remote on/off)
5	Ground	17	Ground
6	+5 V	18	Ground
7	Ground	19	Ground
8	PWRGD (Power Good)	20	No connect
9	+5 V (Standby)	21	+5 V
10	+12 V	22	+5 V
11	+12 V (Note)	23	+5 V (Note)
12	2 x 12 connector detect (Note)	24	Ground (Note)

Note: When using a 2 x 10 power supply cable, this pin will be unconnected.

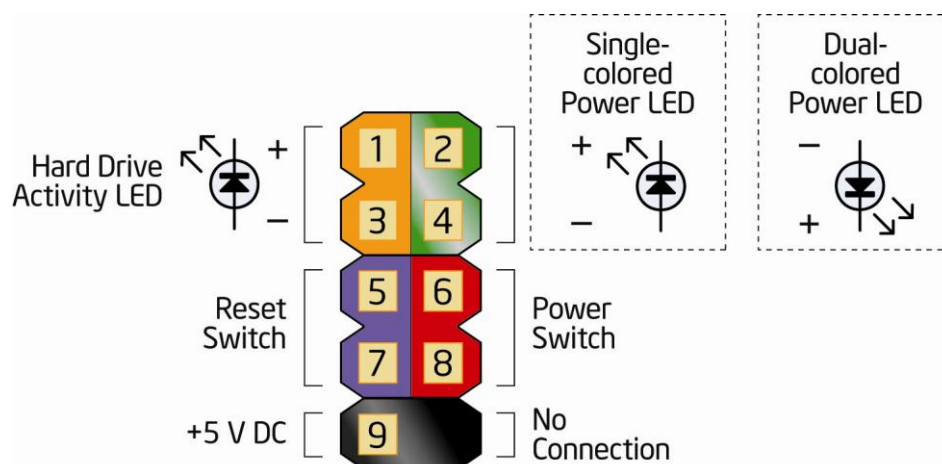
For information about power supply considerations, refer to Section 2.5.1.

2.2.2.4 Front Panel Header

This section describes the functions of the front panel header. Table 24 lists the signal names of the front panel header. Figure 11 is a connection diagram for the front panel header.

Table 24. Front Panel Header

Pin	Signal	In/ Out	Description	Pin	Signal	In/ Out	Description
Hard Drive Activity LED				Power LED			
1	HD_PWR	Out	Hard disk LED pull-up to +5 V	2	HDR_BLNK_GR N	Out	Front panel green LED
3	HDA#	Out	Hard disk active LED	4	HDR_BLNK_YE L	Out	Front panel yellow LED
Reset Switch				On/Off Switch			
5	Ground		Ground	6	FPBUT_IN	In	Power switch
7	FP_RESET#	In	Reset switch	8	Ground		Ground
Power				Not Connected			
9	+5 V		Power	10	N/C		Not connected



OM20472

Figure 11. Connection Diagram for Front Panel Header

2.2.2.4.1 Hard Drive Activity LED Header

You can connect Pins 1 and 3 to an LED to provide a visual indicator that data is being read from or written to a hard drive. Proper LED function requires one of the following:

- A Serial ATA hard drive or optical drive connected to an onboard Serial ATA connector
- A Parallel ATA IDE hard drive or optical drive connected to an onboard Parallel ATA IDE connector

2.2.2.4.2 Reset Switch Header

You can connect Pins 5 and 7 to a momentary single pole, single throw (SPST) type switch that is normally open. When the switch is closed, the board resets and runs the POST.

2.2.2.4.3 *Power/Sleep LED Header*

You can connect Pins 2 and 4 to a one- or two-color LED. Table 25 shows the possible states for a one-color LED. Table 26 shows the possible states for a two-color LED.

Table 25. States for a One-Color Power LED

LED State	Description
Off	Power off/sleeping
Steady Green	Running

Table 26. States for a Two-Color Power LED

LED State	Description
Off	Power off
Steady Green	Running
Steady Yellow	Sleeping

Note: The colors listed in Table 25 and Table 26 are suggested colors only. Actual LED colors are chassis-specific.

2.2.2.4.4 *Power Switch Header*

You can connect Pins 6 and 8 to a front panel momentary-contact power switch. The switch must pull the SW_ON# pin to ground for at least 50 ms to signal the power supply to switch on or off. (The time requirement is due to internal debounce circuitry on the board.) You must wait at least two seconds before the power supply recognizes another on/off signal.

2.2.2.5 Front Panel USB Headers

Figure 12 is a connection diagram for the front panel USB headers.

✖ INTEGRATOR’S NOTES

- *The +5 V DC power on the USB headers is fused.*
- *Use only a front panel USB connector that conforms to the USB 2.0 specification for high-speed USB devices.*

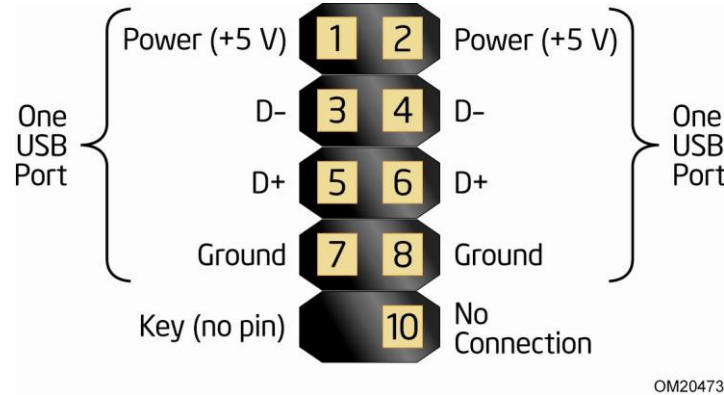


Figure 12. Connection Diagram for Front Panel USB Headers

2.2.2.6 Front Panel IEEE 1394a Header

Figure 13 is a connection diagram for the IEEE 1394a header.

✖ INTEGRATOR’S NOTES

- *The +12 V DC power on the IEEE 1394a header is fused.*
- *The IEEE 1394a header provides one IEEE 1394a port.*

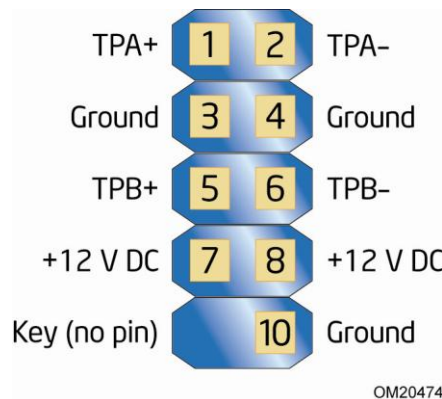


Figure 13. Connection Diagram for IEEE 1394a Header

2.3 BIOS Setup Configuration Jumper Block



CAUTION

Do not move the jumper with the power on. Before changing a jumper setting, always turn off the power and unplug the power cord from the computer. Otherwise, the board could be damaged.

Figure 14 shows the location of the jumper block. The 3-pin jumper block determines the BIOS Setup program’s mode. Table 27 describes the jumper settings for the three modes: normal, configure, and recovery. When the jumper is set to configure mode and the computer is powered-up, the BIOS compares the processor version and the microcode version in the BIOS and reports if the two match.

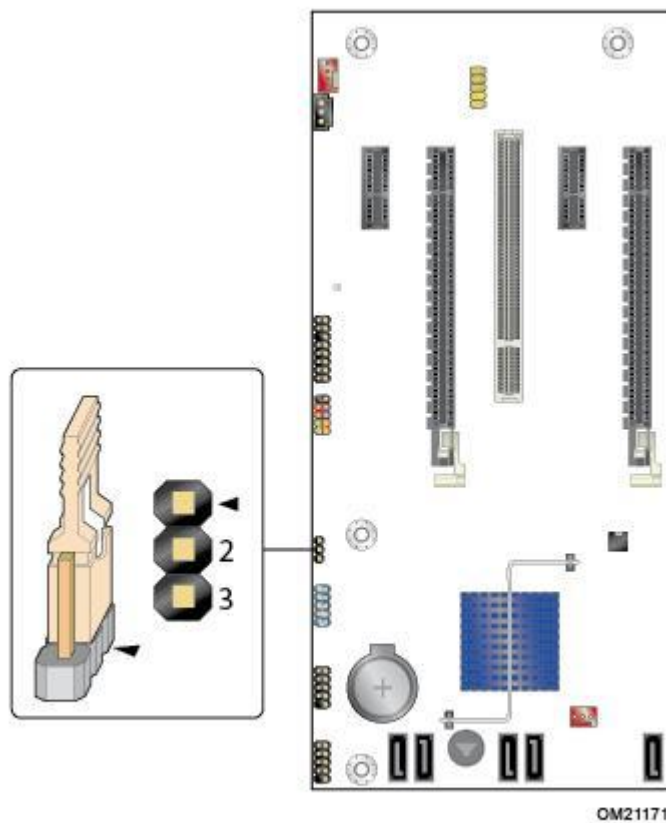
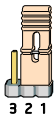
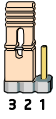
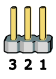


Figure 14. Location of the BIOS Setup Configuration Jumper Block

Table 27. BIOS Setup Configuration Jumper Settings

Function/Mode	Jumper Setting	Configuration
Normal	1-2 	The BIOS uses current configuration information and passwords for booting.
Configure	2-3 	After the POST runs, Setup runs automatically. The maintenance menu displays. Note that this Configure mode is the only way to clear the BIOS/CMOS settings. While in Configure mode, press F9 (restore defaults) to restore the BIOS/CMOS settings to their default values.
Recovery	None 	The BIOS attempts to recover the BIOS configuration. A recovery CD or flash drive is required.

2.4 Mechanical Considerations

2.4.1 Form Factor

The board is designed to fit into an ATX-form-factor chassis. Figure 15 illustrates the mechanical form factor for the board. Dimensions are given in inches [millimeters]. The outer dimensions are 12.00 inches by 9.60 inches [304.80 millimeters by 243.84 millimeters]. Location of the I/O connectors and mounting holes are in compliance with the ATX specification.

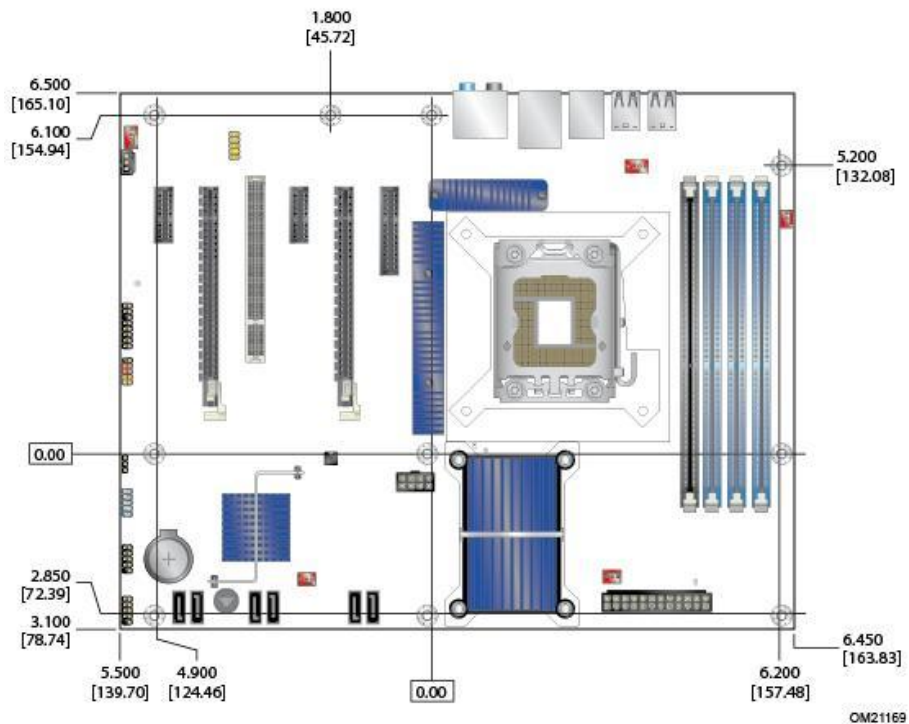


Figure 15. Board Dimensions

2.5 Electrical Considerations

2.5.1 Power Supply Considerations



CAUTION

The +5 V standby line from the power supply must be capable of providing adequate +5 V standby current. Failure to do so can damage the power supply. The total amount of standby current required depends on the wake devices supported and manufacturing options.

Additional power required depends on configurations selected by the integrator.

The power supply must comply with the indicated parameters of the ATX form factor specification.

- The potential relation between 3.3 VDC and +5 VDC power rails
- The current capability of the +5 VSB line
- All timing parameters
- All voltage tolerances

For example, for a system consisting of a supported 130-W processor (Section 1.4 for a list of supported processors), 1 GB DDR3 RAM, one high-end video card, one hard disk drive, one optical drive, and all board peripherals enabled, the minimum recommended power supply is 460 W. Table 28 lists the recommended power supply current values.

Table 28. Recommended Power Supply Current Values

Output Voltage	3.3 V	5 V	12 V1	12 V2	-12 V	5 VSB
Current	22 A	20 A	16 A	16 A	0.3 A	1.5 A

2.5.2 Fan Header Current Capability



CAUTION

You must connect the processor fan to the processor fan header—not to a chassis fan header. Connecting the processor fan to a chassis fan header may result in onboard component damage that will halt fan operation.

Table 29 lists the current capability of the fan headers.

Table 29. Fan Header Current Capability

Fan Header	Maximum Available Current
Processor fan	2.0 A
Front chassis fan	1.5 A
Rear chassis fan	1.5 A
Auxiliary rear chassis fan	2.0 A

2.5.3 Add-in Board Considerations

The board is designed to provide 2 A (average) of current for each add-in board from the +5 V rail. The total +5 V current draw for add-in boards for a fully loaded board (all six expansion slots filled) must not exceed the system's power supply +5 V maximum current or 14 A in total.

2.6 Thermal Considerations



CAUTION

A chassis with a maximum internal ambient temperature of 38°C at the processor fan inlet is a requirement. Use a processor heatsink that provides omni-directional airflow to maintain required airflow across the processor voltage regulator area.



CAUTION

Failure to ensure appropriate airflow may result in reduced performance of both the processor and/or voltage regulator or, in some instances, damage to the board. All responsibility for determining the adequacy of any thermal or system design remains solely with the reader. Intel makes no warranties or representations that merely following the instructions presented in this document will result in a system with adequate thermal performance.



CAUTION

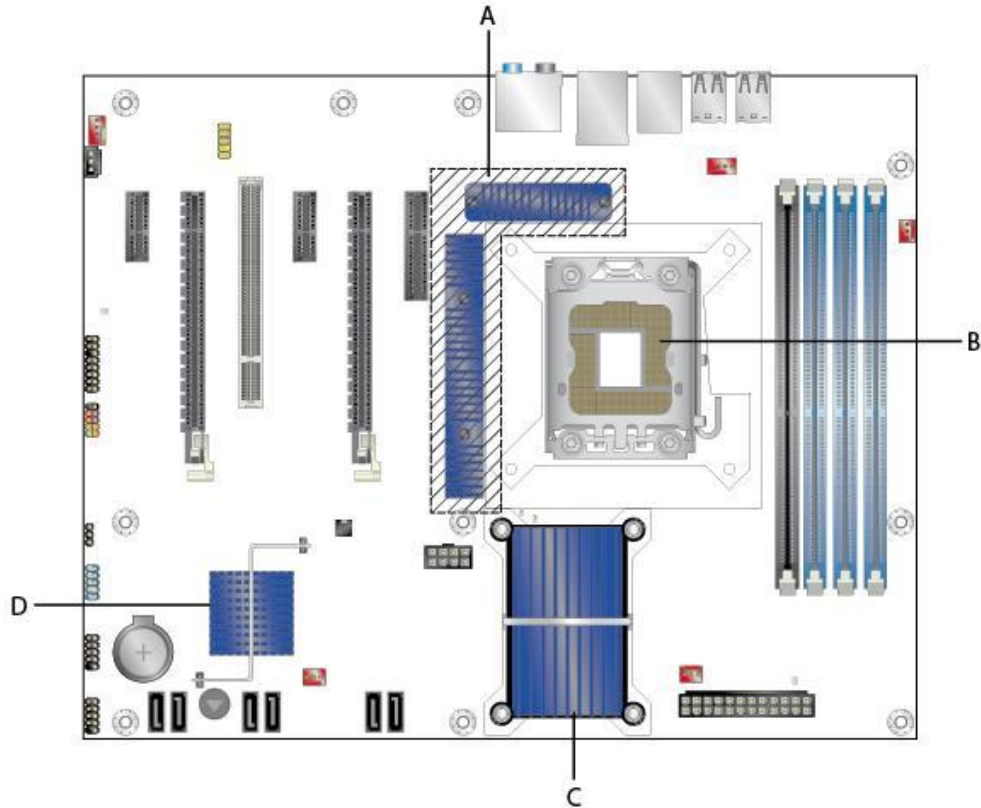
Ensure that the ambient temperature does not exceed the board's maximum operating temperature. Failure to do so could cause components to exceed their maximum case temperature and malfunction. For information about the maximum operating temperature, see the environmental specifications in Section 2.8.



CAUTION

Ensure that proper airflow is maintained in the processor voltage regulator circuit. Failure to do so may result in damage to the voltage regulator circuit. The processor voltage regulator area (Figure 16) can reach a temperature of up to 85°C in an open chassis.

Figure 16 shows the locations of the localized high temperature zones.



OM21170

Item	Description
A	Processor voltage regulator area
B	Processor
C	Intel® 82X58 IOH
D	Intel® 82801JIR ICH10R

Figure 16. Localized High Temperature Zones

Table 30 provides maximum case temperatures for the components sensitive to thermal changes. The operating temperature, current load, or operating frequency could affect case temperatures. Maximum case temperatures are important when considering proper airflow to cool the board.

Table 30. Thermal Considerations for Components

Component	Maximum Case Temperature
Processor	For processor case temperature, see processor datasheets and processor specification updates
Intel® 82X58 IOH	105° C (under bias)
Intel® 82801IJR (ICH10R)	105° C (under bias)

For information about processor datasheets and specification updates, refer to Section 1.3.

2.7 Reliability

The Mean Time Between Failures (MTBF) prediction is calculated using component and subassembly random failure rates. The calculation is based on the Bellcore Reliability Prediction Procedure, TR-NWT-000332, Issue 4, September 1991. The MTBF prediction is used to estimate repair rates and spare parts requirements.

The MTBF data is calculated from predicted data at 55 °C. The MTBF for the board is 84,330.82646 hours.

2.8 Environmental

Table 31 lists the environmental specifications for the board.

Table 31. Environmental Specifications

Parameter	Specification		
Temperature			
Non-Operating	-40° C to +70° C		
Operating	0° C to +55° C		
Shock			
Unpackaged	50 g trapezoidal waveform		
	Velocity change of 170 inches/second ²		
Packaged	Half sine 2 millisecond		
	Product Weight (pounds)	Free Fall (inches)	Velocity Change (inches/s ²)
	<20	36	167
	21-40	30	152
	41-80	24	136
	81-100	18	118
Vibration			
Unpackaged	5 Hz to 20 Hz: 0.01 g ² Hz sloping up to 0.02 g ² Hz		
	20 Hz to 500 Hz: 0.02 g ² Hz (flat)		
Packaged	5 Hz to 40 Hz: 0.015 g ² Hz (flat)		
	40 Hz to 500 Hz: 0.015 g ² Hz sloping down to 0.00015 g ² Hz		

3. Overview of BIOS Features

3.1 Introduction

The board uses an Intel BIOS stored in the Serial Peripheral Interface Flash Memory (SPI Flash) that you can update using a disk-based program. The SPI Flash contains the BIOS Setup program, POST, PCI auto-configuration utility, LAN EEPROM information, and Plug and Play support.

The BIOS displays a message during POST identifying the type of BIOS and a revision code.

The initial production BIOSs are identified as BPX5810J.86A.

When the BIOS Setup configuration jumper is set to configure mode and the computer is powered-up, the BIOS compares the CPU version and the microcode version in the BIOS and reports if the two match.

You can use the BIOS Setup program to view and change the BIOS settings for the computer. You access the BIOS Setup program by pressing the <F2> key after the Power-On Self-Test (POST) memory test begins but before the operating system boot begins. The menu bar is shown:

Main	Advanced	Performance	Security	Power	Boot	Exit
------	----------	-------------	----------	-------	------	------

Note: The maintenance menu displays only when the board is in Configure mode. Section 2.3 shows how to put the board in Configure mode.

Table 32 lists the BIOS Setup program menu features.

Table 32. BIOS Setup Program Menu Bar

Main	Advanced	Performance	Security	Power	Boot	Exit
Displays processor and memory configuration	Selects system options	Configures ECC support	Sets passwords and security features	Configures power management features and power supply controls	Selects boot options	Saves or discards changes to Setup program options

Table 33 lists the function keys available for menu screens.

Table 33. BIOS Setup Program Function Keys

BIOS Setup Program Function Key	Description
<←> or <→>	Selects a different menu screen (moves the cursor left or right)
<↑> or <↓>	Selects an item (moves the cursor up or down)
<Tab>	Selects a field (not implemented)
<Enter>	Executes command or selects the submenu
<F9>	Load the default configuration values for the current menu
<F10>	Save the current values and exits the BIOS Setup program
<Esc>	Exits the menu

3.2 BIOS Flash Memory Organization

The Serial Peripheral Interface Flash Memory (SPI Flash) includes a 16-Mbit (2048 KB) flash memory device.

3.3 Resource Configuration

3.3.1 PCI Auto-configuration

The BIOS can automatically configure PCI devices. PCI devices may be onboard or add-in cards. Auto-configuration lets a user insert or remove PCI cards without having to configure the system. When a user turns on the system after adding a PCI card, the BIOS automatically configures interrupts, I/O space, and other system resources. Any interrupts set to Available in the Setup are considered to be available for use by the add-in card.

3.4 System Management BIOS (SMBIOS)

SMBIOS is a Desktop Management Interface (DMI) compliant method for managing computers in a managed network.

The main component of SMBIOS is the Management Information Format (MIF) database, which contains information about the computing system and its components. Using SMBIOS, a system administrator can obtain the system types, capabilities, operational status, and installation dates for system components. The MIF database defines the data and provides the method for accessing this information.

The BIOS enables applications such as third-party management software to use SMBIOS. The BIOS stores and reports the following SMBIOS information:

- BIOS data, such as the BIOS revision level
- Fixed-system data, such as peripherals, serial numbers, and asset tags
- Resource data, such as memory size, cache size, and processor speed
- Dynamic data, such as event detection and error logging

Non-Plug and Play operating systems require an additional interface for obtaining the SMBIOS information. The BIOS supports an SMBIOS table interface for such operating systems. Using this support, an SMBIOS service-level application running on a non-Plug and Play operating system can obtain the SMBIOS information. You can find additional board information in the BIOS under the “Additional Information” header under the Main BIOS page.

3.5 Legacy USB Support

Legacy USB support enables USB devices to be used even when the operating system’s USB drivers are not yet available. Legacy USB support is used to access the BIOS Setup program, and to install an operating system that supports USB. By default, Legacy USB support is set to Enabled.

Legacy USB support operates as follows:

1. When you apply power to the computer, legacy support is disabled.
2. POST begins.
3. Legacy USB support is enabled by the BIOS allowing you to use a USB keyboard to enter and configure the BIOS Setup program and the maintenance menu.
4. POST completes.
5. The operating system loads. While the operating system is loading, USB keyboards and mice are recognized, which you can use to configure the operating system. (If Legacy USB support was set to Disabled in the BIOS Setup program, keyboards and mice are not recognized during this period.)
6. After the operating system loads the USB drivers, all legacy and non-legacy USB devices are recognized by the operating system. Legacy USB support from the BIOS is no longer used. You can access additional USB legacy feature options by using the Intel® Integrator Toolkit.

To install an operating system that supports USB, verify Legacy USB support in the BIOS Setup program is set to Enabled and follow the operating system’s installation instructions.

3.6 BIOS Updates

You can update the BIOS using the following utility, which is available on the Intel website: Intel® Flash Memory Update Utility: Requires booting from DOS. Using this utility, you can update the BIOS from a file on a hard disk, USB drive (flash drive or USB hard drive), or CD-ROM.

This utility verifies the updated BIOS matches the target system to prevent accidentally installing an incompatible BIOS.

3.6.1 Language Support

The BIOS Setup program and help messages are supported in US English. Additional languages are available in the Integrator's Toolkit utility. For details, check the Intel website.

3.6.2 Custom Splash Screen

During POST, an Intel® splash screen displays by default. You can augment this splash screen with a custom splash screen. You can use the Intel® Integrator's Toolkit available from Intel to create a custom splash screen.

Note: If you add a custom splash screen, it will share space with the Intel branded logo.

For information about...	Refer to
Intel® Integrator Toolkit	http://developer.intel.com/design/motherbd/software/itk/

3.7 BIOS Recovery

It is unlikely anything will interrupt a BIOS update; however, if an interruption occurs, the BIOS could be damaged. Table 34 lists the drives and media types you can and cannot use for BIOS recovery. The BIOS recovery media does not need to be made bootable.

Table 34. Acceptable Drives/Media Types for BIOS Recovery

Media Type	Can be used for BIOS recovery?
CD-ROM drive connected to the Parallel ATA interface	Yes
CD-ROM drive connected to the Serial ATA interface	Yes
USB removable drive (a USB Flash Drive, for example)	Yes
USB diskette drive (with a 1.44 MB diskette)	No
USB hard disk drive	No
Legacy diskette drive (with a 1.44 MB diskette) connected to the Legacy diskette drive interface	No

For information about BIOS recovery, refer to:

<http://www.intel.com/support/motherboards/desktop/sb/cs-023360.htm>

3.8 Boot Options

In the BIOS Setup program, the user can choose to boot from a diskette drive, hard drive, USB drive, USB flash drive, CD-ROM, or the network. The default setting is for the diskette drive to be the first boot device; the hard drive second; and the ATAPI CD-ROM third. If enabled, the last default boot device is the network.

3.8.1 CD-ROM Boot

Booting from CD-ROM is supported in compliance to the EI Torito bootable CD-ROM format specification. Under the Boot menu in the BIOS Setup program, ATAPI CD-ROM is listed as a boot device. Boot devices are defined in priority order. Accordingly, if there is not a bootable CD in the CD-ROM drive, the system attempts to boot from the next defined drive.

3.8.2 Network Boot

You can select the network as a boot device. This selection allows booting from the onboard LAN or a network add-in card with a remote boot ROM installed.

Pressing the <F12> key during POST automatically forces booting from the LAN. To use this key during POST, you must set the User Access Level in the BIOS Setup program's Security menu to **Full**.

3.8.3 Booting Without Attached Devices

For use in embedded applications, the BIOS was designed so that after passing the POST, the operating system loader is invoked even if the following devices are not present:

- Video adapter
- Keyboard
- Mouse

3.8.4 Changing the Default Boot Device During POST

Pressing the <F10> key during POST causes a boot device menu to display. This menu displays the list of available boot devices (as set in the BIOS setup program's Boot Device Priority Submenu). Table 35 lists the boot device menu options.

Table 35. Boot Device Menu Options

Boot Device Menu Function Keys	Description
<↑> or <↓>	Selects a default boot device
<Enter>	Exits the menu, saves changes, and boots from the selected device
<Esc>	Exits the menu without saving changes

3.9 Adjusting Boot Speed

These factors affect system boot speed:

- Selecting and configuring peripherals properly
- Optimized BIOS boot parameters

3.9.1 Peripheral Selection and Configuration

The following techniques help improve system boot speed:

- Choose a hard drive with parameters such as “power-up to data ready” less than eight seconds that minimize hard drive startup delays.
- Select a CD-ROM drive with a fast initialization rate. This rate can influence POST execution time.
- Eliminate unnecessary add-in adapter features, such as logo displays, screen repaints, or mode changes in POST. These features may add time to the boot process.
- Try different monitors. Some monitors initialize and communicate with the BIOS more quickly, which enables the system to boot more quickly.

3.9.2 BIOS Boot Optimizations

Use of the following BIOS Setup program settings reduces the POST execution time.

- In the Boot Menu, set the hard disk drive as the first boot device. As a result, the POST does not first seek a diskette drive, which saves about one second from the POST execution time.
- In the Peripheral Configuration submenu, disable the LAN device if it will not be used. This can reduce up to four seconds of option ROM boot time.

Note: It is possible to optimize the boot process to the point where the system boots so quickly that you do not see the Intel logo screen (or a custom logo splash screen). Monitors and hard disk drives with minimum initialization times can also contribute to a boot time that might be so fast that you cannot see necessary logo screens and POST messages. This boot time may be so fast that some drives might not be initialized at all. If this condition occurs, it is possible to introduce a programmable delay ranging from zero to 30 seconds using 5-second increments (using the Hard Disk Pre-Delay feature of the Advanced Menu in the Drive Configuration Submenu of the BIOS Setup program).

3.10 BIOS Security Features

The BIOS includes security features that restrict access to the BIOS Setup program and who can boot the computer. You can set the supervisor password and a user password for the BIOS Setup program and for booting the computer, with the following restrictions:

- **Supervisor Mode:** The supervisor password gives unrestricted access to view and change all the Setup options in the BIOS Setup program.
- **User Mode:** The user password gives restricted access to view and change Setup options in the BIOS Setup program.
- If only the supervisor password is set, pressing the <Enter> key at the password prompt of the BIOS Setup program allows the user restricted access to Setup.
- If both the supervisor and user passwords are set, users can enter either the supervisor password or the user password to access Setup. Users have access to Setup respective to which password is entered.
- Setting the user password restricts who can boot the computer. Before the computer is booted, the password prompt displays. If only the supervisor password is set, the computer boots without asking for a password. If both passwords are set, the user can enter either password to boot the computer.
- For enhanced security, use different passwords for the supervisor and user passwords.
- Valid password characters are A-Z, a-z, and 0-9. Passwords may be up to 16 characters in length.

Table 36 shows the effects of setting the supervisor password and user password. This table is for reference only and does not display on the screen.

Table 36. Supervisor and User Password Functions

Password Set	Supervisor Mode	User Mode	Setup Options	Password to Enter Setup	Password During Boot
Neither	Can change all options <small>(Note)</small>	Can change all options <small>(Note)</small>	None	None	None
Supervisor only	Can change all options	Can change a limited number of options	Supervisor Password	Supervisor	None
User only	N/A	Can change all options	Enter Password Clear User Password	User	User
Supervisor and user set	Can change all options	Can change a limited number of options	Supervisor Password Enter Password	Supervisor or user	Supervisor or user

Note: If no password is set, any user can change all Setup options.

4. Error Messages and Beep Codes

4.1 Speaker

The board-mounted speaker provides audible error code (beep code) information during POST. For information about the location of the onboard speaker, refer Figure 1.

4.2 BIOS Beep Codes

Whenever a recoverable error occurs during POST, the BIOS displays an error message describing the problem (Table 37).

Table 37. Beep Codes

Type	Pattern	Frequency
Memory error	Three long beeps	1280 Hz
Thermal warning	Four alternating beeps: High tone, low tone, high tone, low tone	High tone: 2000 Hz Low tone: 1600 Hz

4.3 BIOS Error Messages

Table 38 lists the error messages and provides a brief description of each.

Table 38. BIOS Error Messages

Error Message	Explanation
CMOS Battery Low	The battery may be losing power. Replace the battery soon.
CMOS Checksum Bad	The CMOS checksum is incorrect. CMOS memory may be corrupted. Run Setup to reset values.
Memory Size Decreased	Memory size decreased since the last boot. If no memory was removed, then the memory may be bad.
No Boot Device Available	System did not find a device to boot.

4.4 Port 80h POST Codes

During the POST, the BIOS generates diagnostic progress codes (POST codes) to I/O port 80h. If the POST fails, execution stops and the last POST code generated is left at port 80h. This code is useful for determining the point where an error occurred.

Displaying the POST codes requires a PCI bus add-in card, often called a POST card. The POST card can decode the port and display the contents on a medium such as a seven-segment display.

Note: You must install the POST card in PCI bus connector 1.

The following tables provide information about the POST codes generated by the BIOS:

- Table 39 lists the Port 80h POST code ranges.
- Table 40 lists the Port 80h POST codes themselves.
- Table 41 lists the Port 80h POST sequence.

Note: In the tables listed previously, all POST codes and range values are listed in hexadecimal.

Table 39. Port 80h POST Code Ranges

Range	Category/Subsystem
00 – 0F	Debug codes: Can be used by any PEIM/driver for debug.
10 – 1F	Host Processors: 1F is an unrecoverable CPU error.
20 – 2F	Memory/Chipset: 2F is no memory detected or no useful memory detected.
30 – 3F	Recovery: 3F indicated recovery failure.
40 – 4F	Reserved for future use.
50 – 5F	I/O Buses: PCI, USB, ATA, and so forth. 5F is an unrecoverable error. Start with PCI.
60 – 6F	Reserved for future use (for new buses).
70 – 7F	Output Devices: All output consoles. 7F is an unrecoverable error.
80 – 8F	Reserved for future use (new output console codes).
90 – 9F	Input devices: Keyboard/Mouse. 9F is an unrecoverable error.
A0 – AF	Reserved for future use (new input console codes).
B0 – BF	Boot Devices: Includes fixed media and removable media. BF is an unrecoverable error.
C0 – CF	Reserved for future use.
D0 – DF	Boot device selection.
E0 – FF	E0 – EE: Miscellaneous codes. See Table 40. EF: boot/S3 resume failure. F0 – FF: FF processor exception.

Table 40. Port 80h POST Codes

POST Code	Description of POST Operation
Host Processor	
10	Power-on initialization of the host processor (Boot Strap Processor)
11	Host processor cache initialization (including APs)
12	Starting Application processor initialization
13	SMM initialization
Chipset	
21	Initializing a chipset component
Memory	
22	Reading SPD from memory DIMMs
23	Detecting presence of memory DIMMs
24	Programming timing parameters in the memory controller and the DIMMs
25	Configuring memory
26	Optimizing memory settings
27	Initializing memory, such as ECC init
29	Memory testing completed
PCI Bus	
50	Enumerating PCI buses
51	Allocating resources to PCI bus
52	Hot Plug PCI controller initialization
53 – 57	Reserved for PCI Bus
USB	
58	Resetting USB bus
59	Reserved for USB
ATA/ATAPI/SATA	
5A	Resetting PATA/SATA bus and all devices
5B	Reserved for ATA
SMBus	
5C	Resetting SMBus
5D	Reserved for SMBus
Local Console	
70	Resetting the VGA controller
71	Disabling the VGA controller
72	Enabling the VGA controller
Remote Console	
78	Resetting the console controller
79	Disabling the console controller
7A	Enabling the console controller
Keyboard (USB)	
90	Resetting keyboard
91	Disabling keyboard

POST Code	Description of POST Operation
92	Detecting presence of keyboard
93	Enabling the keyboard
94	Clearing keyboard input buffer
95	Instructing keyboard controller to run Self Test (PS/2 only)
	Mouse (USB)
98	Resetting mouse
99	Disabling mouse
9A	Detecting presence of mouse
9B	Enabling mouse
	Fixed Media
B0	Resetting fixed media
B1	Disabling fixed media
B2	Detecting presence of a fixed media (IDE hard drive detection etc.)
B3	Enabling/configuring a fixed media
	BDS
Dy	Trying boot selection y (y=0 to 15)
	PEI Core
E0	Started dispatching PEIMs (emitted on first report of EFI_SW_PC_INIT_BEGIN EFI_SW_PEI_PC_HANDOFF_TO_NEXT)
E2	Permanent memory found
E1, E3	Reserved for PEI/PEIMs
	DXE Core
E4	Entered DXE phase
E5	Started dispatching drivers
E6	Started connecting drivers
	DXE Drivers
E7	Waiting for user input
E8	Checking password
E9	Entering BIOS setup
EB	Calling Legacy Option ROMs
	Runtime Phase/EFI OS Boot
F4	Entering Sleep state
F5	Exiting Sleep state
F8	EFI boot service ExitBootServices () was called
F9	EFI runtime service SetVirtualAddressMap () was called
FA	EFI runtime service ResetSystem () was called
	PEIMs/Recovery
30	Crisis Recovery has initiated per user request
31	Crisis Recovery has initiated by software (corrupt flash)
34	Loading recovery capsule
35	Handing off control to the recovery capsule
3F	Unable to recover

Table 41. Typical Port 80h POST Sequence

POST Code	Description
21	Initializing a chipset component
22	Reading SPD from memory DIMMs
23	Detecting presence of memory DIMMs
25	Configuring memory
28	Testing memory
34	Loading recovery capsule
E4	Entered DXE phase
12	Starting application processor initialization
13	SMM initialization
50	Enumerating PCI buses
51	Allocating resourced to PCI bus
92	Detecting the presence of the keyboard
90	Resetting keyboard
94	Clearing keyboard input buffer
95	Keyboard Self Test
EB	Calling Video BIOS
58	Resetting USB bus
5A	Resetting PATA/SATA bus and all devices
92	Detecting the presence of the keyboard
90	Resetting keyboard
94	Clearing keyboard input buffer
5A	Resetting PATA/SATA bus and all devices
28	Testing memory
90	Resetting keyboard
94	Clearing keyboard input buffer
E7	Waiting for user input
01	INT 19
00	Ready to boot

5. Regulatory Compliance and Battery Disposal Information

5.1 Regulatory Compliance

This section contains the following regulatory compliance information for Intel® Workstation Board WX58BP:

- Safety standards
- European Union Declaration of Conformity statement
- Product Ecology statements
- Electromagnetic Compatibility (EMC) standards
- Product certification markings

5.1.1 Safety Standards

Intel® Workstation Board WX58BP complies with the safety standards stated in Table 42 when correctly installed in a compatible host system.

Table 42. Safety Standards

Standard	Title
CSA/UL 60950-1, First Edition	Information Technology Equipment – Safety - Part 1: General Requirements (USA and Canada)
EN 60950-1:2006, Second Edition	Information Technology Equipment – Safety - Part 1: General Requirements (European Union)
IEC 60950-1:2005, Second Edition	Information Technology Equipment – Safety - Part 1: General Requirements (International)

5.1.2 European Union Declaration of Conformity Statement

We, Intel Corporation, declare under our sole responsibility that the product Intel® Workstation Board WX58BP is in conformity with all applicable essential requirements necessary for CE marking, following the provisions of the European Council Directive 2004/108/EC (EMC Directive) and 2006/95/EC (Low Voltage Directive).

The product is properly CE marked demonstrating this conformity and is for distribution within all member states of the EU with no restrictions.



This product follows the provisions of the European Directives 2004/108/EC and 2006/95/EC.

Čeština Tento výrobek odpovídá požadavkům evropských směrnic 2004/108/EC a 2006/95/EC.

Dansk Dette produkt er i overensstemmelse med det europæiske direktiv 2004/108/EC & 2006/95/EC.

Dutch Dit product is in navolging van de bepalingen van Europees Directief 2004/108/EC & 2006/95/EC.

Eesti Antud toode vastab Euroopa direktiivides 2004/108/EC ja 2006/95/EC kehtestatud nõuetele.

Suomi Tämä tuote noudattaa EU-direktiivin 2004/108/EC & 2006/95/EC määräyksiä.

Français Ce produit est conforme aux exigences de la Directive Européenne 2004/108/EC & 2006/95/EC.

Deutsch Dieses Produkt entspricht den Bestimmungen der Europäischen Richtlinie 2004/108/EC & 2006/95/EC.

Ελληνικά Το παρόν προϊόν ακολουθεί τις διατάξεις των Ευρωπαϊκών Οδηγιών 2004/108/EC και 2006/95/EC.

Magyar E termék megfelel a 2004/108/EC és 2006/95/EC Európai Irányelv előírásainak.

Icelandic Þessi vara stenst reglugerð Evrópska Efnahags Bandalagsins númer 2004/108/EC & 2006/95/EC.

Italiano Questo prodotto è conforme alla Direttiva Europea 2004/108/EC & 2006/95/EC.

Latviešu Šis produkts atbilst Eiropas Direktīvu 2004/108/EC un 2006/95/EC noteikumiem.

Lietuvių Šis produktas atitinka Europos direktyvų 2004/108/EC ir 2006/95/EC nuostatas.

Malti Dan il-prodott hu konformi mal-provvedimenti tad-Direttivi Ewropej 2004/108/EC u 2006/95/EC.

Norsk Dette produktet er i henhold til bestemmelsene i det europeiske direktivet 2004/108/EC & 2006/95/EC.

Polski Niniejszy produkt jest zgodny z postanowieniami Dyrektyw Unii Europejskiej 2004/108/EC i 73/23/EWG.

Portuguese Este produto cumpre com as normas da Diretiva Europeia 2004/108/EC & 2006/95/EC.

Español Este producto cumple con las normas del Directivo Europeo 2004/108/EC & 2006/95/EC.

Slovensky Tento produkt je v súlade s ustanoveniami európskych direktív 2004/108/EC a 2006/95/EC.

Slovenščina Izdelek je skladen z določbami evropskih direktiv 2004/108/EC in 2006/95/EC.

Svenska Denna produkt har tillverkats i enlighet med EG-direktiv 2004/108/EC & 2006/95/EC.

Türkçe Bu ürün, Avrupa Birliği'nin 2004/108/EC ve 2006/95/EC yönergelerine uyar.

5.1.3 Product Ecology Statements

The following information is provided to address worldwide product ecology concerns and regulations.

5.1.3.1 Disposal Considerations

This product contains the following materials that may be regulated upon disposal: lead solder on the printed wiring board assembly.

5.1.3.2 Recycling Considerations

As part of its commitment to environmental responsibility, Intel has implemented the Intel Product Recycling Program to allow retail consumers of Intel's branded products to return used products to selected locations for proper recycling.

Please consult the http://www.intel.com/intel/other/ehs/product_ecology for the details of this program, including the scope of covered products, available locations, shipping instructions, terms and conditions, etc.

中文

作为其对环境责任之承诺的部分，英特尔已实施 Intel Product Recycling Program（英特尔产品回收计划），以允许英特尔品牌产品的零售消费者将使用过的产品退还至指定地点作恰当的重复使用处理。

请参考http://www.intel.com/intel/other/ehs/product_ecology

了解此计划的详情，包括涉及产品之范围、回收地点、运送指导、条款和条件等。

Deutsch

Als Teil von Intels Engagement für den Umweltschutz hat das Unternehmen das Intel Produkt-Recyclingprogramm implementiert, das Einzelhandelskunden von Intel Markenprodukten ermöglicht, gebrauchte Produkte an ausgewählte Standorte für ordnungsgemäßes Recycling zurückzugeben.

Details zu diesem Programm, einschließlich der darin eingeschlossenen Produkte, verfügbaren Standorte, Versandanweisungen, Bedingungen usw., finden Sie auf der http://www.intel.com/intel/other/ehs/product_ecology

Español

Como parte de su compromiso de responsabilidad medioambiental, Intel ha implantado el programa de reciclaje de productos Intel, que permite que los consumidores al detalle de los productos Intel devuelvan los productos usados en los lugares seleccionados para su correspondiente reciclado.

Consulte la http://www.intel.com/intel/other/ehs/product_ecology para ver los detalles del programa, que incluye los productos que abarca, los lugares disponibles, instrucciones de envío, términos y condiciones, etc.

Français

Dans le cadre de son engagement pour la protection de l'environnement, Intel a mis en œuvre le programme Intel Product Recycling Program (Programme de recyclage des produits Intel) pour permettre aux consommateurs de produits Intel de recycler les produits usés en les retournant à des adresses spécifiées.

Visitez la page Web http://www.intel.com/intel/other/ehs/product_ecology pour en savoir plus sur ce programme, à savoir les produits concernés, les adresses disponibles, les instructions d'expédition, les conditions générales, etc.

日本語

インテルでは、環境保護活動の一環として、使い終えたインテルブランド製品を指定の場所へ返送していただき、リサイクルを適切に行えるよう、インテル製品リサイクルプログラムを発足させました。

対象製品、返送先、返送方法、ご利用規約など、このプログラムの詳細情報は、http://www.intel.com/intel/other/ehs/product_ecology (英語)をご覧ください。

Malay

Sebagai sebahagian daripada komitmennya terhadap tanggungjawab persekitaran, Intel telah melaksanakan Program Kitar Semula Produk untuk membenarkan pengguna-pengguna runcit produk jenama Intel memulangkan produk terguna ke lokasi-lokasi terpilih untuk dikitar semula dengan betul.

Sila rujuk http://www.intel.com/intel/other/ehs/product_ecology untuk mendapatkan butir-butir program ini, termasuklah skop produk yang dirangkumi, lokasi-lokasi tersedia, arahan penghantaran, terma & syarat, dsb.

Portuguese

Como parte deste compromisso com o respeito ao ambiente, a Intel implementou o Programa de Reciclagem de Produtos para que os consumidores finais possam enviar produtos Intel usados para locais selecionados, onde esses produtos são reciclados de maneira adequada.

Consulte o site http://www.intel.com/intel/other/ehs/product_ecology (em Inglês) para obter os detalhes sobre este programa, inclusive o escopo dos produtos cobertos, os locais disponíveis, as instruções de envio, os termos e condições, etc.

Russian

В качестве части своих обязательств к окружающей среде, в Intel создана программа утилизации продукции Intel (Product Recycling Program) для предоставления конечным пользователям марок продукции Intel возможности возврата используемой продукции в специализированные пункты для должной утилизации.

Пожалуйста, обратитесь на веб-сайт http://www.intel.com/intel/other/ehs/product_ecology за информацией об этой программе, принимаемых продуктах, местах приема, инструкциях об отправке, положениях и условиях и т.д.

Türkçe

Intel, çevre sorumluluğuna bağlılığının bir parçası olarak, perakende tüketicilerin Intel markalı kullanılmış ürünlerini belirlenmiş merkezlere iade edip uygun şekilde geri dönüştürmesini amaçlayan Intel Ürünleri Geri Dönüşüm Programı'nı uygulamaya koymuştur.

Bu programın ürün kapsamı, ürün iade merkezleri, nakliye talimatları, kayıtlar ve şartlar v.s dahil bütün ayrıntılarını öğrenmek için lütfen http://www.intel.com/intel/other/ehs/product_ecology Web sayfasına gidin.

5.1.3.3 Lead Free Workstation Board




This Intel® Workstation Board is a European Union Restriction of Hazardous Substances (EU RoHS Directive 2002/95/EC) compliant product. EU RoHS restricts the use of six materials. One of the six restricted materials is lead.

This Intel® Workstation Board is lead free although certain discrete components used on the board contain a small amount of lead which is necessary for component performance and/or reliability. This Intel® Workstation Board is referred to as “Lead-free second level interconnect.” The board substrate and the solder connections from the board to the components (second-level connections) are all lead free.

China bans the same substances and has the same limits as EU RoHS; however it requires different product marking and controlled substance information. The required mark shows the Environmental Friendly Usage Period (EFUP). The EFUP is defined as the number of years for which controlled listed substances will not leak or chemically deteriorate while in the product.

Table 43 shows the various forms of the “Lead-Free 2nd Level Interconnect” mark as it appears on the board and accompanying collateral.

Table 43. Lead-Free Board Markings

Description	Mark
<p>Lead-Free 2nd Level Interconnect: This symbol is used to identify electrical and electronic assemblies and components in which the lead (Pb) concentration level in the board substrate and the solder connections from the board to the components (second-level interconnect) is not greater than 0.1% by weight (1000 ppm).</p>	<div style="border: 1px solid black; padding: 5px; margin-bottom: 10px;">  </div> <p style="text-align: center;">or</p> <div style="border: 1px solid black; padding: 5px; margin-bottom: 10px;">  </div> <p style="text-align: center;">or</p> <div style="border: 1px solid black; padding: 5px;">  </div>

5.1.4 EMC Regulations

Intel® Workstation Board WX58BP complies with the EMC regulations stated in Table 44 when correctly installed in a compatible host system.

Table 44. EMC Regulations

Regulation	Title
FCC 47 CFR Part 15, Subpart B	Title 47 of the Code of Federal Regulations, Part15, Subpart B, Radio Frequency Devices. (USA)
ICES-003 Issue 4 (Class B)	Interference-Causing Equipment Standard, Digital Apparatus. (Canada)
EN55022:2006 (Class B)	Limits and methods of measurement of Radio Interference Characteristics of Information Technology Equipment. (European Union)
EN55024:1998 (Class B)	Information Technology Equipment – Immunity Characteristics Limits and methods of measurement. (European Union)
EN55022:2006 (Class B)	Australian Communications Authority, Standard for Electromagnetic Compatibility. (Australia and New Zealand)
CISPR 22:2005 +A1:2005 +A2:2006 (Class B)	Limits and methods of measurement of Radio Disturbance Characteristics of Information Technology Equipment. (International)
CISPR 24:1997 +A1:2001 +A2:2002 (Class B)	Information Technology Equipment – Immunity Characteristics – Limits and Methods of Measurement. (International)
VCCI V-3/2007.04, V-4/2007.04, Class B	Voluntary Control for Interference by Information Technology Equipment. (Japan)

Japanese Kanji statement translation: this is a Class B product based on the standard of the Voluntary Control Council for Interference from Information Technology Equipment (VCCI). If this is used near a radio or television receiver in a domestic environment, it may cause radio interference. Install and use the equipment according to the instruction manual.

この装置は、情報処理装置等電波障害自主規制協議会（VCCI）の基準に基づくクラスB情報技術装置です。この装置は、家庭環境で使用することを目的としていますが、この装置がラジオやテレビジョン受信機に近接して使用されると、受信障害を引き起こすことがあります。
取扱説明書に従って正しい取り扱いをして下さい。









Korean Class B statement translation: this is household equipment that is certified to comply with EMC requirements. You may use this equipment in residential environments and other non-residential environments.

이 기기는 가정용으로 전자파적합등록을 한 기기로서
주거지역에서는 물론 모든 지역에서 사용할 수 있습니다.

5.1.5 Product Certification Markings (Board Level)

Intel® Workstation Board WX58BP has the product certification markings shown in Table 45:

Table 45. Product Certification Markings

Description	Mark
UL joint US/Canada Recognized Component mark. Includes adjacent UL file number for Intel® boards: E210882.	
FCC Declaration of Conformity logo mark for Class B equipment. Includes Intel name and WX58BP model designation.	
CE mark. Declaring compliance to European Union (EU) EMC directive and Low Voltage directive.	
Australian Communications Authority (ACA) and New Zealand Radio Spectrum Management (NZ RSM) C-tick mark. Includes adjacent Intel supplier code number, N-232.	
Japan VCCI (Voluntary Control Council for Interference) mark.	
S. Korea MIC (Ministry of Information and Communication) mark. Includes adjacent MIC certification number: CPU-WX58BP (B)	
Taiwan BSMI (Bureau of Standards, Metrology and Inspections) mark. Includes adjacent Intel company number, D33025.	
Printed wiring board manufacturer's recognition mark. Consists of a unique UL recognized manufacturer's logo, along with a flammability rating (solder side).	V-0
China RoHS/Environmentally Friendly Use Period Logo: This is an example of the symbol used on Intel Boards and associated collateral. The color of the mark may vary depending upon the application. The Environmental Friendly Usage Period (EFUP) for Intel Boards has been determined to be 10 years.	

5.2 Battery Disposal Information



CAUTION

Risk of explosion if the battery is replaced with an incorrect type. Batteries should be recycled where possible. Disposal of used batteries must be in accordance with local environmental regulations.



PRECAUTION

Risque d'explosion si la pile usagée est remplacée par une pile de type incorrect. Les piles usagées doivent être recyclées dans la mesure du possible. La mise au rebut des piles usagées doit respecter les réglementations locales en vigueur en matière de protection de l'environnement.



FORHOLDSREGEL

Eksplussionsfare, hvis batteriet erstattes med et batteri af en forkert type. Batterier bør om muligt genbruges. Bortskaffelse af brugte batterier bør foregå i overensstemmelse med gældende miljølovgivning.



OBS!

Det kan oppstå eksplosjonsfare hvis batteriet skiftes ut med feil type. Brukte batterier bør kastes i henhold til gjeldende miljølovgivning.



VIKTIGT!

Risk för explosion om batteriet ersätts med felaktig batterityp. Batterier ska kasseras enligt de lokala miljövårdsbestämmelserna.



VARO

Räjähdyksvaara, jos pariston tyyppi on väärä. Paristot on kierrätettävä, jos se on mahdollista. Käytetyt paristot on hävitettävä paikallisten ympäristömääräysten mukaisesti.



VORSICHT

Bei falschem Einsetzen einer neuen Batterie besteht Explosionsgefahr. Die Batterie darf nur durch denselben oder einen entsprechenden, vom Hersteller empfohlenen Batterietyp ersetzt werden. Entsorgen Sie verbrauchte Batterien den Anweisungen des Herstellers entsprechend.



AVVERTIMENTO

Esiste il pericolo di un esplosione se la pila non viene sostituita in modo corretto. Utilizzare solo pile uguali o di tipo equivalente a quelle consigliate dal produttore. Per disfarsi delle pile usate, seguire le istruzioni del produttore.

**PRECAUCIÓN**

Existe peligro de explosión si la pila no se cambia de forma adecuada. Utilice solamente pilas iguales o del mismo tipo que las recomendadas por el fabricante del equipo. Para deshacerse de las pilas usadas, siga igualmente las instrucciones del fabricante.

**WAARSCHUWING**

Er bestaat ontploffingsgevaar als de batterij wordt vervangen door een onjuist type batterij. Batterijen moeten zoveel mogelijk worden gerecycled. Houd u bij het weggoien van gebruikte batterijen aan de plaatselijke milieuwetgeving.

**ATENÇÃO**

Haverá risco de explosão se a bateria for substituída por um tipo de bateria incorreto. As baterias devem ser recicladas nos locais apropriados. A eliminação de baterias usadas deve ser feita de acordo com as regulamentações ambientais da região.

**AŚ CIAROŽ ZNAŚ Ć**

Існуе рызыка выбуху, калі заменены акумулятар неправільнага тыпу. Акумулятары павінны, па магчымасці, перепрацоўвацца. Пазбаўляцца ад старых акумулятараў патрэбна згодна з мясцовым заканадаўствам па экалогіі.

**UPOZORNĚNÍ**

V případě výměny baterie za nesprávný druh může dojít k výbuchu. Je-li to možné, baterie by měly být recyklovány. Baterie je třeba zlikvidovat v souladu s místními předpisy o životním prostředí.

**Προσοχή**

Υπάρχει κίνδυνος για έκρηξη σε περίπτωση που η μπαταρία αντικατασταθεί από μία λανθασμένου τύπου. Οι μπαταρίες θα πρέπει να ανακυκλώνονται όταν κάτι τέτοιο είναι δυνατό. Η απόρριψη των χρησιμοποιημένων μπαταριών πρέπει να γίνεται σύμφωνα με τους κατά τόπο περιβαλλοντικούς κανονισμούς.

**VIGYAZAT**

Ha a telepet nem a megfelelő típusú telepre cseréli, az felrobbanhat. A telepeket lehetőség szerint újra kell hasznosítani. A használt telepeket a helyi környezetvédelmi előírásoknak megfelelően kell kiselejtezni.

**注意**

異なる種類の電池を使用すると、燃焼の危険があります。リサイクルが可能な地域であれば、電池をリサイクルしてください。使用後の電池を破棄する際には、地域の環境規制に従ってください。

**AWAS**

Risiko letupan wujud jika bateri digantikan dengan jenis yang tidak betul. Bateri sepatutnya dikitar semula jika boleh. Pelupusan bateri terpakai mestilah mematuhi peraturan alam sekitar tempatan.

**OSTRZEŻ ENIE**

Istnieje niebezpieczeństwo wybuchu w przypadku zastosowania niewłaściwego typu baterii. Zużyte baterie należy w miarę możliwości utylizować zgodnie z odpowiednimi przepisami ochrony środowiska.

**PRECAUȚ IE**

Risc de explozie, dacă bateria este înlocuită cu un tip de baterie necorespunzător. Bateriile trebuie reciclate, dacă este posibil. Depozitarea bateriilor uzate trebuie să respecte reglementările locale privind protecția mediului.

**В Н И М А Н И Е**

При использовании батареи несоответствующего типа существует риск ее взрыва. Батареи должны быть утилизированы по возможности. Утилизация батарей должна проводиться по правилам, соответствующим местным требованиям.

**UPOZORNENIE**

Ak batériu vymeníte za nesprávny typ, hrozí nebezpečenstvo jej výbuchu. Batérie by sa mali podľa možnosti vždy recyklovať. Likvidácia použitých batérií sa musí vykonávať v súlade s miestnymi predpismi na ochranu životného prostredia.

**POZOR**

Zamenjava baterije z baterijo drugačnega tipa lahko povzroči eksplozijo. Če je mogoče, baterije reciklirajte. Rabljene baterije zavrzite v skladu z lokalnimi okoljevarstvenimi predpisi.

**คำเตือน**

ระวังการระเบิดที่เกิดจากเปลี่ยนแบตเตอรี่ผิดประเภท หากเป็นไปได้ ควรนำแบตเตอรี่ไปรีไซเคิล การทิ้งแบตเตอรี่ใช้แล้วต้องเป็นไปตามกฎข้อบังคับด้านสิ่งแวดล้อมของท้องถิ่น.

**UYARI**

Yanlış türde pil takıldığında patlama riski vardır. Piller mümkün olduğunda geri dönüştürülmelidir. Kullanılmış piller, yerel çevre yasalarına uygun olarak atılmalıdır.

**О С Т О Р О Г А**

Використовуйте батареї правильного типу, інакше існуватиме ризик вибуху. Якщо можливо, використані батареї слід утилізувати. Утилізація використаних батарей має бути виконана згідно місцевих норм, що регулюють охорону довкілля.

**UPOZORNĚNÍ**

V případě výměny baterie za nesprávný druh může dojít k výbuchu. Je-li to možné, baterie by měly být recyklovány. Baterie je třeba zlikvidovat v souladu s místními předpisy o životním prostředí.

**ETTEVAATUST**

Kui patarei asendatakse uue ebasobivat tüüpi patareiga, võib tekkida plahvatusoht. Tühjad patareid tuleb võimaluse korral viia vastavasse kogumispunkti. Tühjade patareide äraviskamisel tuleb järgida kohalikke keskkonnakaitse alaseid reegleid.

**FIGYELMEZTETÉS**

Ha az elemet nem a megfelelő típusúra cseréli, felrobbanhat. Az elemeket lehetőség szerint újra kell hasznosítani. A használt elemeket a helyi környezetvédelmi előírásoknak megfelelően kell kiselejtezni.

**UZMANĪBU**

Pastāv eksplozijas risks, ja baterijas tiek nomainītas ar nepareiza veida baterijām. Ja iespējams, baterijas vajadzētu nodot attiecīgos pieņemšanas punktus. Bateriju izmešanai atkritumos jānotiek saskaņā ar vietējiem vides aizsardzības noteikumiem.

**DĒMESIO**

Naudojant netinkamo tipo baterijas įrenginys gali sprogti. Kai tik įmanoma, baterijas reikia naudoti pakartotinai. Panaudotas baterijas išmesti būtina pagal vietinius aplinkos apsaugos nuostatus.

**ATTENZJONI**

Riskju ta' splużjoni jekk il-batterija tinbidel b'tip ta' batterija mhux korrett. Il-batteriji għandhom jiġu riċiklati fejn hu possibbli. Ir-rimi ta' batteriji użati għandu jsir skond ir-regolamenti ambjentali lokali.

**OSTRZEŻENIE**

Ryzyko wybuchu w przypadku wymiany na baterie niewłaściwego typu. W miarę możliwości baterie należy poddać recyklingowi. Zużytych baterii należy pozbywać się zgodnie z lokalnie obowiązującymi przepisami w zakresie ochrony środowiska.

Glossary

This appendix contains important terms used in the preceding chapters. For ease of use, numeric entries are listed first (e.g., “82460GX”) with alpha entries following (e.g., “AGP 4x”). Acronyms are then entered in their respective place, with non-acronyms following.

Term	Definition
ACPI	Advanced Configuration and Power Interface
AP	Application Processor
APIC	Advanced Programmable Interrupt Control
ASIC	Application Specific Integrated Circuit
BIOS	Basic Input/Output System
BIST	Built-In Self Test
BMC	Baseboard Management Controller
Bridge	Circuitry connecting one computer bus to another, allowing an agent on one to access the other
BSP	Bootstrap Processor
byte	8-bit quantity.
CBC	Chassis Bridge Controller (A microcontroller connected to one or more other CBCs, together they bridge the IPMB buses of multiple chassis.
CEK	Common Enabling Kit
CHAP	Challenge Handshake Authentication Protocol
CMOS	In terms of this specification, this describes the PC-AT compatible region of battery-backed 128 bytes of memory, which normally resides on the server board.
DPC	Direct Platform Control
EEPROM	Electrically Erasable Programmable Read-Only Memory
EHCI	Enhanced Host Controller Interface
EMP	Emergency Management Port
EPS	External Product Specification
FMB	Flexible Mother Board
FMC	Flex Management Connector
FMM	Flex Management Module
FRB	Fault Resilient Booting
FRU	Field Replaceable Unit
FSB	Front Side Bus
GB	1024MB
GPIO	General Purpose I/O
GTL	Gunning Transceiver Logic
HSC	Hot-Swap Controller
Hz	Hertz (1 cycle/second)
I2C	Inter-Integrated Circuit Bus
IA	Intel® Architecture
IBF	Input Buffer
ICH	I/O Controller Hub
ICMB	Intelligent Chassis Management Bus
IERR	Internal Error
IFB	I/O and Firmware Bridge

Term	Definition
INTR	Interrupt
IP	Internet Protocol
IPMB	Intelligent Platform Management Bus
IPMI	Intelligent Platform Management Interface
IR	Infrared
ITP	In-Target Probe
KB	1024 bytes
KCS	Keyboard Controller Style
LAN	Local Area Network
LCD	Liquid Crystal Display
LED	Light Emitting Diode
LPC	Low Pin Count
LUN	Logical Unit Number
MAC	Media Access Control
MB	1024KB
mBMC	National Semiconductor® PC87431x mini BMC
MCH	Memory Controller Hub
MD2	Message Digest 2 – Hashing Algorithm
MD5	Message Digest 5 – Hashing Algorithm – Higher Security
ms	milliseconds
MTTR	Memory Tpe Range Register
Mux	Multiplexor
NIC	Network Interface Controller
NMI	Nonmaskable Interrupt
OBF	Output Buffer
OEM	Original Equipment Manufacturer
Ohm	Unit of electrical resistance
PEF	Platform Event Filtering
PEP	Platform Event Paging
PIA	Platform Information Area (This feature configures the firmware for the platform hardware)
PLD	Programmable Logic Device
PMI	Platform Management Interrupt
POST	Power-On Self Test
PSMI	Power Supply Management Interface
PWM	Pulse-Width Modulation
RAM	Random Access Memory
RASUM	Reliability, Availability, Serviceability, Usability, and Manageability
RISC	Reduced Instruction Set Computing
ROM	Read Only Memory
RTC	Real-Time Clock (Component of ICH peripheral chip on the server board)
SDR	Sensor Data Record
SECC	Single Edge Connector Cartridge
SEEPROM	Serial Electrically Erasable Programmable Read-Only Memory
SEL	System Event Log

Term	Definition
SIO	Server Input/Output
SMI	Server Management Interrupt (SMI is the highest priority nonmaskable interrupt)
SMM	Server Management Mode
SMS	Server Management Software
SNMP	Simple Network Management Protocol
TBD	To Be Determined
TIM	Thermal Interface Material
UART	Universal Asynchronous Receiver/Transmitter
UDP	User Datagram Protocol
UHCI	Universal Host Controller Interface
UTC	Universal time coordinare
VID	Voltage Identification
VRD	Voltage Regulator Down
Word	16-bit quantity
ZIF	Zero Insertion Force